

# Technical Application Guide for UP-SHINE LED LINEAR UP-DB19-8-1.6W

# Introduction



Up-shine cabinet light designed in aluminum shell which provides excellent thermal management. Adopts high efficiency LED. The curved PMMA lens has been used to reach 50°\*100° beam angle. It can be seamlessly connected or separately installed according to different needs of customers.

## Features

1. The shell is composed of aluminum and lens (PMMA);
2. Extremely small dimensions, width: 10mm, height :10mm;
3. Easy installation: with spring structure;
4. Beam angle: 50°\*100°;
5. life span: 50000 hours;
6. Size optional: 8"(1.6 W), 12"(2.4 W), 34"(7.2 W) and 46"(9.7 W);
7. The lamp can be directly connected or through the terminal connection cable.
8. High light efficiency, energy saving;
9. Comply with 24V constant voltage power supply;
10. Optional Inline Dimmer switch with 4 option light level: 100%, 50%, 25%, off;
11. Triac dimmable is available.

## Application notes

- Suitable for dry location use only
- The lamp must be installed by professional electrician
- Ensure the power supply is switched off before fitting this product
- Do not touch the lamp when in use
- Keep away from hot steam and corrosive gas

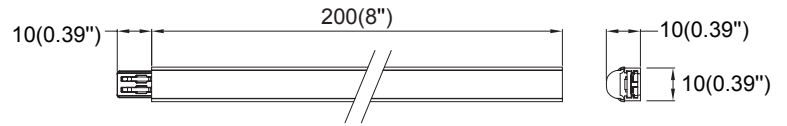
## Application Areas

It is designed for general lighting applications in office, supermarket, shop, school, hotel, etc. It is also widely used for public areas, such as stairway, lobby, reception, corridors etc.

## Certificate



# Product Information



## Technical Specifications

Model	Voltage	Power	Power Factor	Lumen (±5%)	Beam angle	CCT	Lifespan	CRI	Dimension
UP-DB19-8-1.6W	AC100-240V	1.6W	≥0.5	150	50°*100°	3000K	50000h	≥80	10*10*200mm
UP-DB19-8-1.6W	AC100-240V	1.6W	≥0.5	155	50°*100°	3500K	50000h	≥80	10*10*200mm
UP-DB19-8-1.6W	AC100-240V	1.6W	≥0.5	155	50°*100°	4000K	50000h	≥80	10*10*200mm
UP-DB19-8-1.6W	AC100-240V	1.6W	≥0.5	155	50°*100°	5000K	50000h	≥80	10*10*200mm

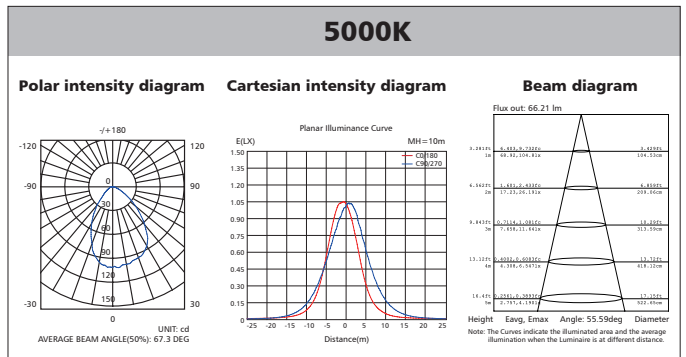
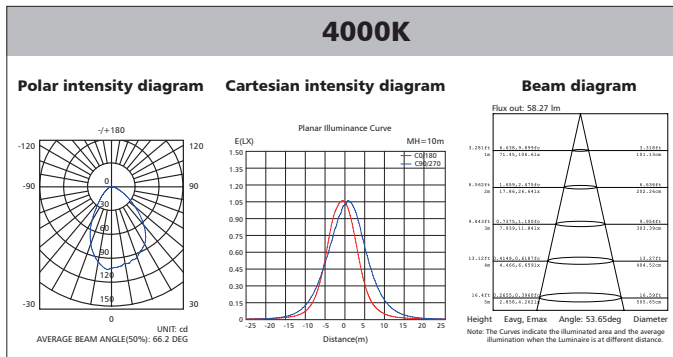
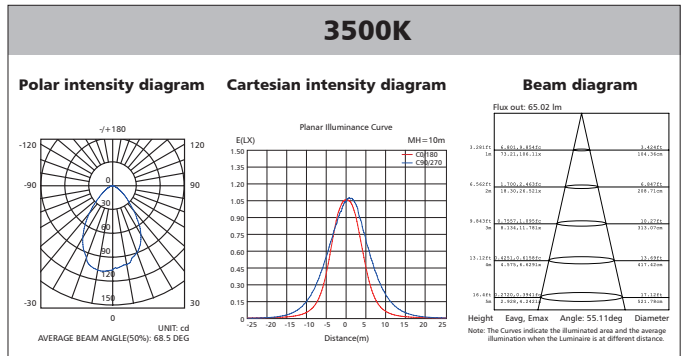
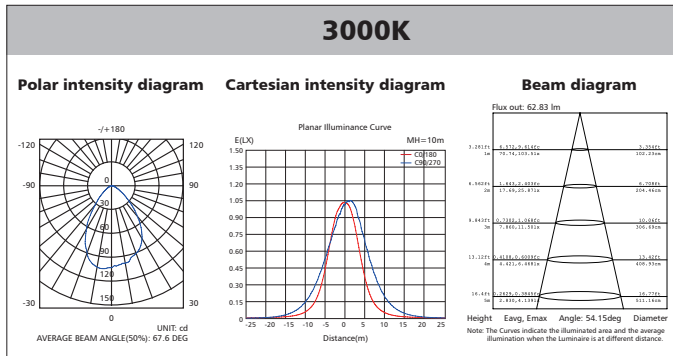
## Driver data Sheet

Driver data	Dim	Non dim
Input rated Voltage	AC120V	AC100-240V
Frequency	60Hz	50/60Hz
Input Voltage	AC100-130V	AC85-265V
Efficiency	≥85%	≥85%
Total load Wattage	80W±1W	72W±1W
Power Factor	≥0.5	≥0.5
Rated input current	≤2A	≤2A
Full load output Voltage	DC24V	DC24V
Rated output current	3.33A	3A
Output current range	3.33A±5%	3A±5%
Power tolerance	±5%	±5%
Current output tolerance	±5%	±5%
Dimming range	8%-100%	—
Dimmer	Triac dimmers	—
Short circuit protection	PASS	PASS
Over voltage protection	PASS	PASS
Over temperature protection	PASS	PASS
THD	≤20%	≤20%
Withstand voltage	—	—

## Fixture Compatibility

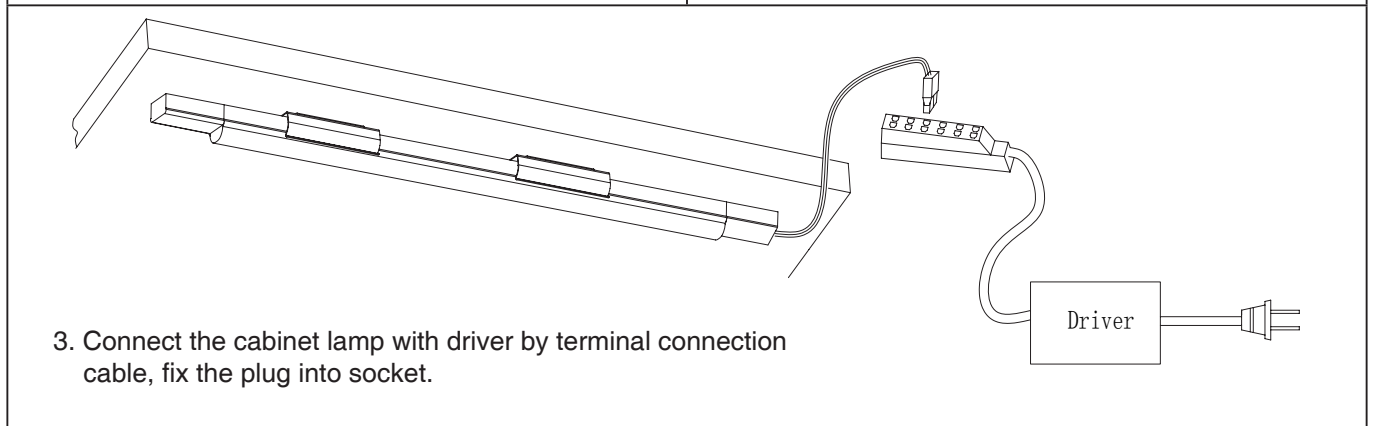
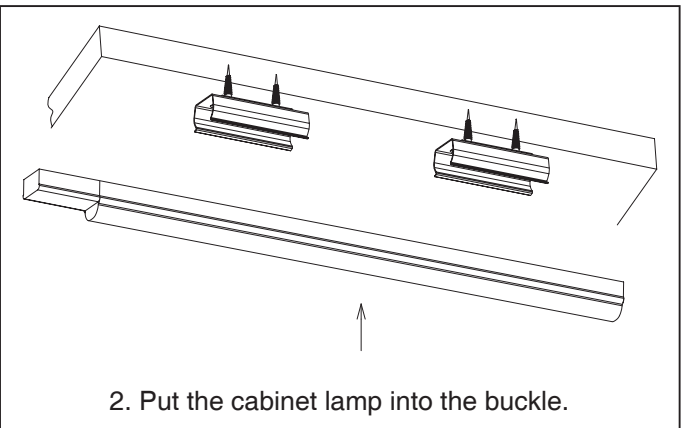
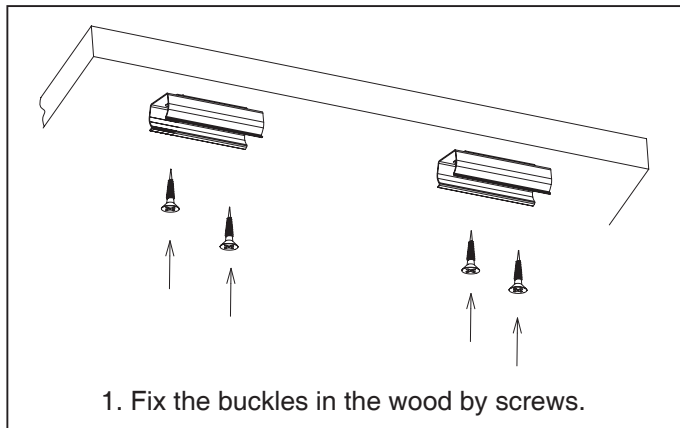
Rated Wattage	Electrical Classification	Ingress Protection	Operating Temp	Operating Humidity	Storage Temp
1.6W	Without ground	Dry location	-20°C~45°C	0~90%	-20°C~65°C

# Photometric Diagram

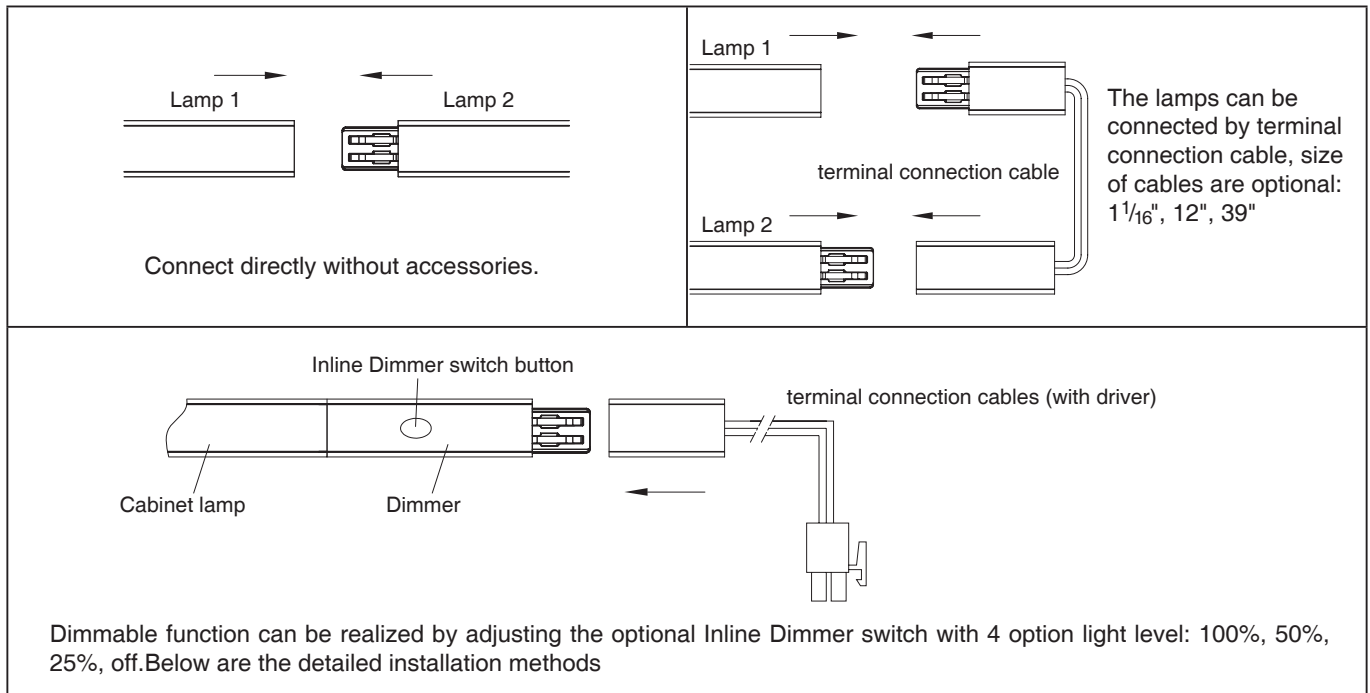


# Installation

## Cabinet lamp Installation ways



※ They can be stitched according to different installation requirements, details as below.



### The series quantity and the corresponding power selection

72W Driver	Strip Spec.			
	8-1.6W	12-2.4W	34-7.2W	46-9.7W
Qty	45PCS	30 PCS	10PCS	7 PCS

Note: Customized drivers can be provided , such as 12W, 36W, 48W, 60W, The total connection wattage should within the selected driver.

### Packaging Information

	SIZE(CM)	N.W/pc (KGS)	G.W.(KGS)	Q'TY(PCS)
Carton	29*16.5*15	0.035	4	60

	CTNS	Q'TY(PCS)	VOLUME(CBM)
20" standard container	3420	205200	28
40" standard container	6840	410400	56

