

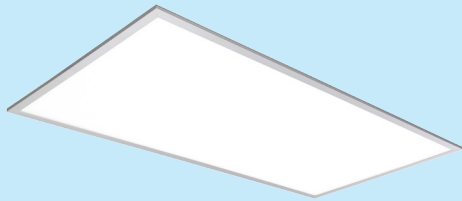


Technical Application Guide for UP-SHINE LED Panel Light

UP-PL2X4-60W

UP-PL2X4-60WD

Introduction



Up-shine LED troffer adopts LM-80 SMD led chip, with UL&cUL, DLC approved for North America market. 1X4, 2X2, 2X4 sizes are available for various demand. Branded led driver with top quality component ensures long life time. 0-10V dimmable and non-dimmable version both provided.

The ultra slim profile fits seamlessly into any workplace. It is available in the following installation ways: embedded into ceiling, suspended with hanging wires.

- Up to 80% energy saving compared to standard CFL
- Long lifetime of 50,000 hours
- 0-10V dimmable
- 120° wide beam angle
- CCT: 2700K 3000K
4000K 5000K
- No UV/IR light
- Environment friendly, without Mercury or any other hazardous substances

Application notes

- IP40 for indoor use
- Professional electrician for installation only
- Switch off before installation
- Do not touch when in use
- Keep away from hot steam and corrosive gas

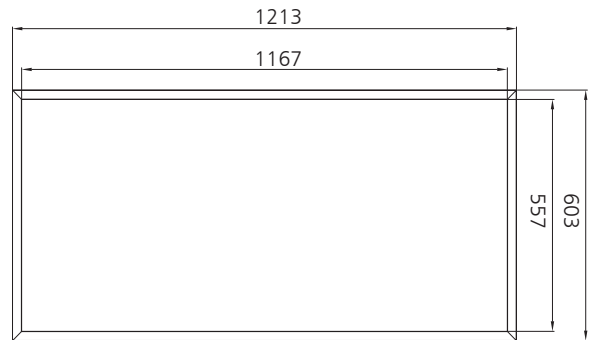
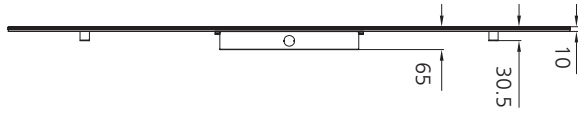
Application Areas

Widely used for various commercial lighting and residential lighting applications, such as offices, shopping mall, hotel, restaurant, hospital, home lighting etc.

Certificates



Product Information



Technical Specifications

Model	Voltage	Power	Power Factor	Lumen (±5%)	Beam angle	CCT	Lifespan	CRI	Dimmable	Dimension
UP-PL2X4-60W	AC100-277V	60W	≥0.9	6000	120°	2700K	50000h	≥80	No	1213*603*10mm
UP-PL2X4-60W	AC100-277V	60W	≥0.9	6080	120°	3000K	50000h	≥80	No	1213*603*10mm
UP-PL2X4-60W	AC100-277V	60W	≥0.9	6120	120°	4000K	50000h	≥80	No	1213*603*10mm
UP-PL2X4-60W	AC100-277V	60W	≥0.9	6170	120°	5000K	50000h	≥80	No	1213*603*10mm
UP-PL2X4-60WD	AC100-277V	60W	≥0.9	6200	120°	2700K	50000h	≥80	Yes	1213*603*10mm
UP-PL2X4-60WD	AC100-277V	60W	≥0.9	6280	120°	3000K	50000h	≥80	Yes	1213*603*10mm
UP-PL2X4-60WD	AC100-277V	60W	≥0.9	6330	120°	4000K	50000h	≥80	Yes	1213*603*10mm
UP-PL2X4-60WD	AC100-277V	60W	≥0.9	6370	120°	5000K	50000h	≥80	Yes	1213*603*10mm

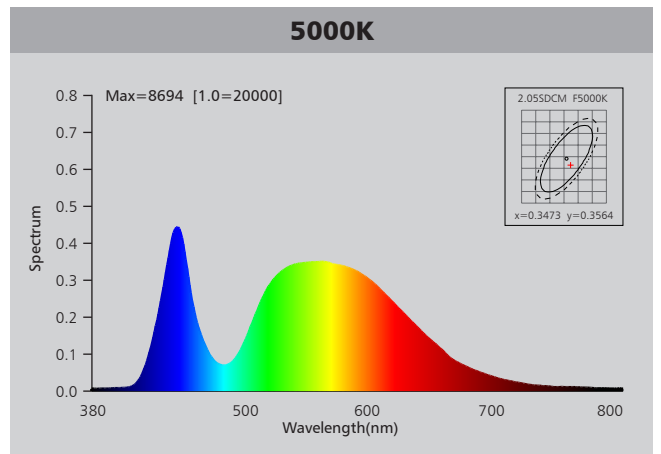
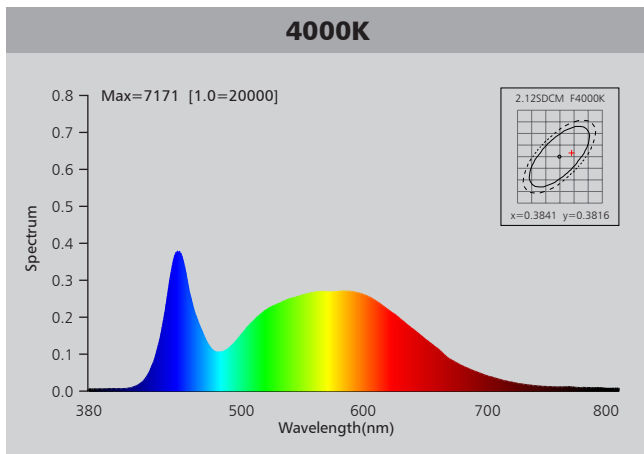
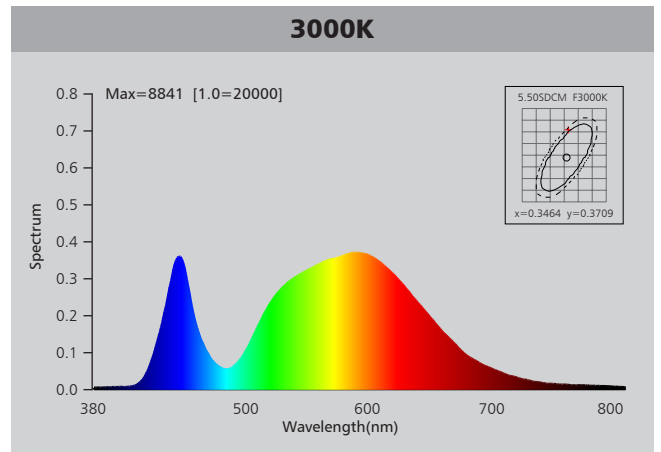
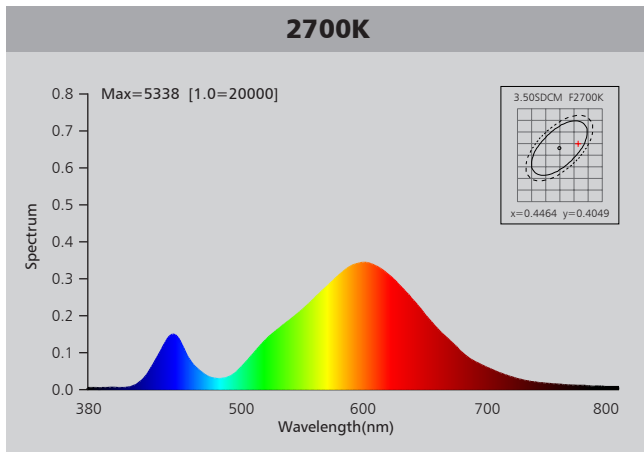
Driver data Sheet

Driver data	DIM	Non-dim
Input rated Voltage	AC100-277V	AC100-277V
Frequency	50/60Hz	50/60Hz
Input Voltage	AC90-305V	AC90-305V
Efficiency	≥85%	≥85%
Total load Wattage	57W±5%	57W±5%
Power Factor	≥0.9	≥0.9
Rated input current	≤0.7A	≤0.7A
Full load output Voltage	DC35-38V	DC35-38V
Rated output current	1400mA	1400mA
Output current range	1400mA±5%	1400mA±5%
Power tolerance	±5%	±5%
Current output tolerance	±5%	±5%
Dimming range	1%-100%	—
Dimmer	0V-10V dimmer	—
Short circuit protection	PASS	PASS
Over voltage protection	PASS	PASS
Over temperature protection	PASS	PASS
Withstand voltage	AC3750V	AC3750V

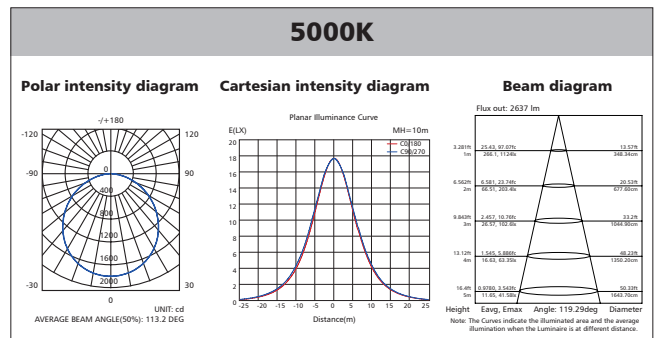
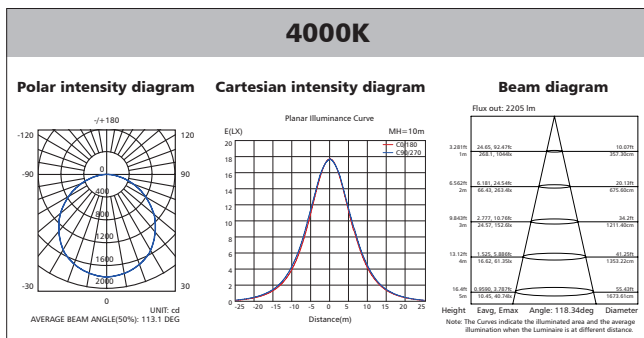
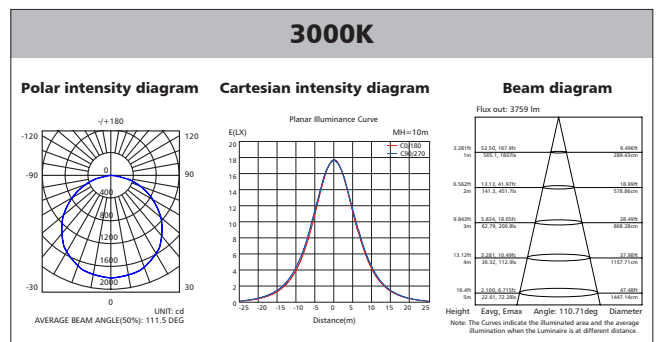
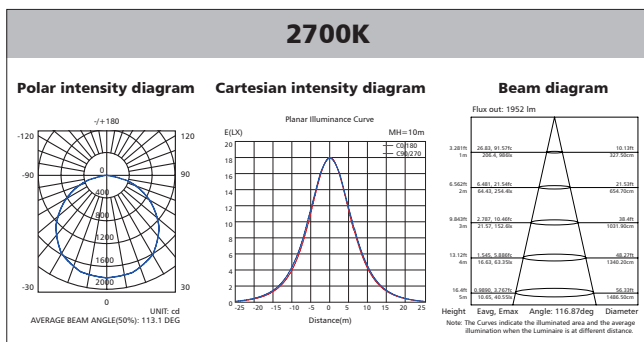
Fixture Compatibility

Rated Wattage	Electrical Classification	Ingress Protection	Operating Temp	Operating Humidity	Storage Temp
60W	II	IP40	-20°C~45°C	0~90%	-20°C~65°C

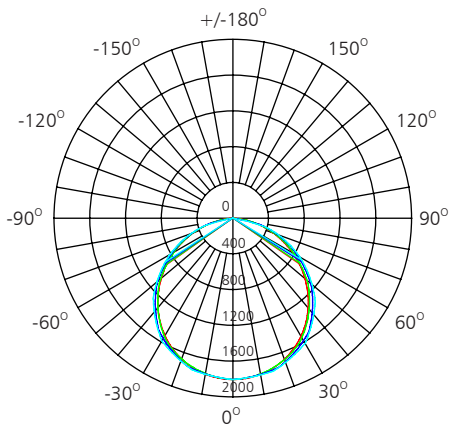
Spectral Distribution



Photometric Diagram



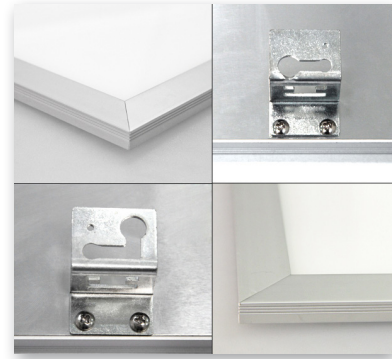
Polar Diagram Comparison



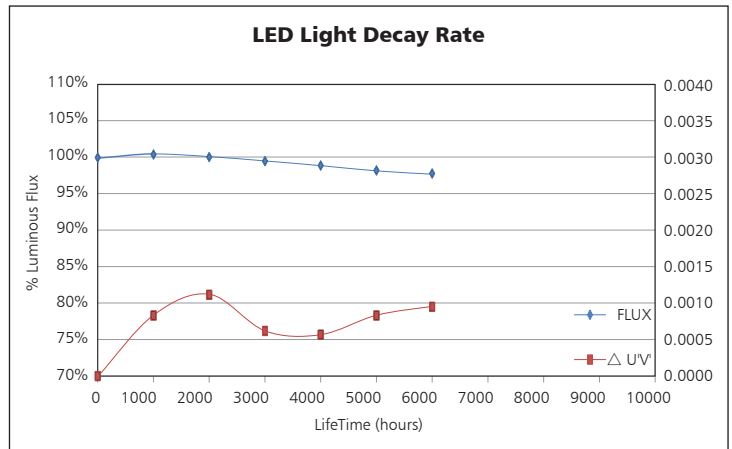
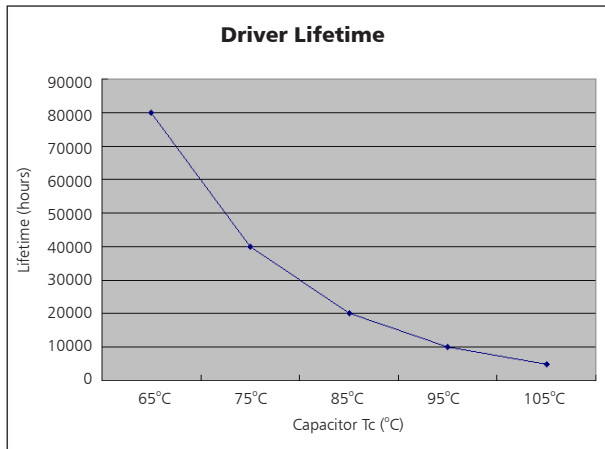
UNIT: cd

- C0/180, 110.7 deg
- C30/210, 111.5 deg
- C60/240, 114.3 deg
- C90/270, 115.8 deg

AVERAGE BEAM ANGLE (50%): 113.1DEG

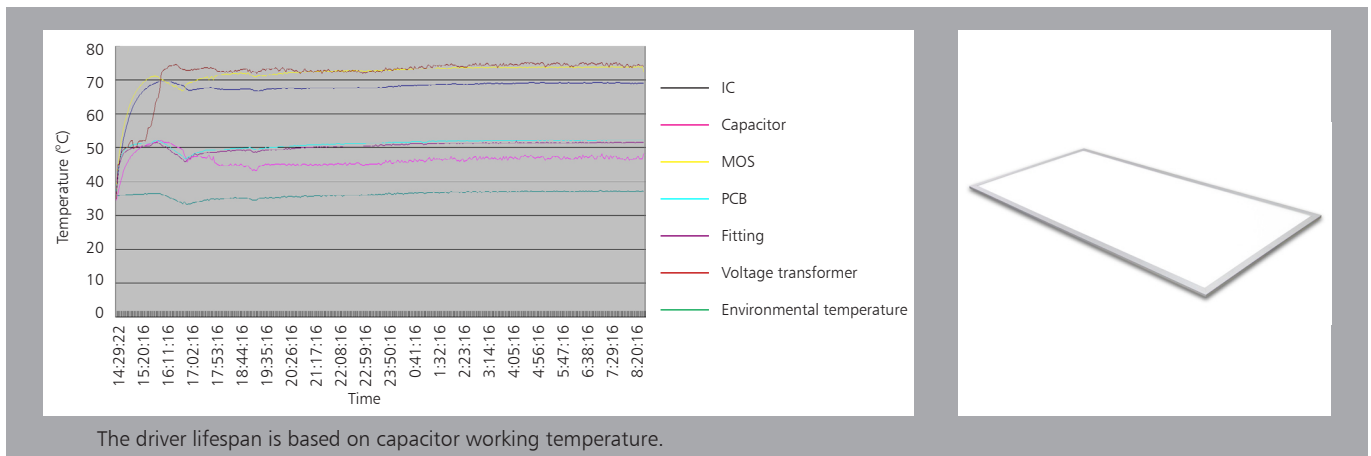


Driver lifetime & LED light decay rate



Temperature

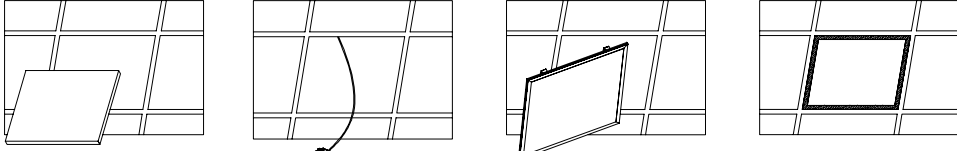
- The testing is operated at 25°C
- The lifetime of capacitor, minimum of 5,000 hours if operated at 105°C, will be doubled whenever the temperature drops 10°C
- The highest withstand temperature of IC, MOS could be 120°C
- The highest withstand temperature of LED junction temperature is 150°C



The driver lifespan is based on capacitor working temperature.

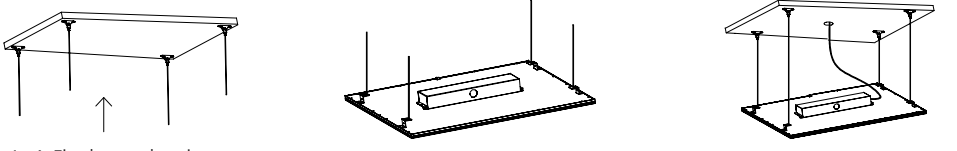
Installation

1. Recessed into ceiling



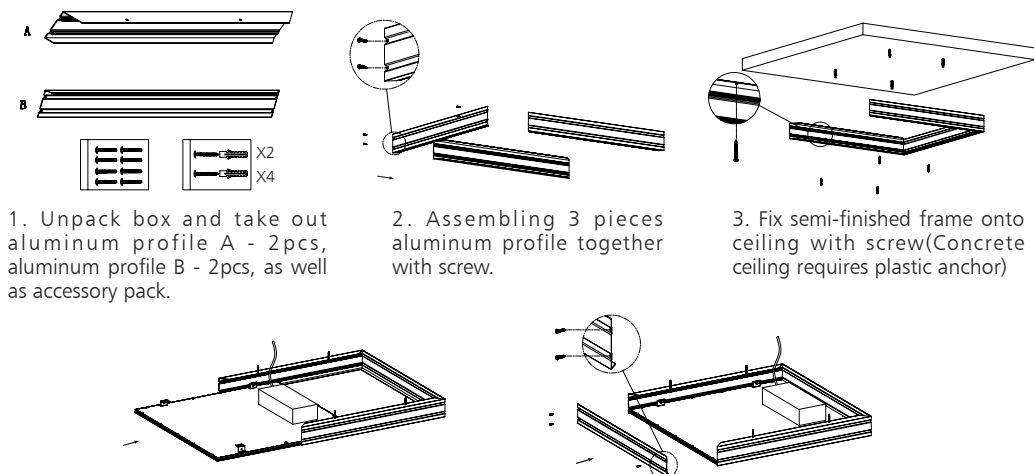
1. Remove ceiling plaster slab
2. Connect power supply
3. Fix the panel light into right place
4. Stabilize the panel

2. Suspending



1. A. Fix the anchor into target place on the ceiling
B. Fix the installation mount on the ceiling with plastic anchor
2. Hang the panel to ceiling with suspended installation kits
3. Adjust the length of steel wire. Connect the power supply

3. Surface mounted



1. Unpack box and take out aluminum profile A - 2pcs, aluminum profile B - 2pcs, as well as accessory pack.
2. Assembling 3 pieces aluminum profile together with screw.
3. Fix semi-finished frame onto ceiling with screw (Concrete ceiling requires plastic anchor)
4. Slide panel into frame properly.
5. Fix the last piece of aluminum profile with screw after panel is well placed.

Packaging Information

	SIZE(CM)	N.W/pc (KGS)	G.W.(KGS)	Q'TY(PCs)
Carton	128*16*67.5	9.2	24.5	2

	CTNS	Q'TY(PCs)	VOLUME(CBM)
20" standard container	200	400	28
40" standard container	400	800	56

