



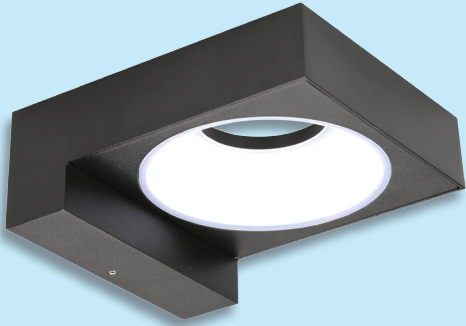
UPSHINE®



Technical Application
Guide for UP-SHINE
LED wall lamp

UP-WL08-8W

Introduction



WL08 LED wall light provides a stylish architectural luminaire for interior applications by the unique form and up light and down light functional design. WL08 adopts aluminum housing which provides excellent thermal management and 94-V0 fire rated PC which distributes softly lighting to creating comfortable atmosphere.

Features:

1. LED wall light with hollow cone-shaped opal PC diffuser.
2. Both up light and down light effect.
3. Can be mounted with the cone-shaped diffuser upward or downward.
4. Built-in LED driver.
5. High ingress protection rating:IP65, IK10, Class I.
6. Ideal replacement for traditional Halogen or fluorescent wall lights.

Application notes

- IP65 for indoor and outdoor use
- Professional electrician for installation only
- Switch off before installation
- Do not touch when in use
- Keep away from hot steam and corrosive gas

Application Areas

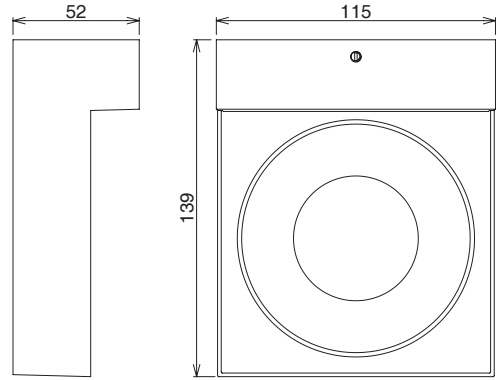
corridors, stairwells, reception areas, meeting rooms, pillars in open plan offices

Certificates

CE **RoHS**



Product Information



Technical Specifications

Model	Voltage	Power	Power Factor	Lumen (±5%)	Beam angle	CCT	Lifespan	CRI	Dimmable	Dimension
UP-WL08-8W	AC100-240V	8W	≥0.9	600	180°	3000K	50000h	≥80	No	139*115*52mm
UP-WL08-8W	AC100-240V	8W	≥0.9	670	180°	4000K	50000h	≥80	No	139*115*52mm
UP-WL08-8W	AC100-240V	8W	≥0.9	656	180°	5000K	50000h	≥80	No	139*115*52mm
UP-WL08-8W	AC100-240V	8W	≥0.9	650	180°	5700K	50000h	≥80	No	139*115*52mm

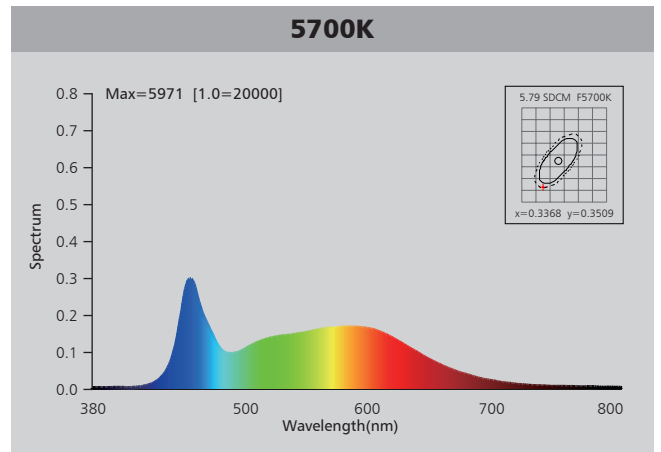
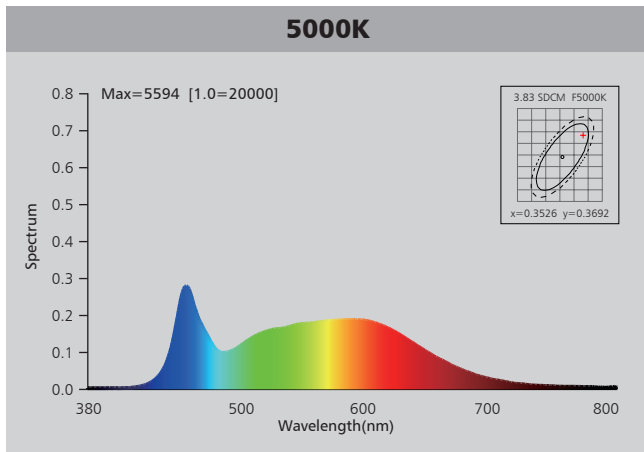
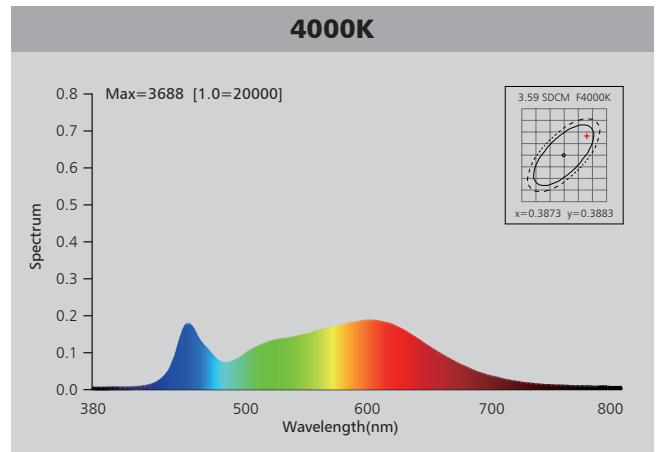
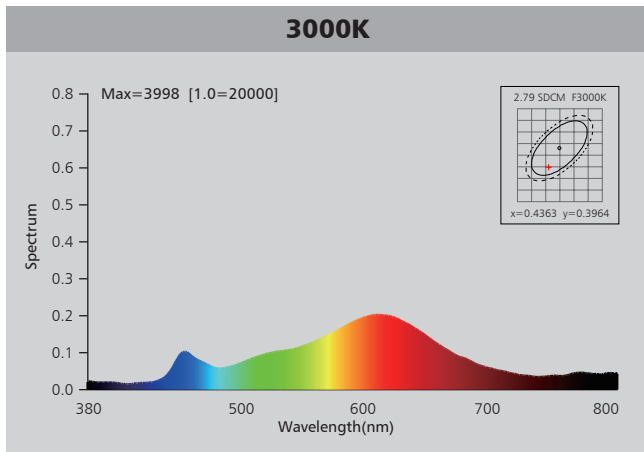
Driver data Sheet

Driver data	Non-dim
Input rated Voltage	AC100-240V
Frequency	50/60Hz
Input Voltage	AC85-265V
Efficiency	≥88%
Total load Wattage	8W±0.5W
Power Factor	≥0.9
Rated input current	≤0.09A
Full load output Voltage	DC65-75V
Rated output current	110mA
Output current range	110mA±5%
Power tolerance	±5%
Current output tolerance	±5%
Short circuit protection	PASS
Over voltage protection	PASS
Over temperature protection	PASS
Withstand voltage	—

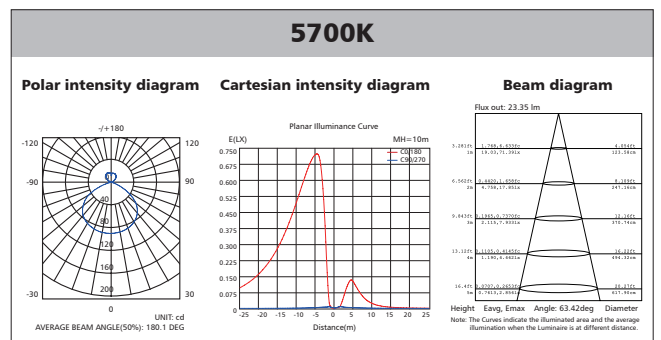
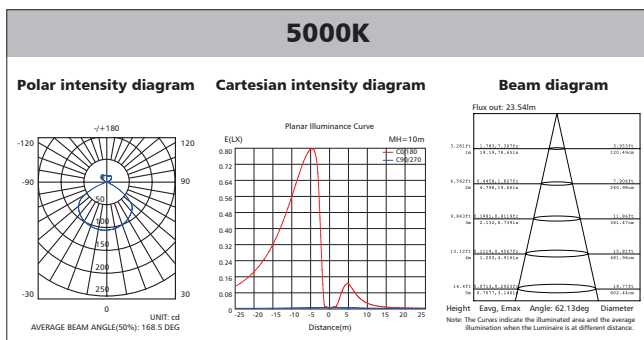
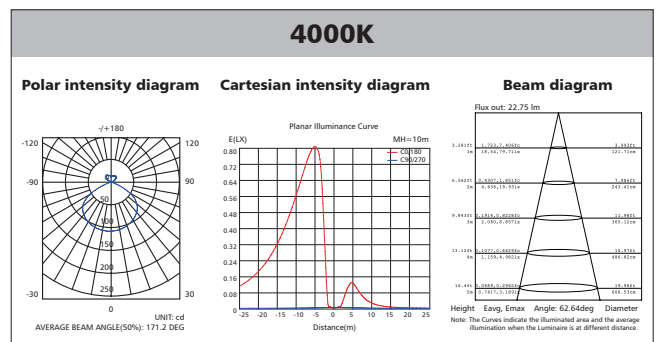
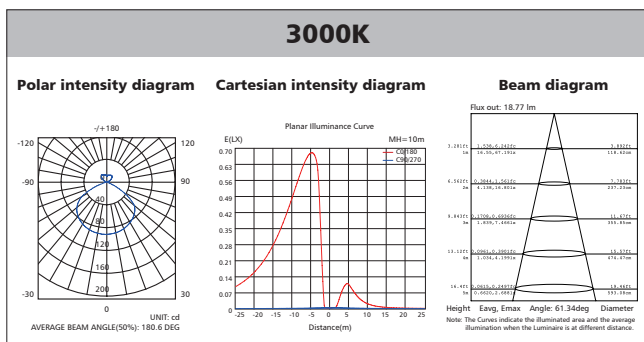
Fixture Compatibility

Rated Wattage	Electrical Classification	Ingress Protection	Operating Temp	Operating Humidity	Storage Temp
8W	I	IP65	-20°C~45°C	0~90%	-20°C~65°C

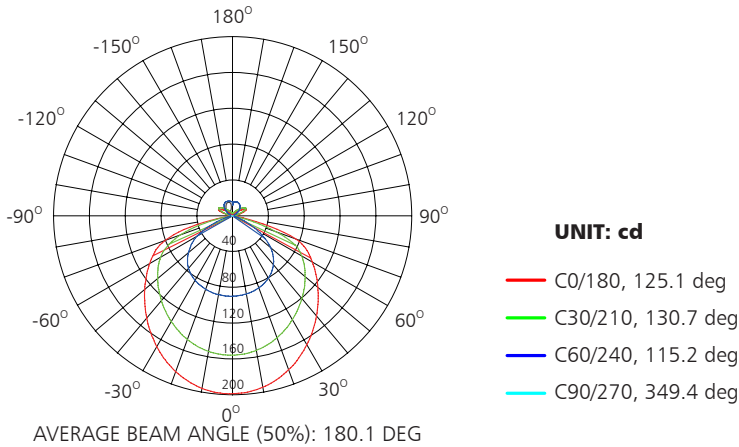
Spectral Distribution



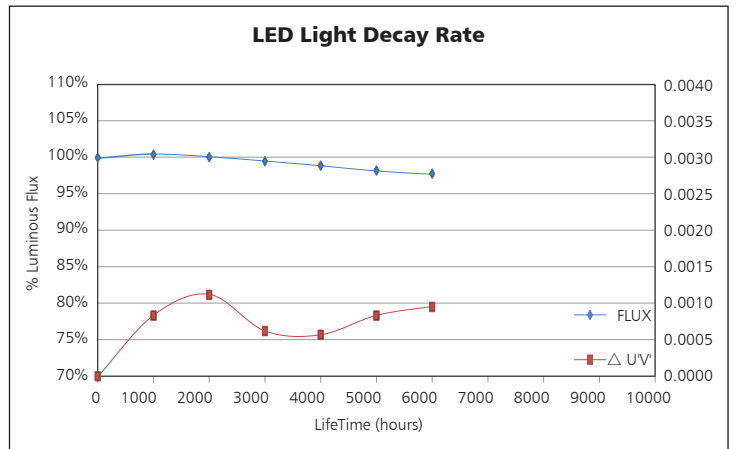
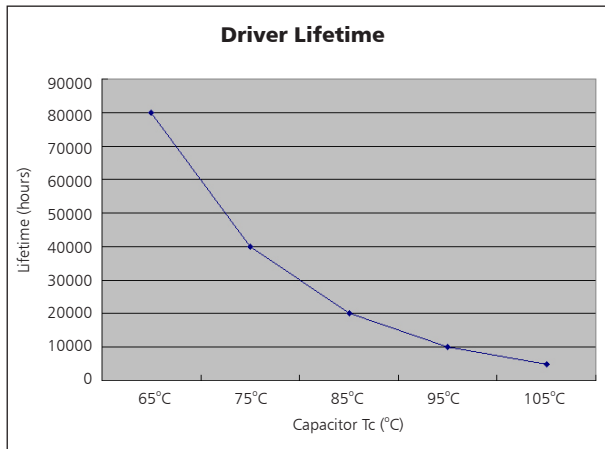
Photometric Diagram



Polar Diagram Comparison

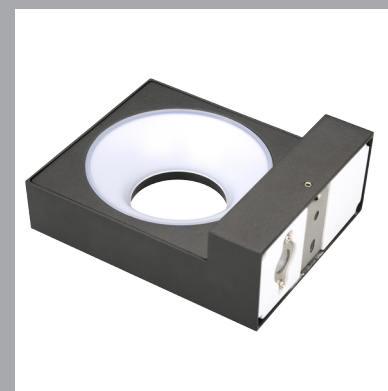
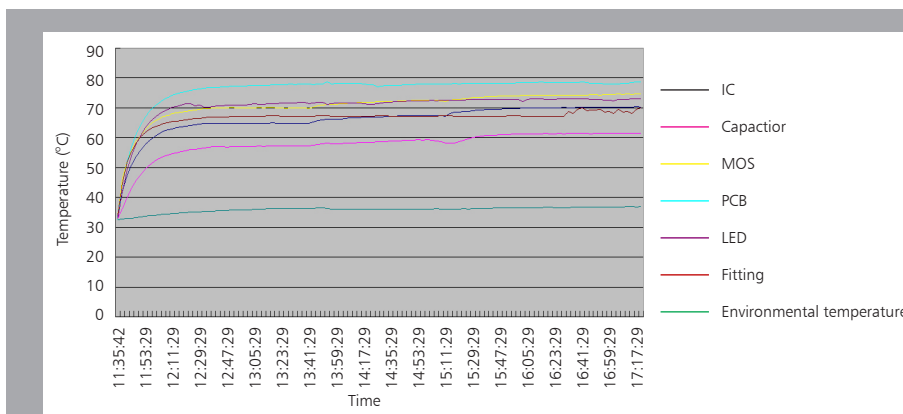


Driver lifetime & LED light decay rate



Temperature

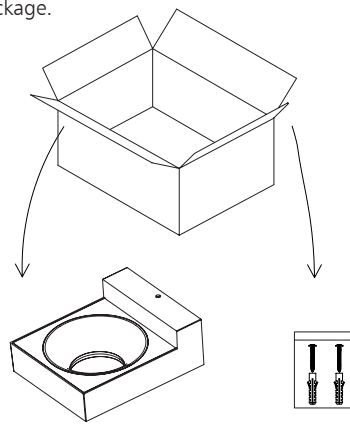
- The testing is operated at 25°C
- The lifetime of capacitor, minimum of 5,000 hours if operated at 105°C, will be doubled whenever the temperature drops 10°C.
- The highest withstand temperature of IC, MOS could be 120°C
- The highest withstand temperature of LED junction temperature is 150°C



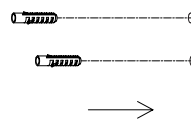
The driver lifespan is based on capacitor working temperature.

Installation

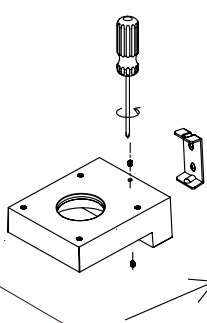
Step1
Take out wall light and accessory pack from package.



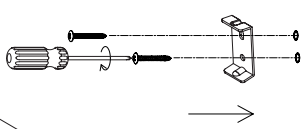
Step2
Fix the plastic anchor into wall.



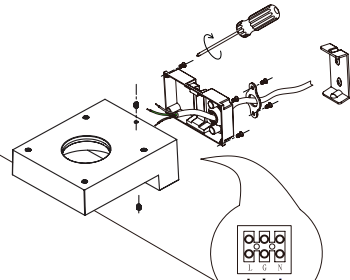
Step3
Loose screws and take out the bracket from lamp body.



Step4
Fix the bracket on the wall with screws

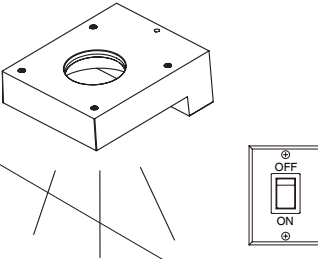


Step5
Open junction box, connect "L", "N", "G" wires to terminal block respectively and lock the driver box, then fix the light on the wall.



— L = BROWN
— N = BLUE
— ⊕ = YELLOW-GREEN

Step6
Switch on after complete installation.



Packaging Information

	SIZE(CM)	N.W/pc (KGS)	G.W.(KGS)	Q'TY(PCs)
Carton	38*32*28	0.415	13.5	24

	CTNS	Q'TY(PCs)	VOLUME(CBM)
20" standard container	798	19152	28
40" standard container	1596	38304	56

