



Technical Application Guide for UP-SHINE LED Tube Light

UP-T836W2400-R

Introduction



Up-shine AL+PC LED Tube light adopts LM-80 2835 SMD LED with high brightness and slight light decay. 0.8mm thickness AL6063 aluminum acting as cooling system provides excellent heat dissipation. Clear or frosted cover provided. V0 fire-rated PC cover, up to 95% light transmittance. Reliable isolated driver solutions with 3750V voltage withstand, branded high quality capacitor and IC solution ensures excellent working performance.

- Up to 70% energy saving compared to traditional tube
- Long lifetime of 40,000 hours
- 120° wide beam angle
- 2400mm length
- CCT: 3000K 4000K
5000K 5700K
- No UV/IR light
- Environment friendly, without Mercury or any other hazardous substances

Application notes

- IP20 for indoor use
- Professional electrician for installation only
- Switch off before installation
- Do not touch when in use
- Keep away from hot steam and corrosive gas

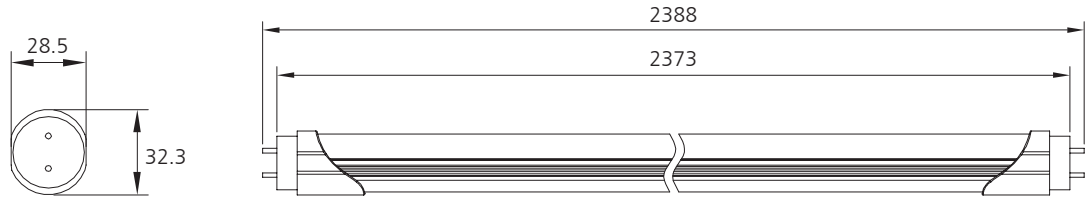
Application Areas

Suitable for commercial and residential applications like offices, supermarkets, shops, schools, hotels, restaurants, workshop, warehouse, homes etc.

Certificates



Product Information



Technical Specifications

Model	Voltage	Power	Power Factor	Lumen (±5%)	Beam angle	CCT	Lifespan	CRI	Dimmable	Dimension
UP-T836W2400-R	AC100-240V	36W	≥0.9	3400	120°	3000K	40000h	≥80	No	L2388*W28.5*H32.3mm
UP-T836W2400-R	AC100-240V	36W	≥0.9	3560	120°	4000K	40000h	≥80	No	L2388*W28.5*H32.3mm
UP-T836W2400-R	AC100-240V	36W	≥0.9	3700	120°	5000K	40000h	≥80	No	L2388*W28.5*H32.3mm
UP-T836W2400-R	AC100-240V	36W	≥0.9	3800	120°	5700K	40000h	≥80	No	L2388*W28.5*H32.3mm

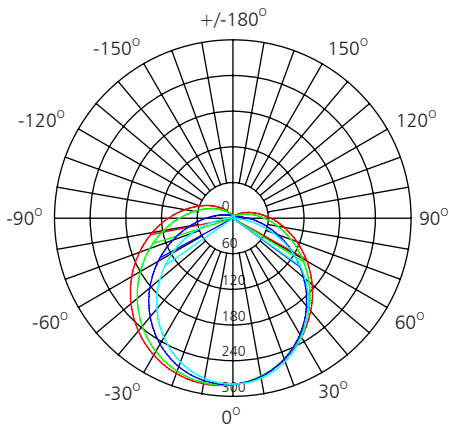
Driver data Sheet

Driver data	Non-dim
Input rated Voltage	AC100-240V
Frequency	50/60Hz
Input Voltage	AC85-265V
Efficiency	≥88%
Total load Wattage	36W±5%
Power Factor	≥0.9
Rated input current	≤0.42A
Full load output Voltage	DC35-38V
Rated output current	850mA
Output current range	850mA±5%
Tolerance	±5%
Current output tolerance	±5%
Short circuit protection	PASS
Over voltage protection	PASS
Over temperature protection	PASS
Withstand voltage	AC3750V

Fixture Compatibility

Rated Wattage	Electrical Classification	Ingress Protection	Operating Temp	Operating Humidity	Storage Temp
36W	II	IP20	-20°C~45°C	0~90%	-20°C~65°C

Polar Diagram Comparison



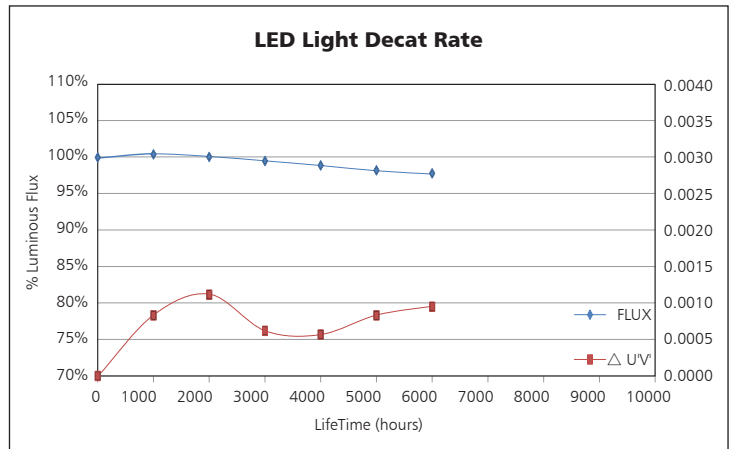
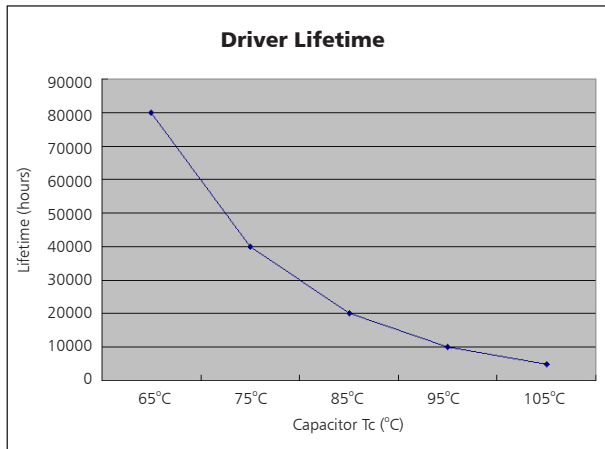
UNIT: cd

- C0/180, 139.4 deg
- C30/210, 130.6 deg
- C60/240, 115.5 deg
- C90/270, 109.7 deg

AVERAGE BEAM ANGLE (50%): 123.8DEG

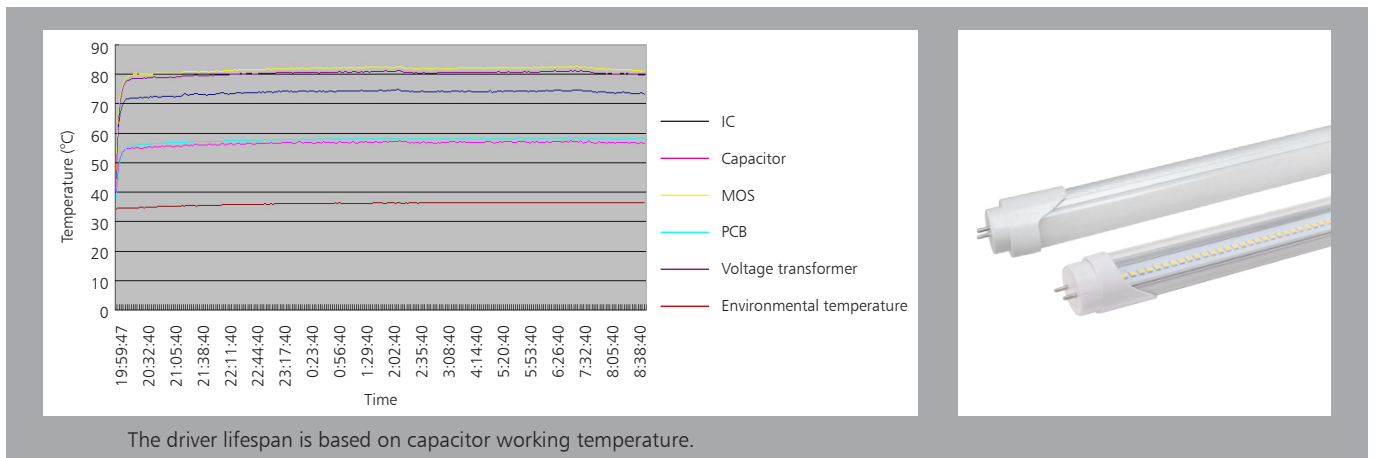


Driver lifetime & LED light decay rate



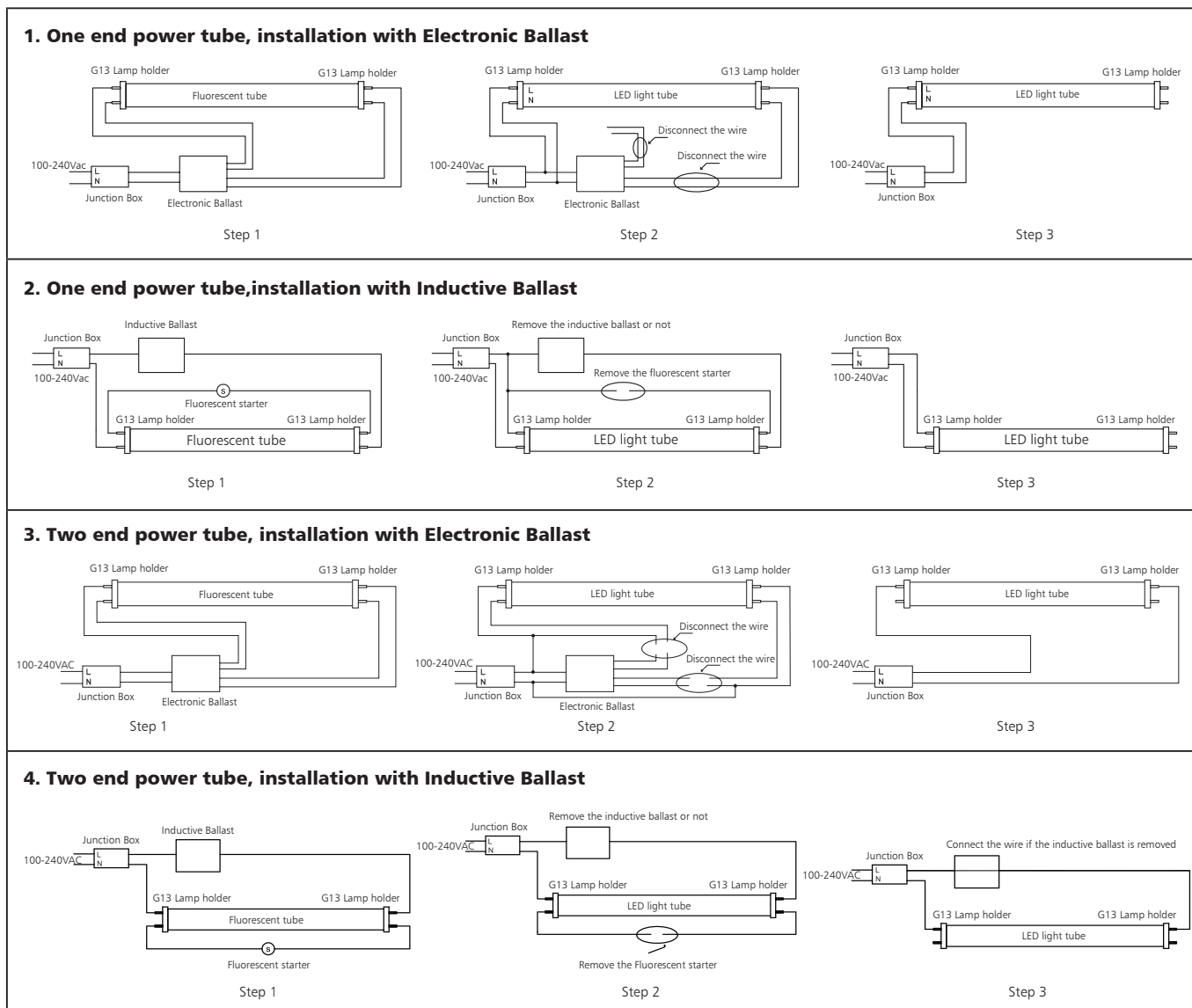
Temperature

- The testing is operated at 25°C
- The lifetime of capacitor, minimum of 5,000 hours if operated at 105°C, will be doubled whenever the temperature drops 10°C
- The highest withstand temperature of IC, MOS could be 120°C
- The highest withstand temperature of LED junction temperature is 150°C



The driver lifespan is based on capacitor working temperature.

Installation



Packaging Information

	SIZE(CM)	N.W/pc (KGS)	G.W.(KGS)	Q'TY(PCs)
Carton	249.8*21*21	0.58	28	25

	CTNS	Q'TY(PCs)	VOLUME(CBM)
20" standard container	252	6300	28
40" standard container	504	12600	56

