



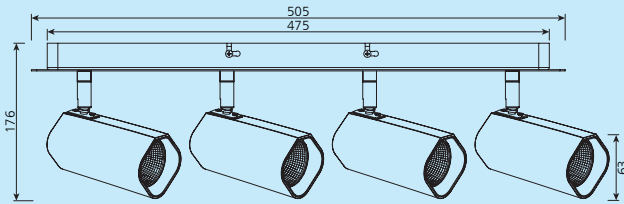
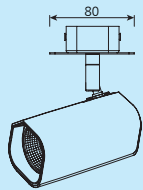
Up-shine<sup>®</sup> Lighting



# Technical Application Guide for UP-SHINE LED Spotlight

UP-TL21B-40W

# Introduction



To gaze is to look steadily and intently at that which excites admiration, curiosity or interest; to gaze with eyes wide open, as from surprise, wonder, alarm, stupidity; to gaze unbelievably or rudely.

The newly developed T-Gazer track light looks like a Gazer on the track; it is designed in combination of square and circular, they are masterly joined together to demonstrate behavioral philosophies of oriental, this design is clear-cut but not abrupt, soft but not monotonous, perfectly integrated into different lighting applications. With high light efficiency, deep cylinder design for light outlet makes the light softer and cozier. Modularization design facilitates replacing universal head connection elements, which realizes diversified installation ways in one lamp. Dimmable available, compatible with a wide range of recommended Triac dimmers.

- Up to 70% energy saving compared to standard CFL
- Long lifetime of 40,000 hours
- 15°/24°/36°/60° beam angle
- CCT: 2700K 3000K  
4000K 5000K
- No UV/IR light
- Environment friendly, without Mercury or any other hazardous substances
- UGR<19

## Application notes

- IP20 for indoor use only
- Professional electrician for installation only
- Switch off before installation
- Do not touch when in use
- Keep away from hot steam and corrosive gas

## Application Areas

It is suitable for supermarket, specialty store, show window, exhibition hall; focus lighting, decorative and background lighting, where attention is focused on subjects to emphasize special visual points.

## Certificate



# Product Information

## Technical Specifications

Model	Voltage	Power	Power Factor	Lumen (±5%)	CCT	Beam angle	Lifespan	CRI	Dimmable	Dimension
UP-TL21B-40W	AC100-240V	40W	≥0.9	2680	2700K	15°/24°/36°/60°	40000h	≥80	No	505*80*176mm
				3080	3000K					
				3120	4000K					
				3220	5000K					
UP-TL21B-40W-D	AC230V	40W	≥0.9	2540	2700K	15°/24°/36°/60°	40000h	≥80	Yes	505*80*176mm
				2680	3000K					
				2880	4000K					
				3000	5000K					

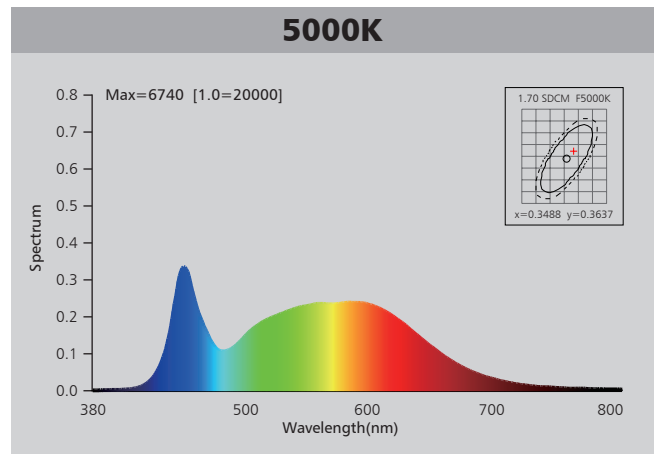
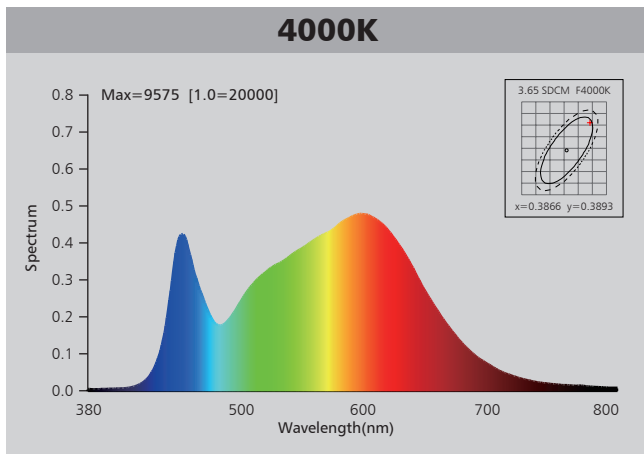
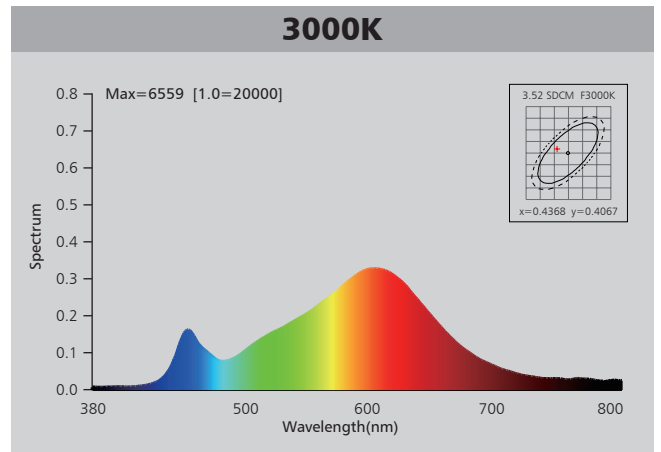
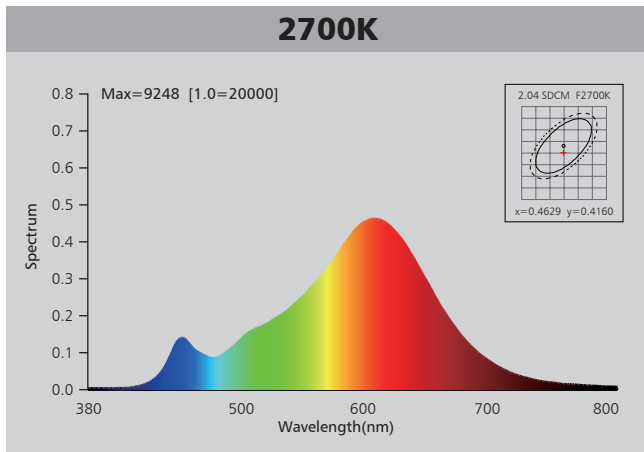
## Driver data Sheet

Driver data	DIM	Non-dim
Input rated Voltage	AC230V	AC100-240V
Frequency	50Hz	50/60Hz
Input Voltage	AC200-240V	AC85-265V
Efficiency	≥79%	≥78%
Total load Wattage	4*10W±0.5W	4*10W±0.5W
Power Factor	≥0.9	≥0.9
Rated input current	≤4*0.06A	≤4*0.12A
Full load output Voltage	DC28-38V	DC23-40V
Rated output current	4*230mA	4*250mA
Output current range	4 *230mA±5%	4*250mA±5%
Power tolerance	±5%	±5%
Current output tolerance	±5%	±5%
Dimming range	8%-100%	--
Dimmer	Triac dimmers	--
Short circuit protection	PASS	PASS
Over voltage protection	PASS	PASS
Over temperature protection	PASS	PASS
THD	<20%	<18%
Withstand voltage	AC1500V	AC1500V

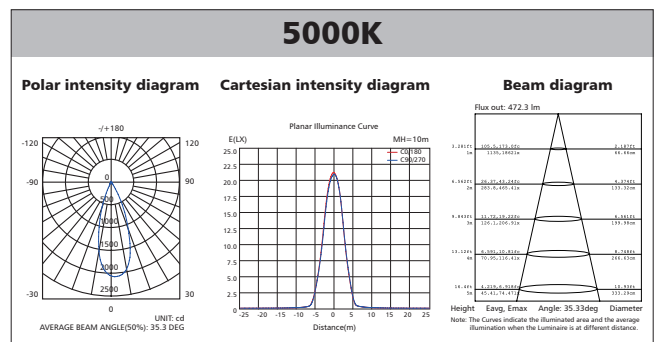
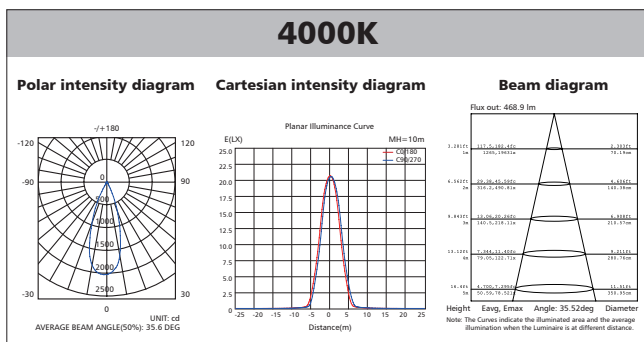
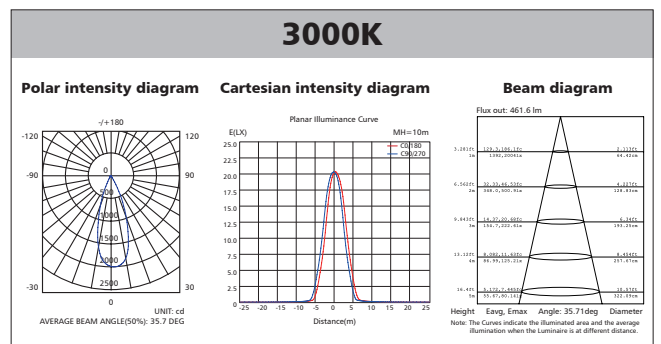
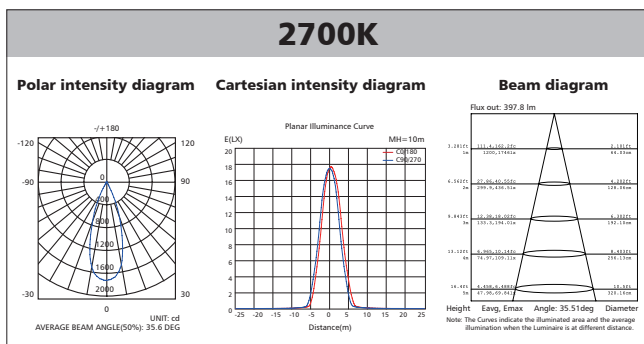
## Fixture Compatibility

Rated Wattage	Electrical Classification	Ingress Protection	Operating Temp	Operating Humidity	Storage Temp
40W	I	IP20	-20°C~45°C	0~90%	-20°C~65°C

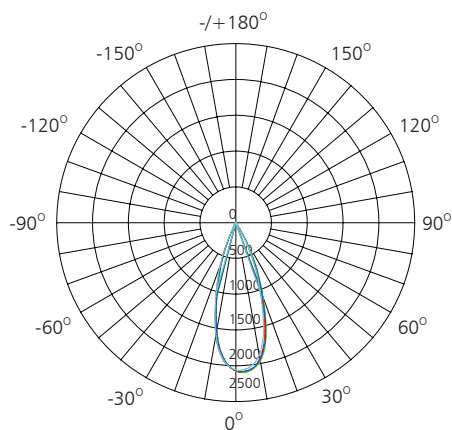
# Spectral Distribution



# Photometric Diagram



## Polar Diagram Comparison



UNIT: cd

- C0/180, 35.2 deg
- C30/210, 35.4 deg
- C60/240, 35.4 deg
- C90/270, 35.3 deg

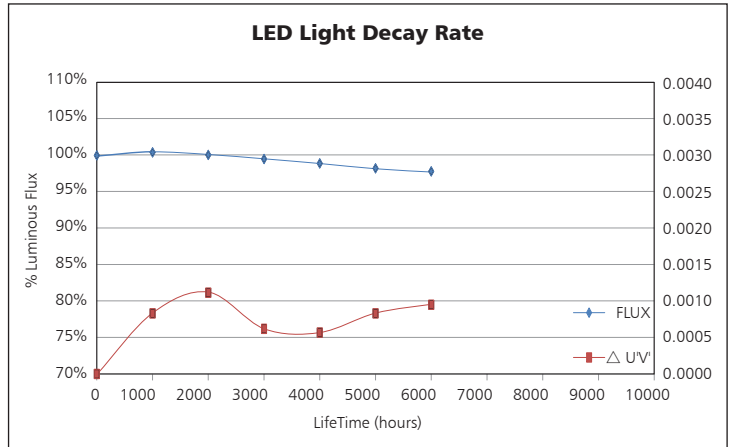
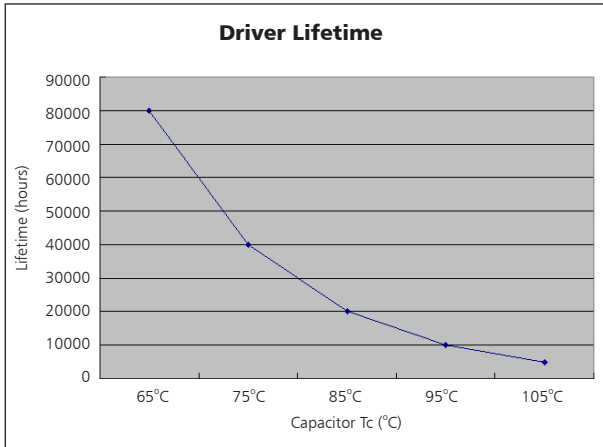


AVERAGE BEAM ANGLE (50%): 35.3DEG

## Uncorrected UGR Table

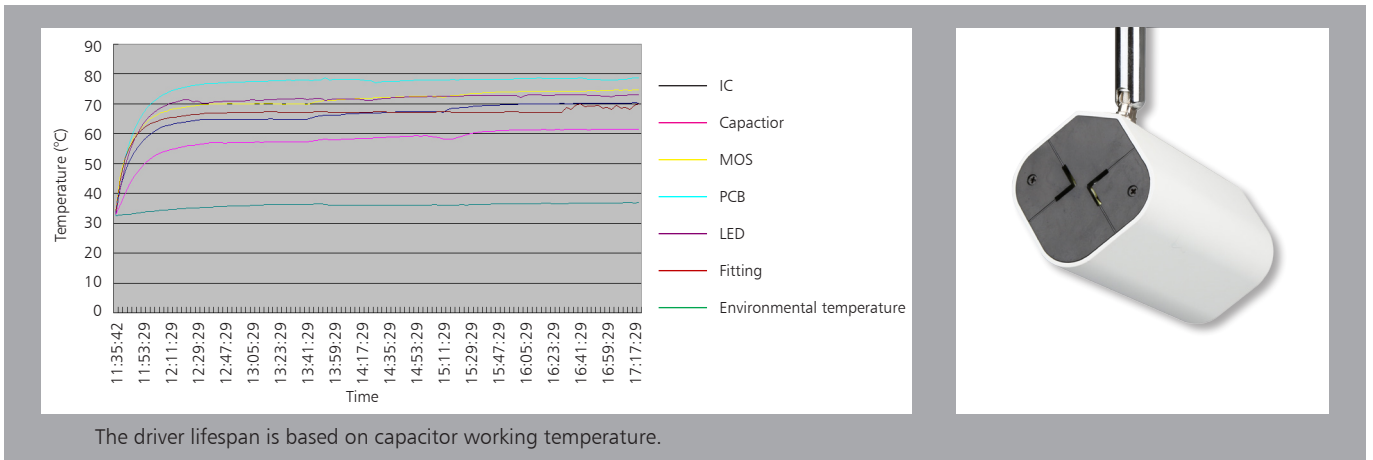
ceiling/cavity	0.7	0.7	0.5	0.5	0.3	0.7	0.7	0.5	0.5	0.3	
walls	0.5	0.3	0.5	0.3	0.3	0.5	0.3	0.5	0.3	0.3	
working plane	0.2	0.2	0.2	0.2	0.2	0.2	0.2	0.2	0.2	0.2	
Room dimensions	Viewed crosswise					Viewed endwise					
x = 2H y = 2H	14.9	15.7	15.1	15.9	16.0	14.8	15.5	15.0	15.7	15.9	
3H	15.8	16.5	16.0	16.7	16.9	15.6	16.3	15.8	16.5	16.7	
4H	16.2	16.8	16.4	17.1	17.3	15.9	16.6	16.2	16.8	17.0	
6H	16.4	17.0	16.7	17.3	17.5	16.2	16.8	16.4	17.0	17.3	
8H	16.5	17.2	16.8	17.4	17.7	16.3	16.9	16.6	17.2	17.4	
12H	16.7	17.3	17.0	17.6	17.9	16.5	17.1	16.8	17.3	17.6	
4H	2H	15.2	15.9	15.5	16.1	16.3	15.1	15.8	15.4	16.0	16.2
3H	16.3	16.9	16.6	17.2	17.4	16.1	16.7	16.4	17.0	17.3	
4H	16.8	17.4	17.2	17.7	18.0	16.6	17.1	16.9	17.4	17.7	
6H	17.2	17.6	17.5	18.0	18.3	16.9	17.4	17.3	17.7	18.1	
8H	17.3	17.8	17.7	18.1	18.5	17.1	17.6	17.5	17.9	18.3	
12H	17.6	18.0	18.0	18.4	18.8	17.4	17.8	17.8	18.2	18.6	
8H	4H	17.0	17.4	17.4	17.8	18.1	16.8	17.2	17.2	17.6	17.9
6H	17.4	17.8	17.8	18.2	18.6	17.2	17.6	17.6	18.0	18.4	
8H	17.7	18.0	18.2	18.5	18.9	17.5	17.8	18.0	18.3	18.7	
12H	18.2	18.4	18.6	18.9	19.3	18.0	18.2	18.4	18.7	19.1	
12H	4H	17.0	17.4	17.4	17.7	18.1	16.8	17.2	17.2	17.5	17.9
6H	17.4	17.8	17.9	18.2	18.6	17.3	17.6	17.7	18.0	18.4	
8H	17.8	18.1	18.3	18.5	19.0	17.6	17.9	18.1	18.3	18.8	
Variations with the observer position at spacings:											
S = 1.0H	+ 0.4 / - 0.5					+ 0.4 / - 0.6					
1.5H	+ 0.5 / - 0.4					+ 0.5 / - 0.4					
2.0H	+ 0.5 / - 0.5					+ 0.6 / - 0.5					

# Driver lifetime & LED light decay rate

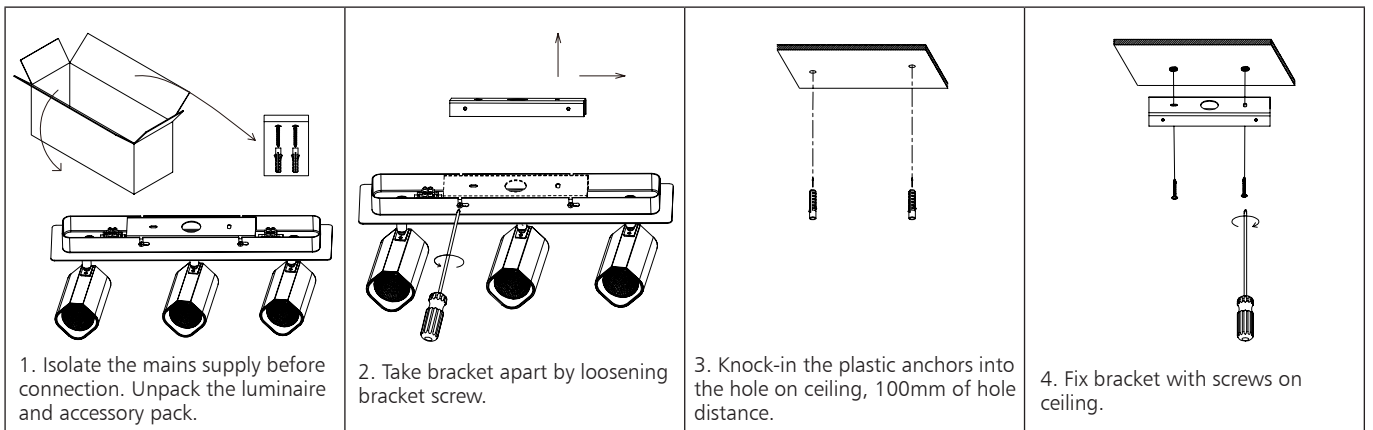


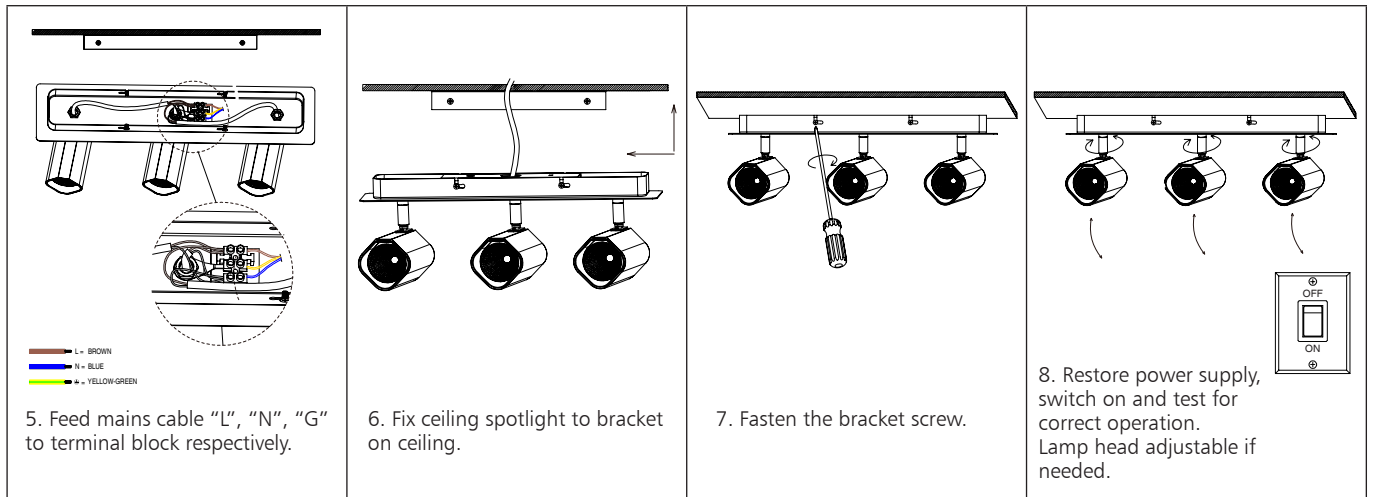
## Temperature

- The testing is operated at 25°C
- The lifetime of capacitor, minimum of 5,000 hours if operated at 105°C, will be doubled whenever the temperature drops 10°C
- The highest withstand temperature of IC, MOS could be 120°C
- The highest withstand temperature of LED junction temperature is 150°C



## Installation





## Packaging Information

	SIZE(CM)	N.W/pc (KGS)	G.W.(KGS)	Q'TY(PCS)
Carton	57.5*42.5*33.5	2.32	20.5	8

	CTNS	Q'TY(PCS)	VOLUME(CBM)
20" standard container	335	2680	28
40" standard container	670	5360	56

