



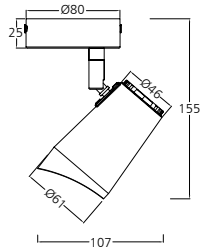
Up-shine[®] Lighting



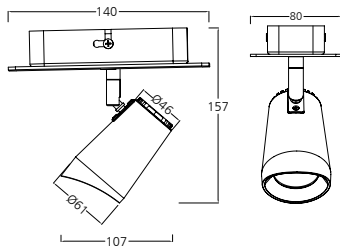
Technical Application
Guide for UP-SHINE
LED Spotlight
UP-TL20-10W

Introduction

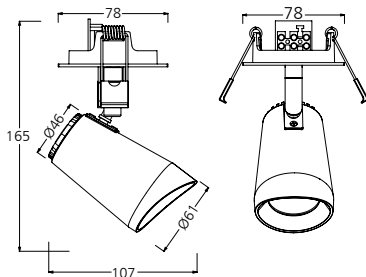
UP-TL20A-10W



UP-TL20B-10W



UP-TL20C-10W



Up-shine ceiling spotlight adopts die-casting ADC12 with excellent heat dissipation. CRI80 and high efficient COB led chip to assure that high center luminous intensity. It is designed with high transmittance optical lens, maximum utilization of light output. Adjustable lighting orientation with 340 degree in horizontal direction and 0-90 degree in vertical direction. Dimmable available, compatible with a wide range of recommended Triac dimmers. Lamp with surface mounted, track adaptor and recessed installations, can meet different demands and easy to install.

- Up to 70% energy saving compared to standard CFL
- Long lifetime of 40,000 hours
- 36°/60° beam angle
- CCT: 2700K 3000K
4000K 5000K
- No UV/IR light
- Environment friendly, without Mercury or any other hazardous substances

Application notes

- IP20 for indoor use only
- Professional electrician for installation only
- Switch off before installation
- Do not touch when in use
- Keep away from hot steam and corrosive gas

Application Areas

It is suitable for supermarket, specialty store, show window, exhibition hall; focus lighting, decorative and background lighting, where attention is focused on subjects to emphasize special visual points.

Certificate



Product Information

Technical Specifications

Power	Voltage	Power Factor	Lumen (±5%)	Beam angle	CCT	Lifespan	CRI	Dimmable
10W	AC100-240V	≥0.9	920	36°/60°	2700K	40000h	≥80	No
10W	AC100-240V	≥0.9	990	36°/60°	3000K	40000h	≥80	No
10W	AC100-240V	≥0.9	1040	36°/60°	4000K	40000h	≥80	No
10W	AC100-240V	≥0.9	1050	36°/60°	5000K	40000h	≥80	No
10W	AC230V	≥0.9	950	36°/60°	2700K	40000h	≥80	Yes
10W	AC230V	≥0.9	955	36°/60°	3000K	40000h	≥80	Yes
10W	AC230V	≥0.9	1010	36°/60°	4000K	40000h	≥80	Yes
10W	AC230V	≥0.9	1050	36°/60°	5000K	40000h	≥80	Yes

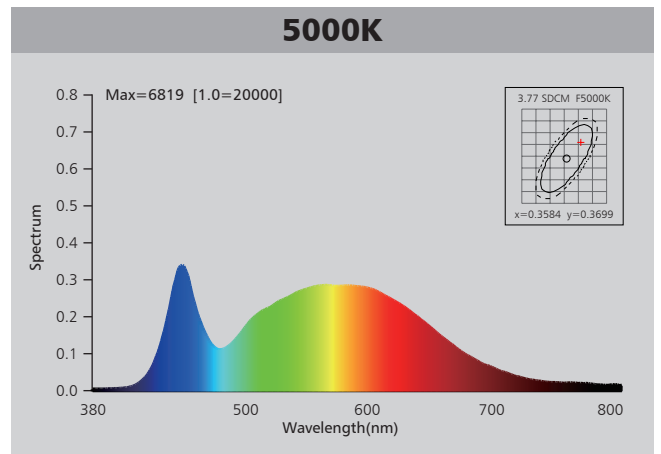
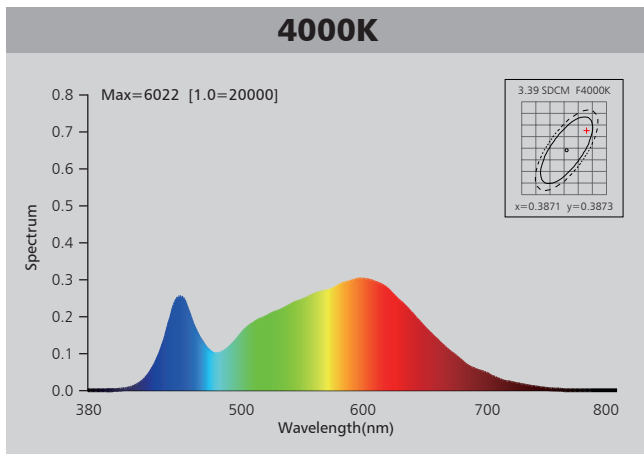
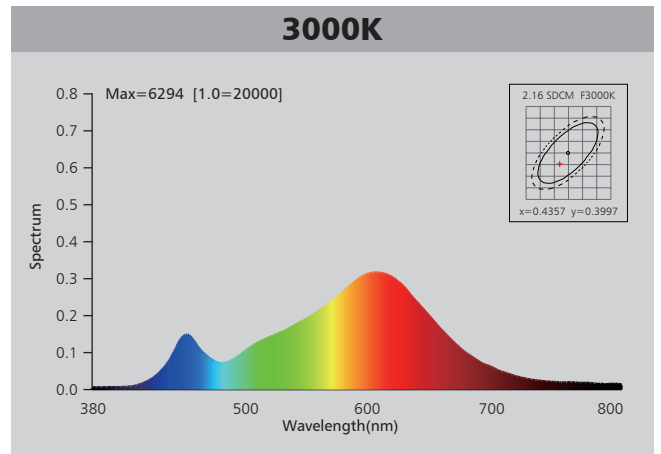
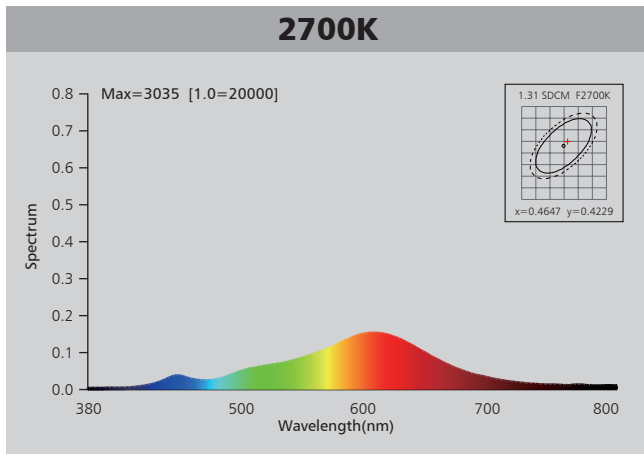
Driver data Sheet

Driver data	DIM	Non-dim
Input rated Voltage	AC230V	AC100-240V
Frequency	50Hz	50/60Hz
Input Voltage	AC200-240V	AC85-265V
Efficiency	≥79%	≥78%
Total load Wattage	10W±0.5W	10W±0.5W
Power Factor	≥0.9	≥0.9
Rated input current	≤0.06A	≤0.12A
Full load output Voltage	DC28-38V	DC23-40V
Rated output current	230mA	250mA
Output current range	230mA±5%	250mA±5%
Power tolerance	±5%	±5%
Current output tolerance	±5%	±5%
Dimming range	8%-100%	--
Dimmer	Triac dimmers	--
Short circuit protection	PASS	PASS
Over voltage protection	PASS	PASS
Over temperature protection	PASS	PASS
THD	<20%	<18%
Withstand voltage	AC1500V	AC1500V

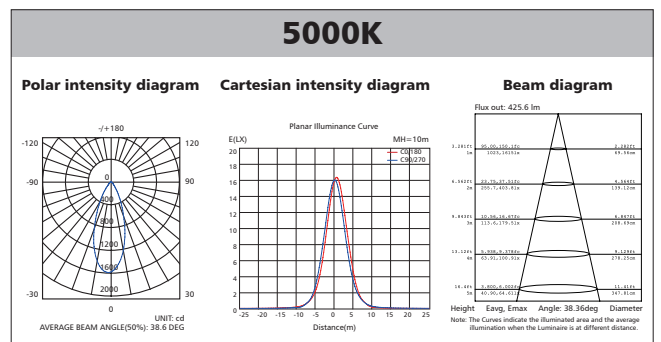
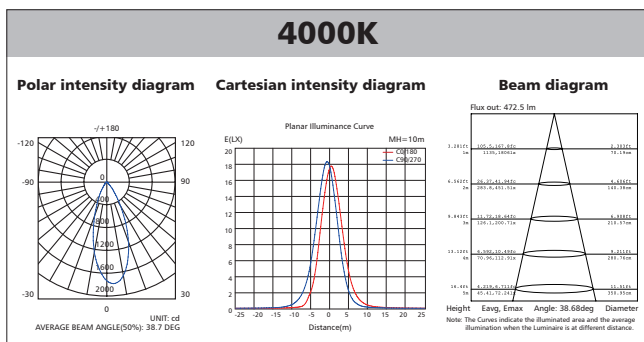
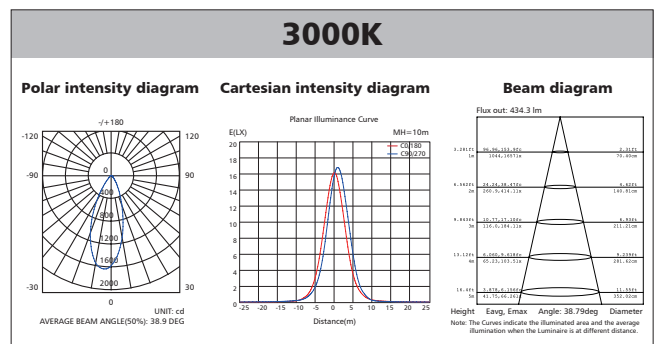
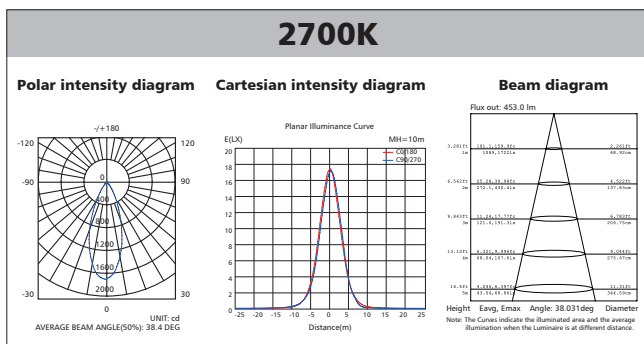
Fixture Compatibility

Rated Wattage	Electrical Classification	Ingress Protection	Operating Temp	Operating Humidity	Storage Temp
10W	I	IP20	-20°C~45°C	0~90%	-20°C~65°C

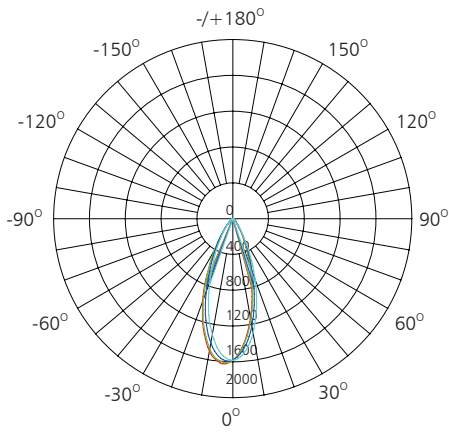
Spectral Distribution



Photometric Diagram



Polar Diagram Comparison



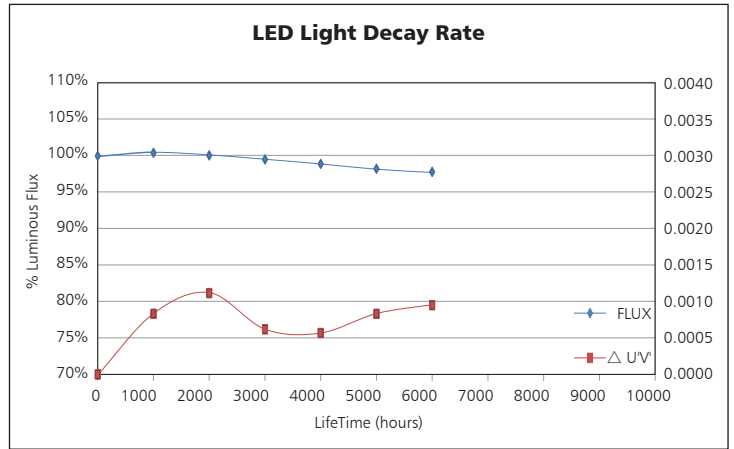
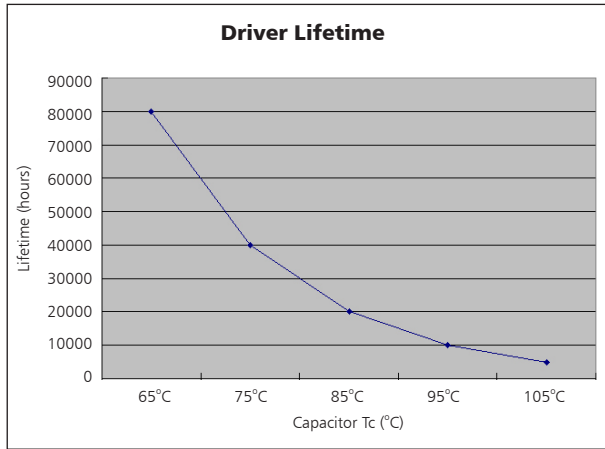
UNIT: cd

- C0/180, 38.4 deg
- C30/210, 38.6 deg
- C60/240, 38.7 deg
- C90/270, 38.6 deg

AVERAGE BEAM ANGLE (50%): 38.6DEG

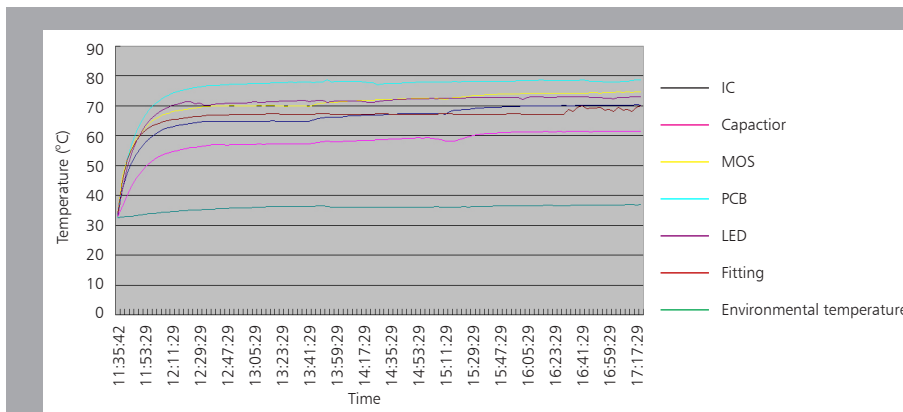


Driver lifetime & LED light decay rate



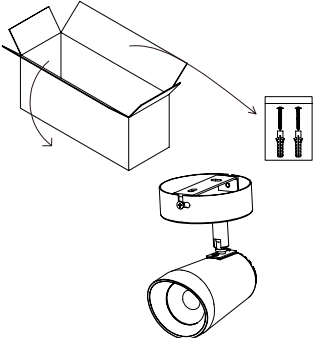
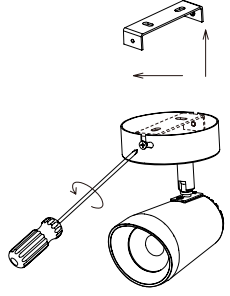
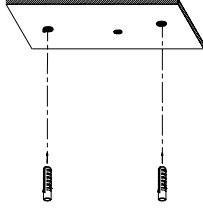
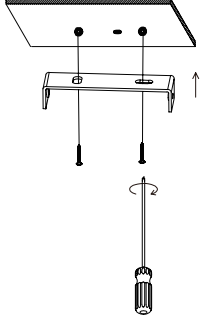
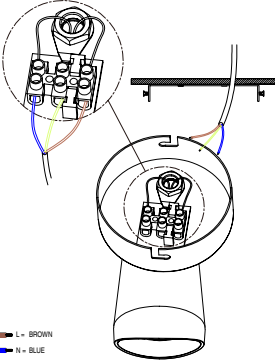
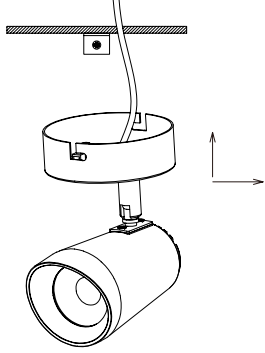
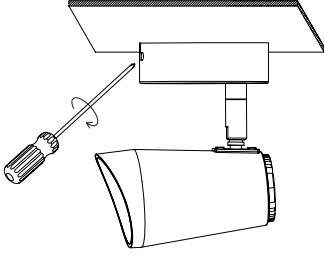
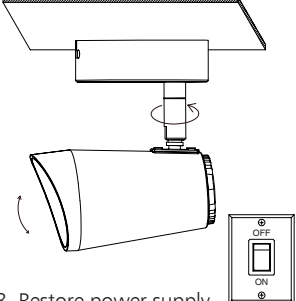
Temperature

- The testing is operated at 25°C
- The lifetime of capacitor, minimum of 5,000 hours if operated at 105°C, will be doubled whenever the temperature drops 10°C
- The highest withstand temperature of IC, MOS could be 120°C
- The highest withstand temperature of LED junction temperature is 150°C

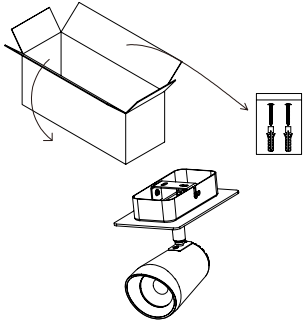
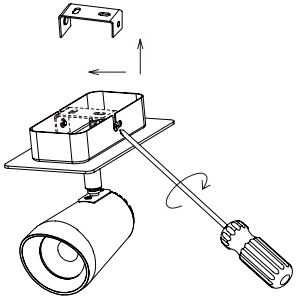
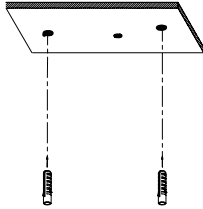
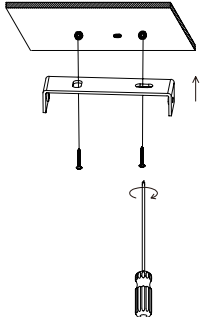
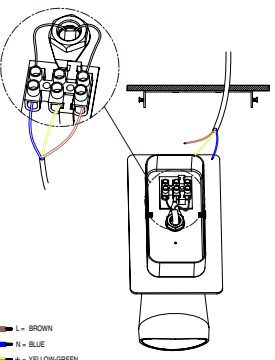
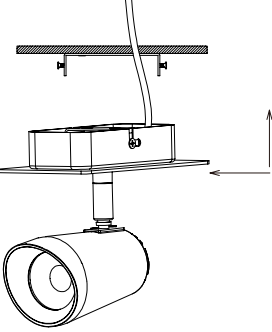
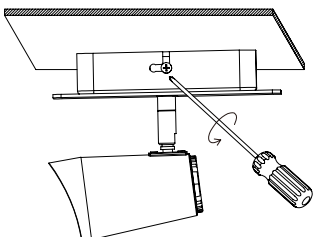
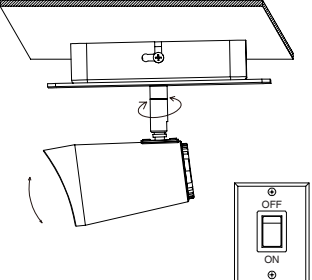


The driver lifespan is based on capacitor working temperature.

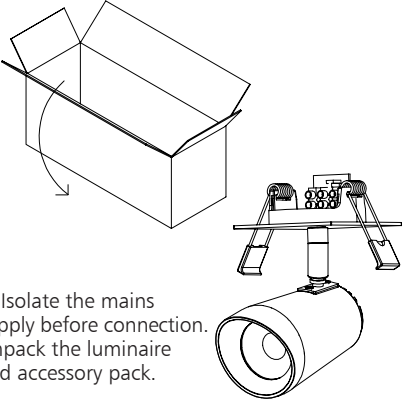
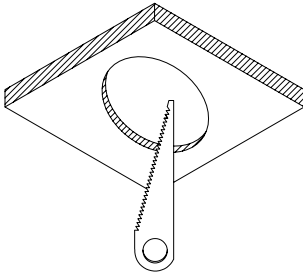
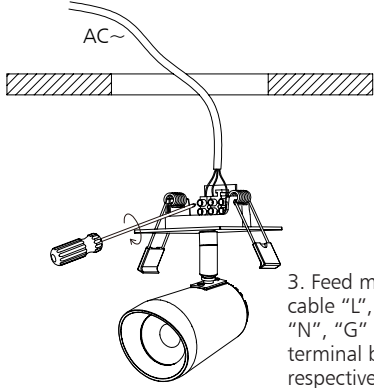
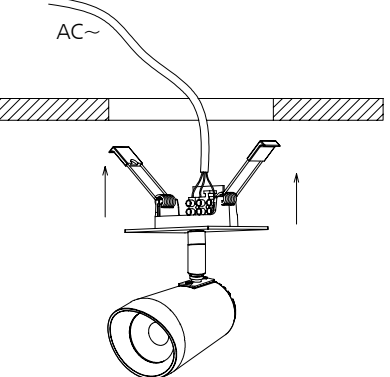
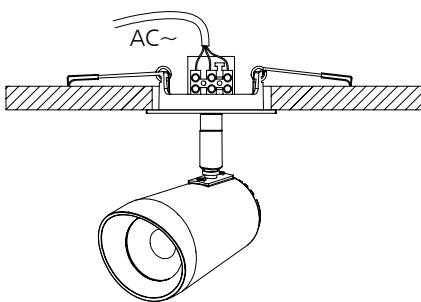
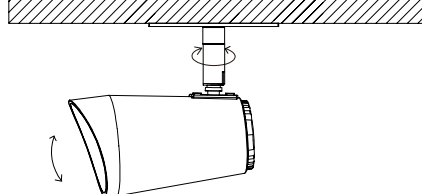
Installation (A)

 <p>1. Isolate the mains supply before connection. Unpack the luminaire and accessory pack.</p>	 <p>2. Take bracket apart by loosening bracket screw.</p>	 <p>3. Knock-in the plastic anchors into the hole on ceiling, 38.5mm of hole distance.</p>	 <p>4. Fix bracket with screws on ceiling.</p>
 <p>5. Feed mains cable "L", "N", "G" to terminal block respectively.</p> <p> — L - BROWN — N - BLUE — G - YELLOW-GREEN </p>	 <p>6. Fix ceiling spotlight to bracket on ceiling.</p>	 <p>7. Fasten the bracket screw.</p>	 <p>8. Restore power supply, switch on and test for correct operation. Lamp head adjustable if needed.</p>

Installation (B)

 <p>1. Isolate the mains supply before connection. Unpack the luminaire and accessory pack.</p>	 <p>2. Take bracket apart by loosening bracket screw.</p>	 <p>3. Knock-in the plastic anchors into the hole on ceiling, 24mm of hole distance.</p>	 <p>4. Fix bracket with screws on ceiling.</p>
 <p>5. Feed mains cable "L", "N", "G" to terminal block respectively.</p> <p> — L - BROWN — N - BLUE — G - YELLOW-GREEN </p>	 <p>6. Fix ceiling spotlight to bracket on ceiling.</p>	 <p>7. Fasten the bracket screw.</p>	 <p>8. Restore power supply, switch on and test for correct operation. Lamp head adjustable if needed.</p>

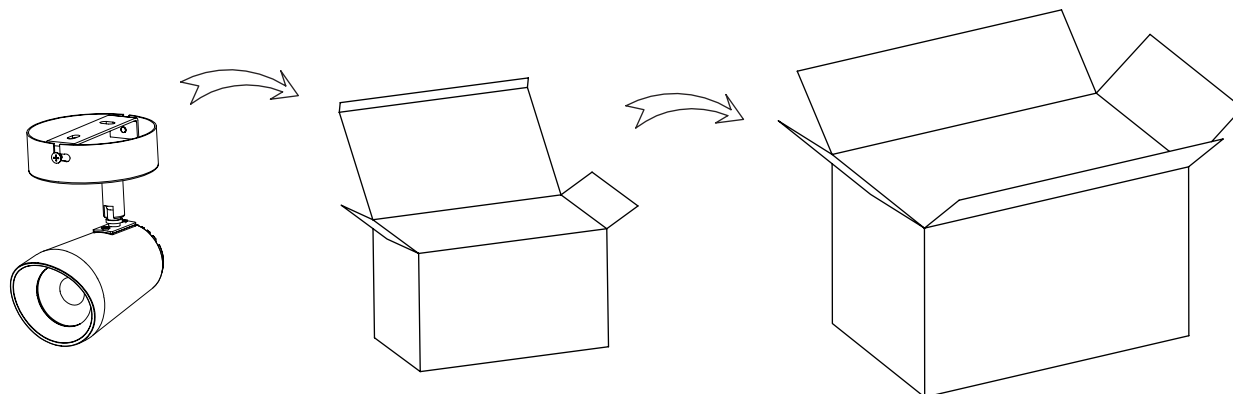
Installation (C)

 <p>1. Isolate the mains supply before connection. Unpack the luminaire and accessory pack.</p>	 <p>2. Ceiling opening $\varnothing 68\text{mm}$.</p>	 <p>3. Feed mains cable "L", "N", "G" to terminal block respectively.</p>
 <p>4. Hold the spring clips upwards then push lamp into the position.</p>	 <p>5. Check the luminaire to make sure it's firmly enough after installation.</p>	 <p>6. Adjust the luminaire to meet different lighting demands.</p>

Packaging Information(A)

	SIZE(CM)	N.W/pc (KGS)	G.W.(KGS)	Q'TY(PCS)
Carton	41.5*38.5*49	0.28	9.5	24

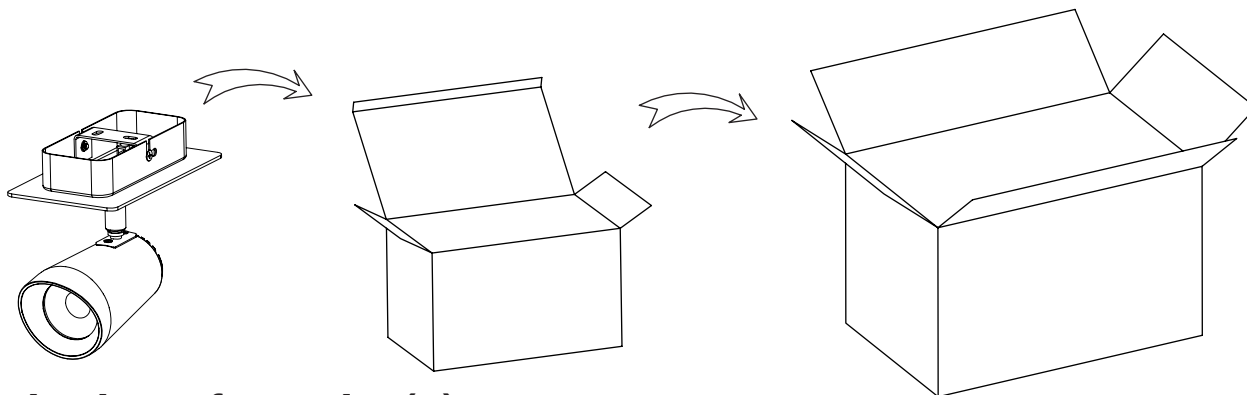
	CTNS	Q'TY(PCS)	VOLUME(CBM)
20" standard container	353	8472	28
40" standard container	706	16944	56



Packaging Information(B)

	SIZE(CM)	N.W/pc (KGS)	G.W.(KGS)	Q'TY(PCS)
Carton	41.5*38.5*49	0.48	14.3	24

	CTNS	Q'TY(PCS)	VOLUME(CBM)
20" standard container	353	8472	28
40" standard container	706	16944	56



Packaging Information(C)

	SIZE(CM)	N.W/pc (KGS)	G.W.(KGS)	Q'TY(PCS)
Carton	41.5*38.5*49	0.28	9.5	24

	CTNS	Q'TY(PCS)	VOLUME(CBM)
20" standard container	353	8472	28
40" standard container	706	16944	56

