



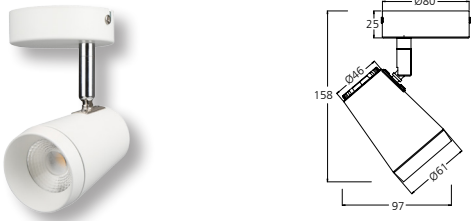
Up-shine[®] Lighting



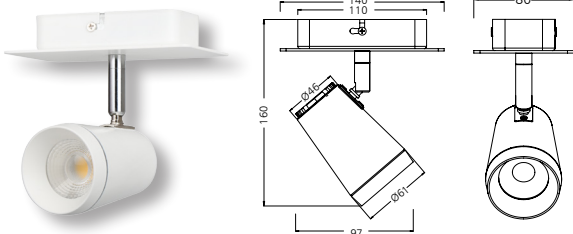
Technical Application
Guide for UP-SHINE
LED Spotlight
UP-TL19-10W

Introduction

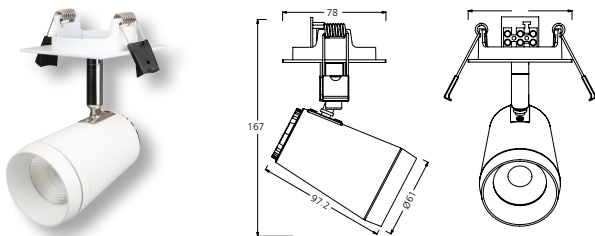
UP-TL19A-10W



UP-TL19B-10W



UP-TL19C-10W



Up-shine ceiling spotlight adopts die-casting ADC12 with excellent heat dissipation. CRI80 and high efficient COB led chip to assure that high center luminous intensity. It is designed with high transmittance optical lens, maximum utilization of light output. Adjustable lighting orientation with 340 degree in horizontal direction and 0-90 degree in vertical direction. Dimmable available, compatible with a wide range of recommended Triac dimmers. Lamp with surface mounted, track adaptor and recessed installations, can meet different demands and easy to install.

- Up to 70% energy saving compared to standard CFL
- Long lifetime of 40,000 hours
- 36°/60° beam angle
- CCT: 2700K 3000K
4000K 5000K
- No UV/IR light
- Environment friendly, without Mercury or any other hazardous substances

Application notes

- IP20 for indoor use only
- Professional electrician for installation only
- Switch off before installation
- Do not touch when in use
- Keep away from hot steam and corrosive gas

Application Areas

It is suitable for supermarket, specialty store, show window, exhibition hall; focus lighting, decorative and background lighting, where attention is focused on subjects to emphasize special visual points.

Certificate



Product Information

Technical Specifications

| Power | Voltage | Power Factor | Lumen (±5%) | Beam angle | CCT | Lifespan | CRI | Dimmable |
|-------|------------|--------------|-------------|------------|-------|----------|-----|----------|
| 10W | AC100-240V | ≥0.9 | 920 | 36°/60° | 2700K | 40000h | ≥80 | No |
| 10W | AC100-240V | ≥0.9 | 990 | 36°/60° | 3000K | 40000h | ≥80 | No |
| 10W | AC100-240V | ≥0.9 | 1040 | 36°/60° | 4000K | 40000h | ≥80 | No |
| 10W | AC100-240V | ≥0.9 | 1050 | 36°/60° | 5000K | 40000h | ≥80 | No |
| 10W | AC230V | ≥0.9 | 950 | 36°/60° | 2700K | 40000h | ≥80 | Yes |
| 10W | AC230V | ≥0.9 | 955 | 36°/60° | 3000K | 40000h | ≥80 | Yes |
| 10W | AC230V | ≥0.9 | 1010 | 36°/60° | 4000K | 40000h | ≥80 | Yes |
| 10W | AC230V | ≥0.9 | 1055 | 36°/60° | 5000K | 40000h | ≥80 | Yes |

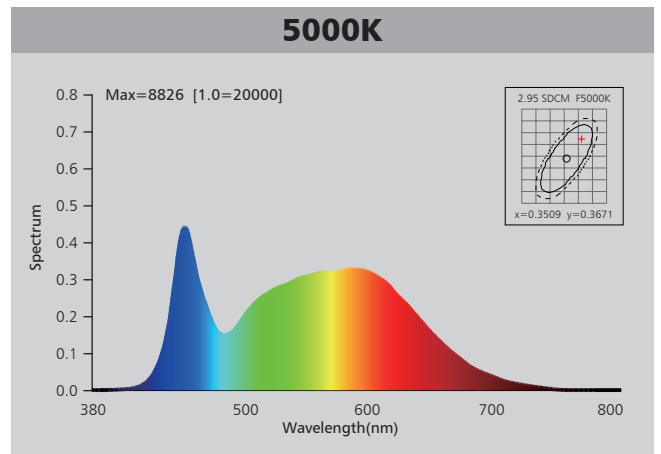
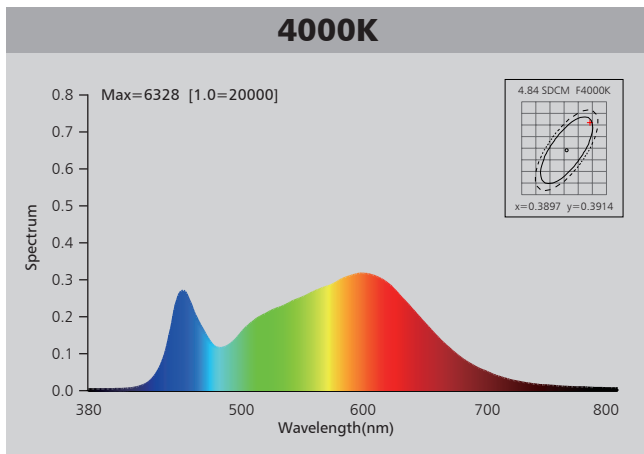
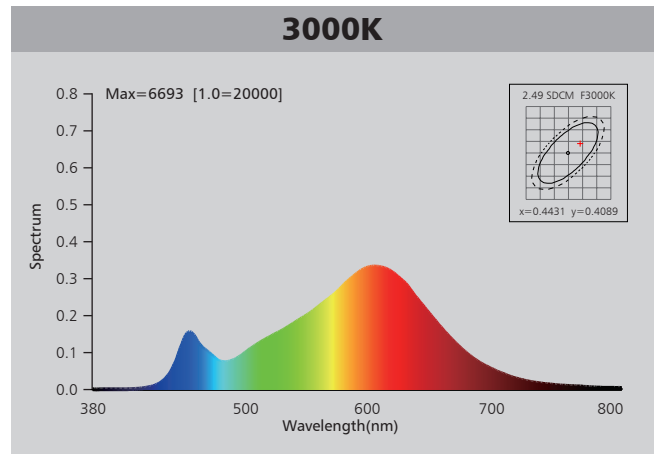
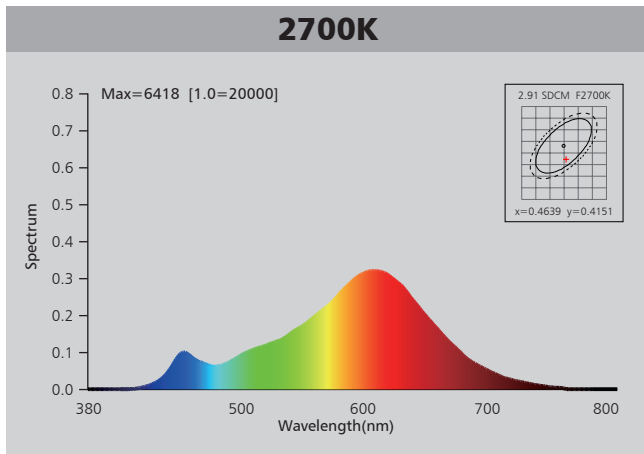
Driver data Sheet

| Driver data | DIM | Non-dim |
|-----------------------------|---------------|------------|
| Input rated Voltage | AC230V | AC100-240V |
| Frequency | 50Hz | 50/60Hz |
| Input Voltage | AC200-240V | AC85-265V |
| Efficiency | ≥79% | ≥78% |
| Total load Wattage | 10W±0.5W | 10W±0.5W |
| Power Factor | ≥0.9 | ≥0.9 |
| Rated input current | ≤0.06A | ≤0.12A |
| Full load output Voltage | DC28-38V | DC23-40V |
| Rated output current | 230mA | 250mA |
| Output current range | 230mA±5% | 250mA±5% |
| Power tolerance | ±5% | ±5% |
| Current output tolerance | ±5% | ±5% |
| Dimming range | 8%-100% | -- |
| Dimmer | Triac dimmers | -- |
| Short circuit protection | PASS | PASS |
| Over voltage protection | PASS | PASS |
| Over temperature protection | PASS | PASS |
| THD | <20% | <18% |
| Withstand voltage | AC1500V | AC1500V |

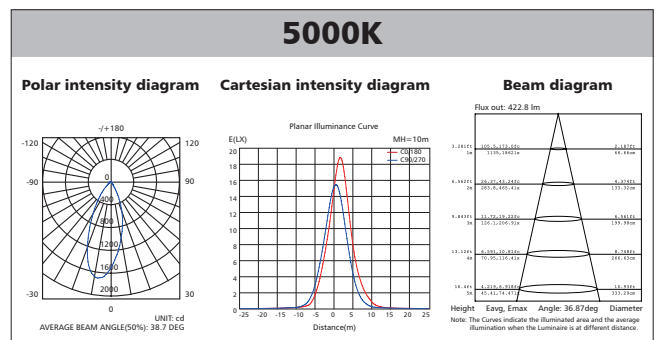
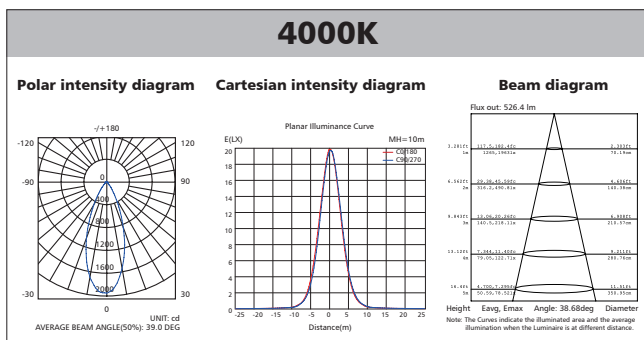
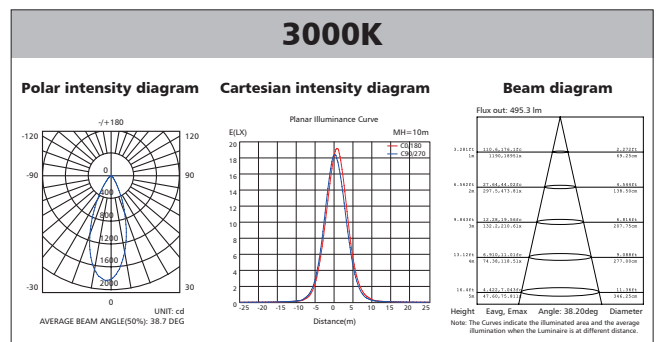
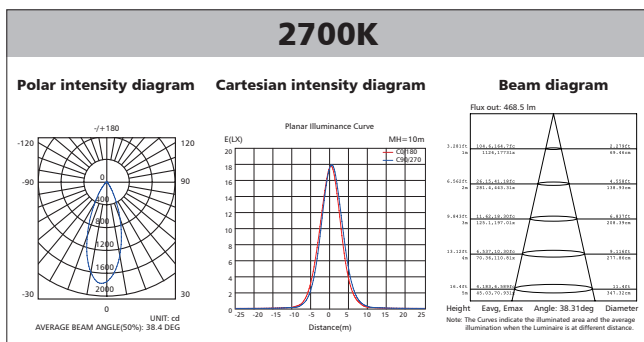
Fixture Compatibility

| Rated Wattage | Electrical Classification | Ingress Protection | Operating Temp | Operating Humidity | Storage Temp |
|---------------|---------------------------|--------------------|----------------|--------------------|--------------|
| 10W | I | IP20 | -20°C~45°C | 0~90% | -20°C~65°C |

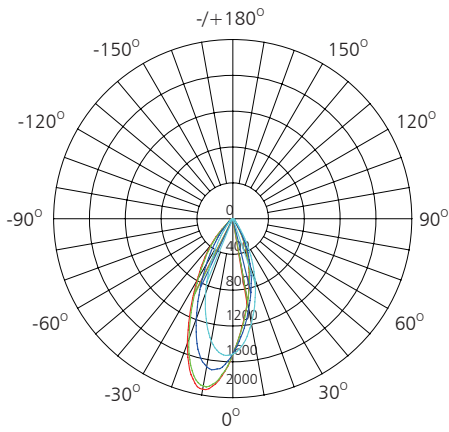
Spectral Distribution



Photometric Diagram



Polar Diagram Comparison



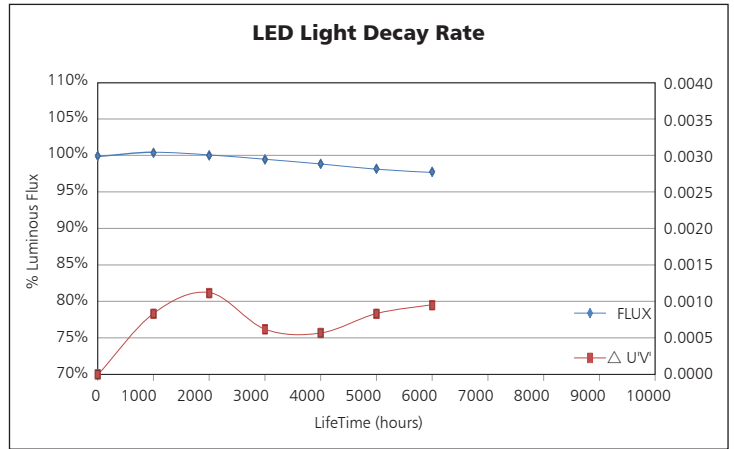
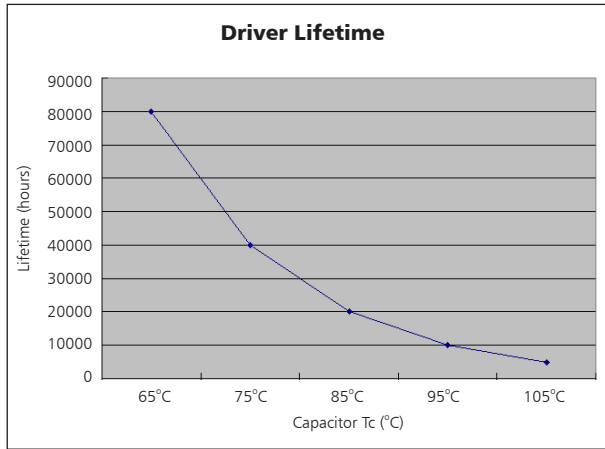
UNIT: cd

- C0/180, 36.8 deg
- C30/210, 37.0 deg
- C60/240, 39.1 deg
- C90/270, 41.7 deg

AVERAGE BEAM ANGLE (50%): 38.7DEG

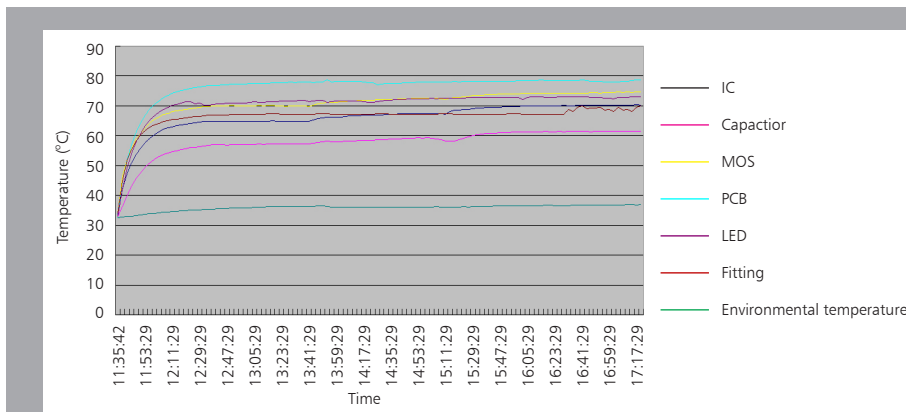


Driver lifetime & LED light decay rate



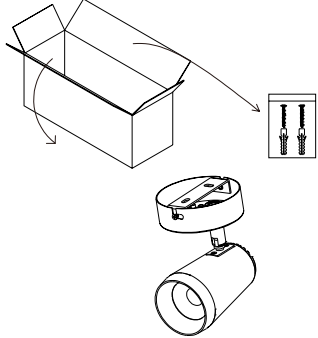
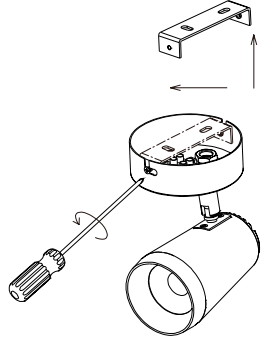
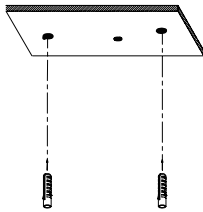
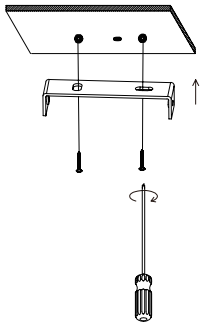
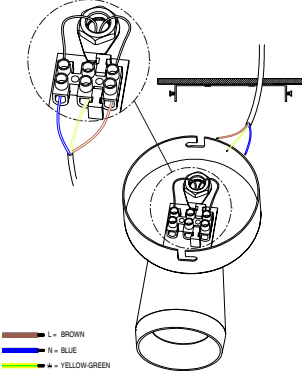
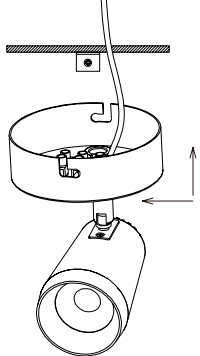
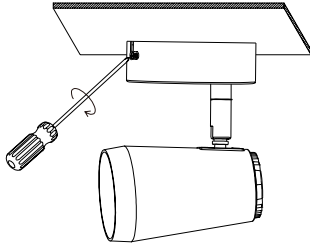
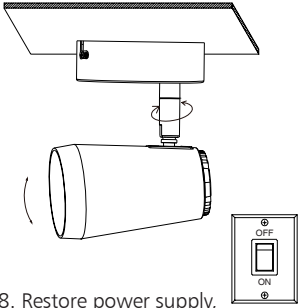
Temperature

- The testing is operated at 25°C
- The lifetime of capacitor, minimum of 5,000 hours if operated at 105°C, will be doubled whenever the temperature drops 10°C
- The highest withstand temperature of IC, MOS could be 120°C
- The highest withstand temperature of LED junction temperature is 150°C

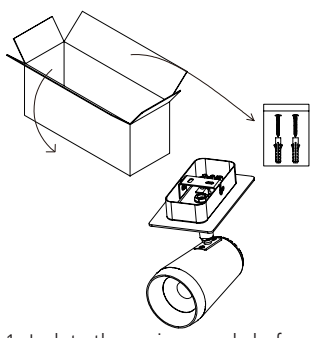
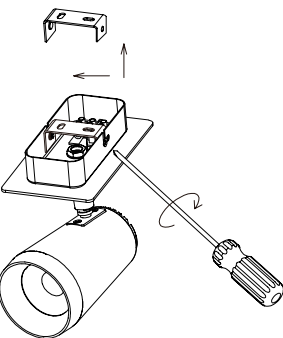
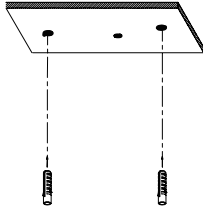
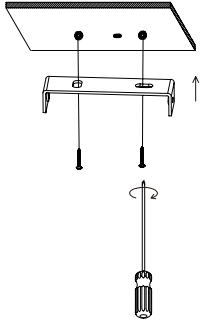
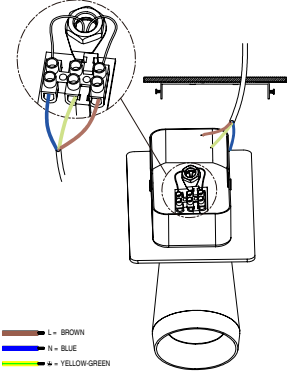
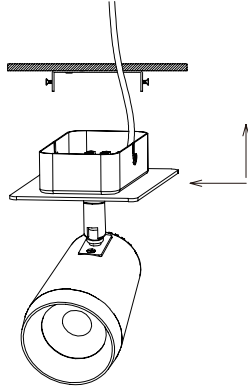
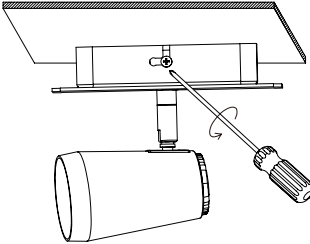
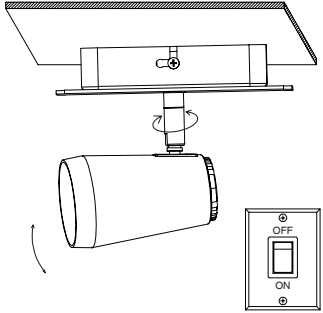


The driver lifespan is based on capacitor working temperature.

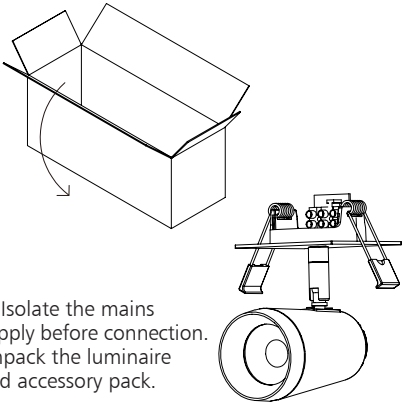
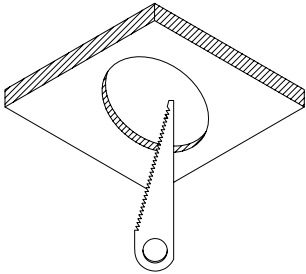
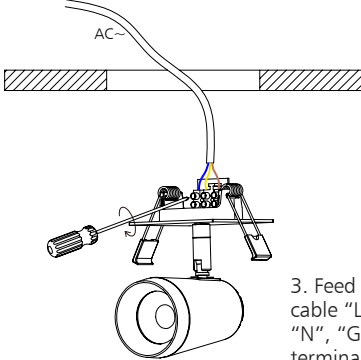
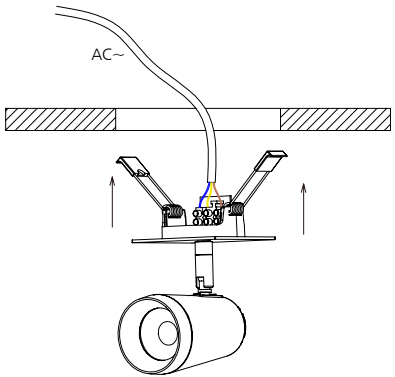
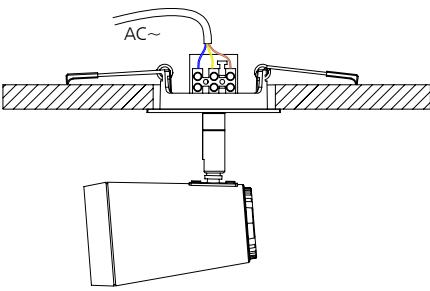
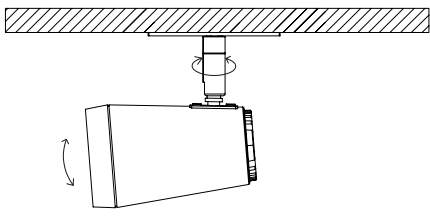
Installation (A)

| | | | |
|---|--|--|---|
|  <p>1. Isolate the mains supply before connection. Unpack the luminaire and accessory pack.</p> |  <p>2. Take bracket apart by loosening bracket screw.</p> |  <p>3. Knock-in the plastic anchors into the hole on ceiling, 38.5mm of hole distance.</p> |  <p>4. Fix bracket with screws on ceiling.</p> |
|  <p>5. Feed mains cable "L", "N", "G" to terminal block respectively.</p> <p> — L - BROWN — N - BLUE — G - YELLOW-GREEN </p> |  <p>6. Fix ceiling spotlight to bracket on ceiling.</p> |  <p>7. Fasten the bracket screw.</p> |  <p>8. Restore power supply, switch on and test for correct operation. Lamp head adjustable if needed.</p> |

Installation (B)

| | | | |
|---|--|--|---|
|  <p>1. Isolate the mains supply before connection. Unpack the luminaire and accessory pack.</p> |  <p>2. Take bracket apart by loosening bracket screw.</p> |  <p>3. Knock-in the plastic anchors into the hole on ceiling, 24mm of hole distance.</p> |  <p>4. Fix bracket with screws on ceiling.</p> |
|  <p>5. Feed mains cable "L", "N", "G" to terminal block respectively.</p> <p> — L - BROWN — N - BLUE — G - YELLOW-GREEN </p> |  <p>6. Fix ceiling spotlight to bracket on ceiling.</p> |  <p>7. Fasten the bracket screw.</p> |  <p>8. Restore power supply, switch on and test for correct operation. Lamp head adjustable if needed.</p> |

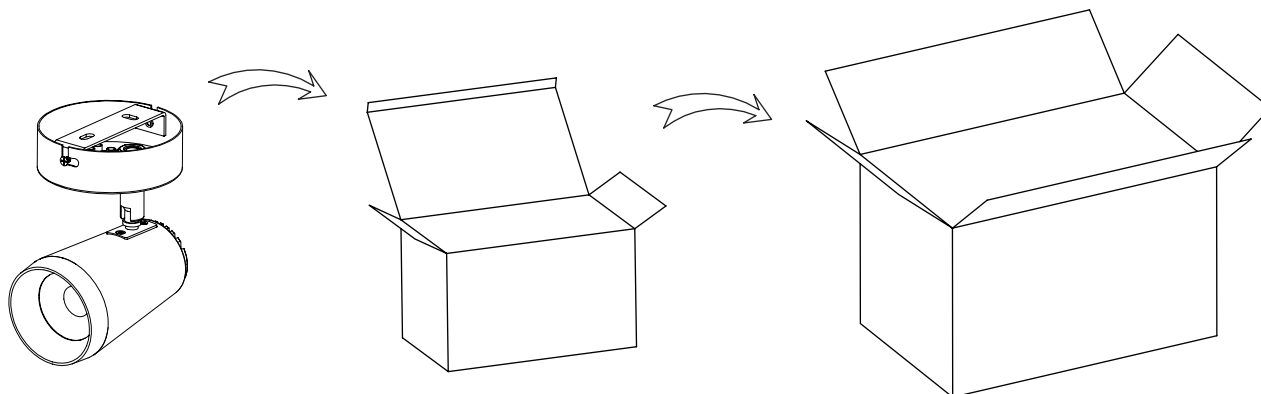
Installation (C)

| | | |
|--|--|--|
|  <p>1. Isolate the mains supply before connection. Unpack the luminaire and accessory pack.</p> |  <p>2. Ceiling opening $\varnothing 68\text{mm}$.</p> |  <p>3. Feed mains cable "L", "N", "G" to terminal block respectively.</p> |
|  <p>4. Hold the spring clips upwards then push lamp into the position.</p> |  <p>5. Check the luminaire to make sure it's firmly enough after installation.</p> |  <p>6. Adjust the luminaire to meet different lighting demands.</p> |

Packaging Information(A)

| | SIZE(CM) | N.W/pc (KGS) | G.W.(KGS) | Q'TY(PCS) |
|--------|--------------|--------------|-----------|-----------|
| Carton | 41.5*38.5*49 | 0.28 | 9.5 | 24 |

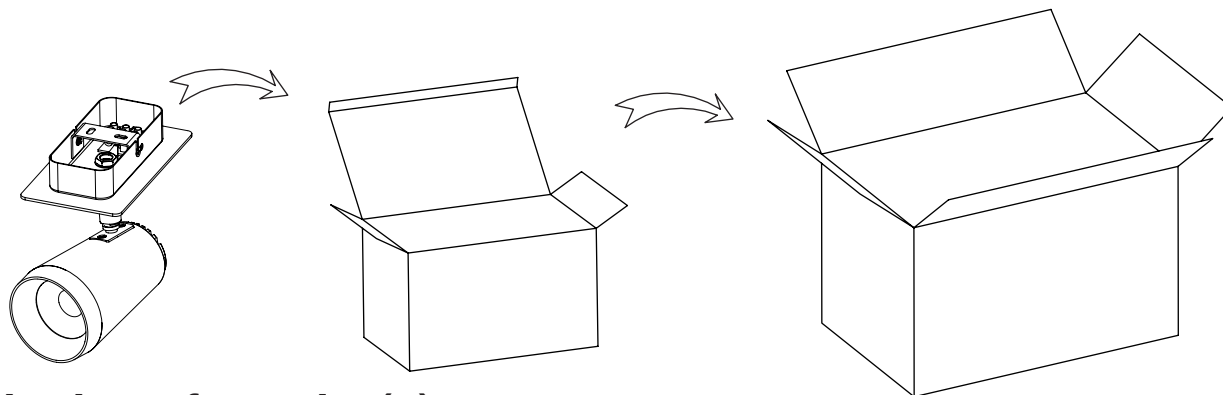
| | CTNS | Q'TY(PCS) | VOLUME(CBM) |
|------------------------|------|-----------|-------------|
| 20" standard container | 353 | 8472 | 28 |
| 40" standard container | 706 | 16944 | 56 |



Packaging Information(B)

| | SIZE(CM) | N.W/pc (KGS) | G.W.(KGS) | Q'TY(PCS) |
|--------|--------------|--------------|-----------|-----------|
| Carton | 41.5*38.5*49 | 0.48 | 14.3 | 24 |

| | CTNS | Q'TY(PCS) | VOLUME(CBM) |
|------------------------|------|-----------|-------------|
| 20" standard container | 353 | 8472 | 28 |
| 40" standard container | 706 | 16944 | 56 |



Packaging Information(C)

| | SIZE(CM) | N.W/pc (KGS) | G.W.(KGS) | Q'TY(PCS) |
|--------|--------------|--------------|-----------|-----------|
| Carton | 41.5*38.5*49 | 0.28 | 9.5 | 24 |

| | CTNS | Q'TY(PCS) | VOLUME(CBM) |
|------------------------|------|-----------|-------------|
| 20" standard container | 353 | 8472 | 28 |
| 40" standard container | 706 | 16944 | 56 |

