



Technical Application Guide for UP-SHINE LED track light

UP-TL04-4*10W-B

Introduction



Up-shine LED track light adopts high efficient reflector and COB LED chip. It is designed with advanced light distribution technology without glare, maximum utilization of light output. Dimmable available for wide choice; surface mounted and embedded installation provided for all possible installation situations.

- Up to 70% energy saving
- Long lifetime of 40,000 hours
- 36° beam angle
- CCT: 3000K 5000K
- No UV/IR light
- Environment friendly, without Mercury or any other hazardous substances

Application notes

- IP20 for indoor use only
- Professional electrician for installation only
- Switched off before installation
- Do not touch when in use
- Keep away from hot steam and corrosive gas

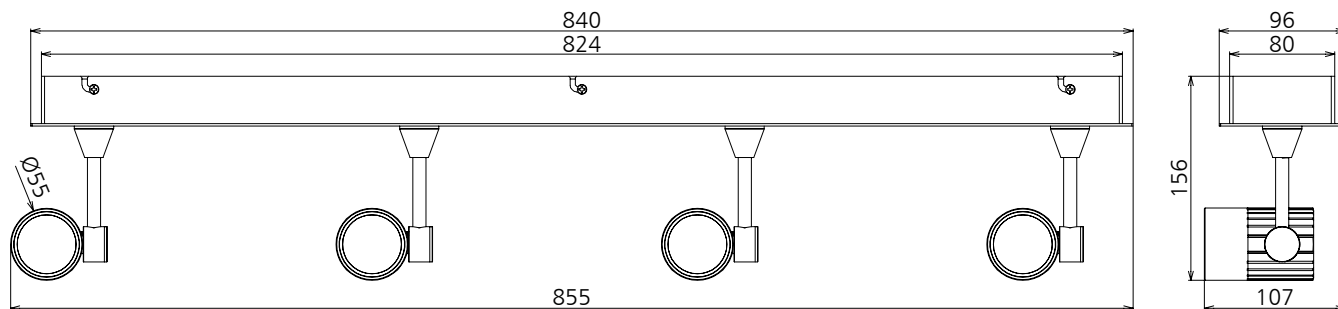
Application Areas

It is suitable for supermarket, specialty store, show window, exhibition hall, focus lighting, decorative and background lighting, where attention is focused on subjects to emphasize special visual points.

Certificate

CE **RoHS**

Product Information



Technical Specifications

| Model | Voltage | Power | Power Factor | Lumen (±5%) | Beam angle | CCT | Lifespan | CRI | Dimmable | Dimension |
|-----------------|---------|-------|--------------|-------------|------------|-------|----------|-----|----------|---------------|
| UP-TL04-4*10W-B | AC230V | 4*10W | ≥0.9 | 3480 | 36° | 3000K | 40000h | ≥80 | Yes | 855*107*156mm |
| UP-TL04-4*10W-B | AC230V | 4*10W | ≥0.9 | 3680 | 36° | 5000K | 40000h | ≥80 | Yes | 855*107*156mm |

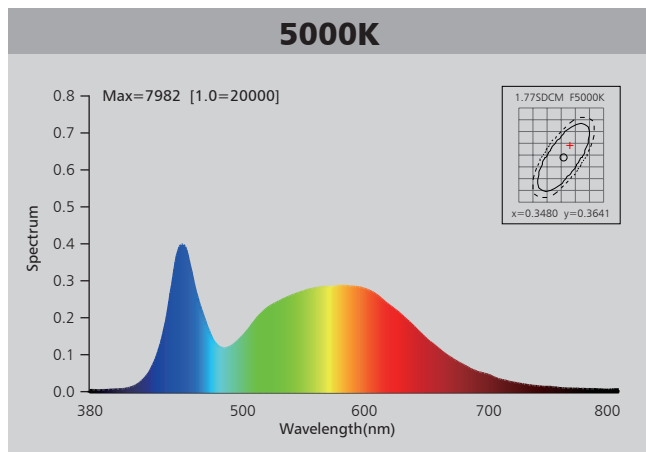
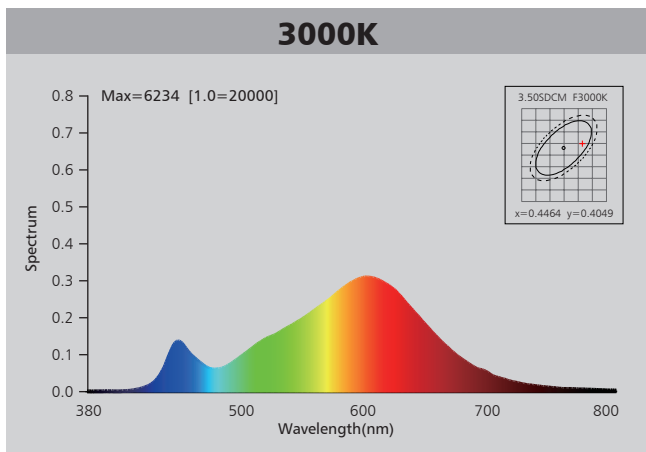
Driver data Sheet

| Driver data | DIM |
|-----------------------------|---------------|
| Input rated Voltage | AC230V |
| Frequency | 50HZ |
| Input Voltage | AC200-240V |
| Efficiency | ≥80% |
| Total load Wattage | 2*20W±1W |
| Power Factor | ≥0.9 |
| Rated input current | ≤2*0.12A |
| Full load output Voltage | 30-40V |
| Rated output current | 2*500mA |
| Output current range | 2*500mA±5% |
| Power tolerance | ±5% |
| Current output tolerance | ±5% |
| Dimming range | 8%-100% |
| Dimmer | Triac dimmers |
| Withstand voltage | AC1500V |
| Short circuit protection | PASS |
| Over voltage protection | PASS |
| Over temperature protection | PASS |

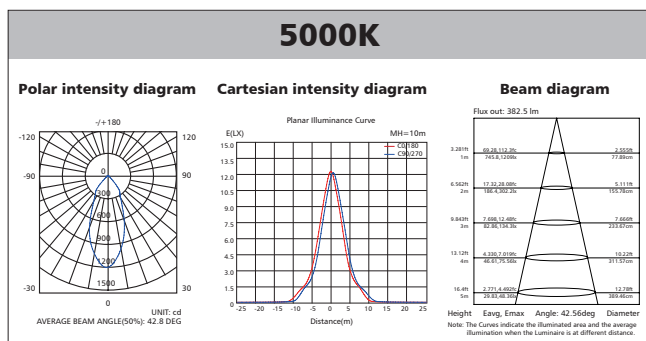
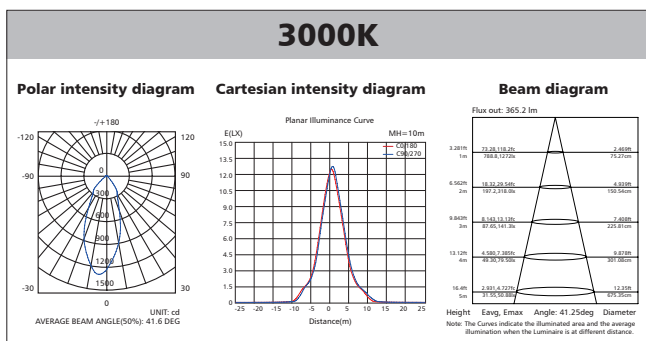
Fixture Compatibility

| Rated Wattage | Electrical Classification | Ingress Protection | Operating Temp | Operating Humidity | Storage Temp |
|---------------|---------------------------|--------------------|----------------|--------------------|--------------|
| 4*10W | I | IP20 | -20°C~45°C | 0~90% | -20°C~65°C |

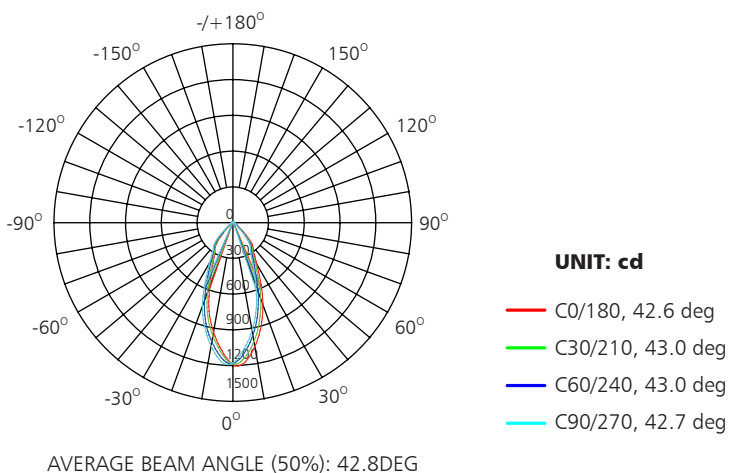
Spectral Distribution



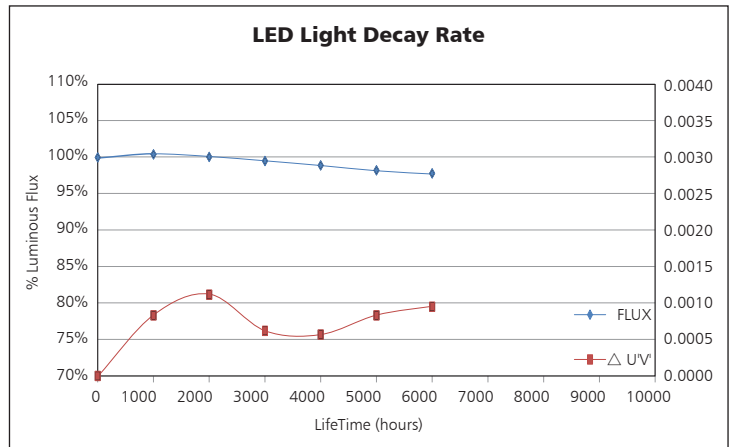
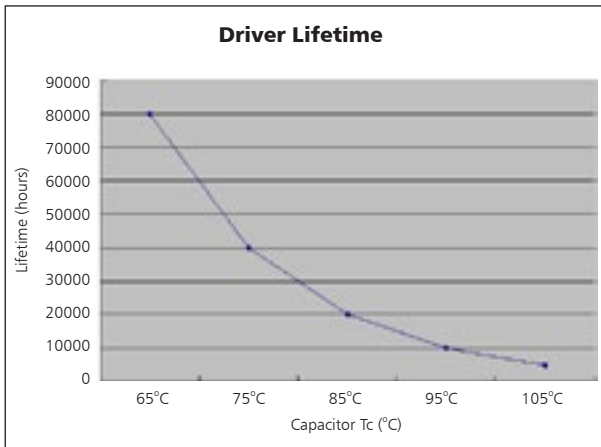
Photometric Diagram



Polar Diagram Comparison

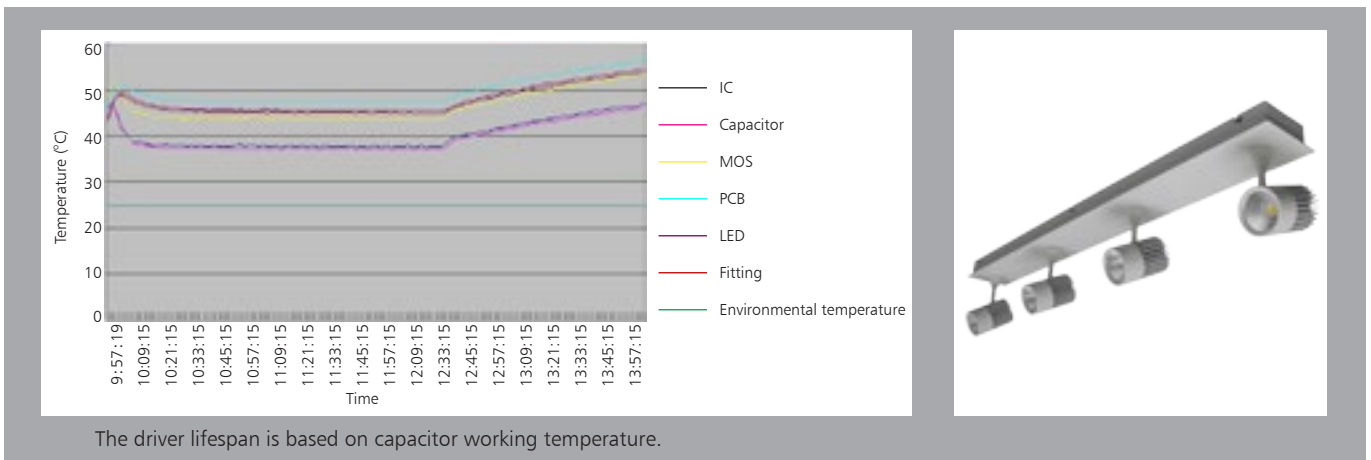


Driver lifetime & LED light decay rate

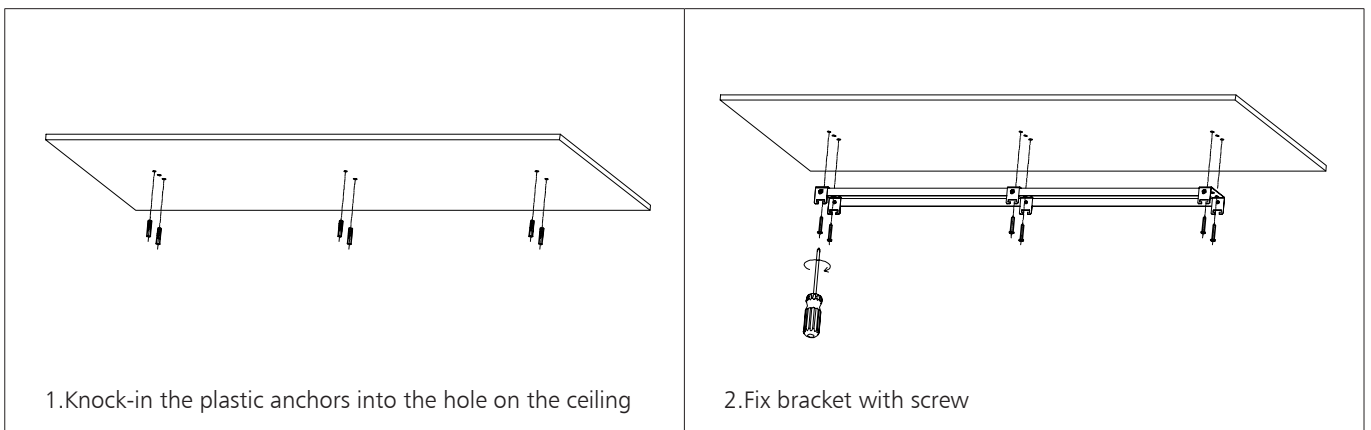


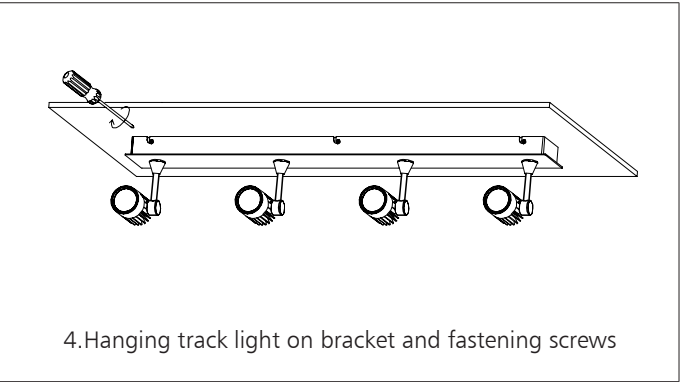
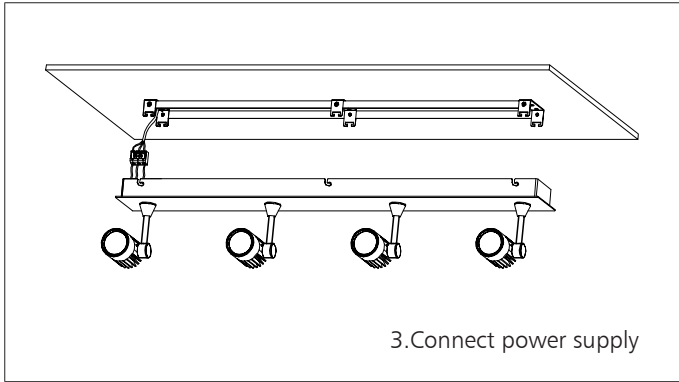
Temperature

- The testing is operated at 25°C
- The lifetime of capacitor, minimum of 5,000 hours if operated at 105°C, will be doubled whenever the temperature drops 10°C
- The highest withstand temperature of IC, MOS could be 120°C
- The highest withstand temperature of LED junction temperature is 150°C

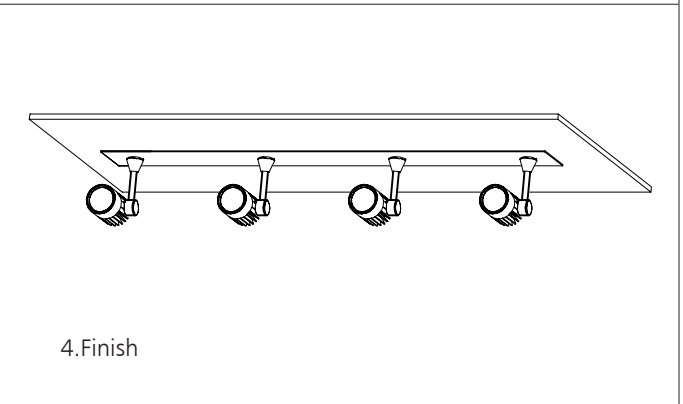
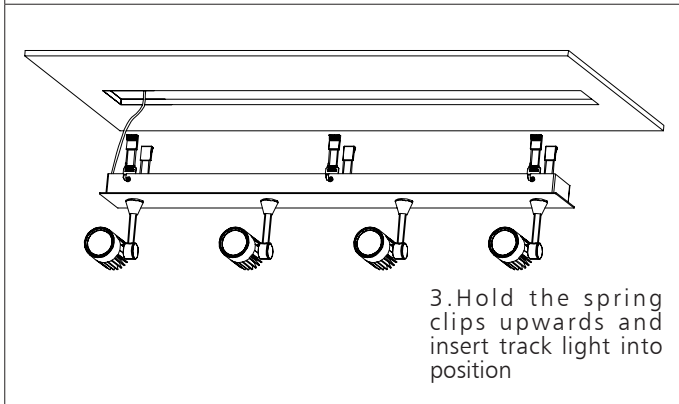
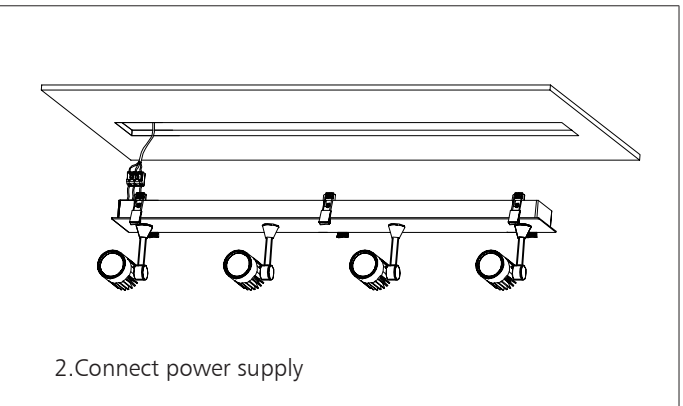
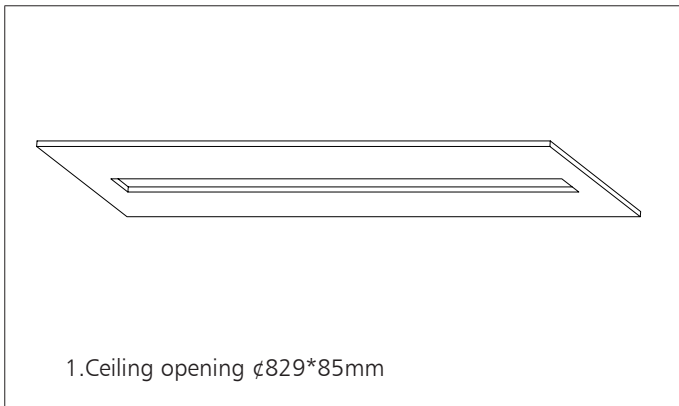


Ceiling mounted installation:





Embedded installation:



Packaging Information

| | SIZE(CM) | N.W/pc (KGS) | G.W.(KGS) | Q'TY(PCS) |
|--------|----------------|--------------|-----------|-----------|
| Carton | 91.5*40.5*32.5 | 2.4 | 14.1 | 4 |

| | CTNS | Q'TY(PCS) | VOLUME(CBM) |
|------------------------|------|-----------|-------------|
| 20" standard container | 214 | 856 | 28 |
| 40" standard container | 429 | 1716 | 56 |

