



UPSHINE®



Technical Application
Guide for UP SHINE
LED Track Light
UP-TL02-12W

Introduction



Up-shine track light adopts high lumen CITIZEN LEDs with excellent color rendering index to increase the color fidelity of the target illuminated object. It provides excellent heat dissipation and even light output without glare or dark spot. Adjustable lighting orientation with 360 degree in horizontal direction and 180 in vertical direction provided. 1-circuit adapter, 3-circuit adapter are all available.

- Up to 70% energy saving compared to standard CFL
- Long lifetime of 40,000 hours
- 15° 30° 45° beam angle
- CCT: 2700K 3000K
4000K 5000K
- No UV/IR light
- Environment friendly, without Mercury or any other hazardous substances

Application notes

- IP20 for indoor use only
- Professional electrician for installation only
- Switch off before installation
- Do not touch when in use
- Keep away from hot steam and corrosive gas

Application Areas

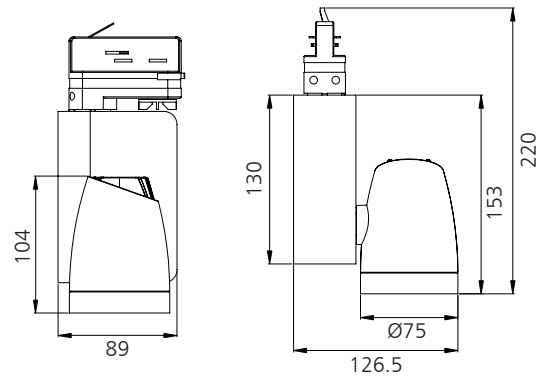
It is suitable for supermarket, specialty store, show window, exhibition hall, focus lighting, decorative and background lighting, where attention is focused on subjects to emphasize special visual points.

Certificate

CE RoHS SAA



Product Information



Technical Specifications

Model	Voltage	Power	Power Factor	Lumen (±10%)	Beam angle	CCT	Lifespan	CRI	Dimmable	Dimension
UP-TL02-12W	AC100-240V	12W	≥0.9	1230	15°/30°/45°	2700K	40000h	≥80	No	126.5*89*220mm
UP-TL02-12W	AC100-240V	12W	≥0.9	1290	15°/30°/45°	3000K	40000h	≥80	No	126.5*89*220mm
UP-TL02-12W	AC100-240V	12W	≥0.9	1380	15°/30°/45°	4000K	40000h	≥80	No	126.5*89*220mm
UP-TL02-12W	AC100-240V	12W	≥0.9	1350	15°/30°/45°	5000K	40000h	≥80	No	126.5*89*220mm

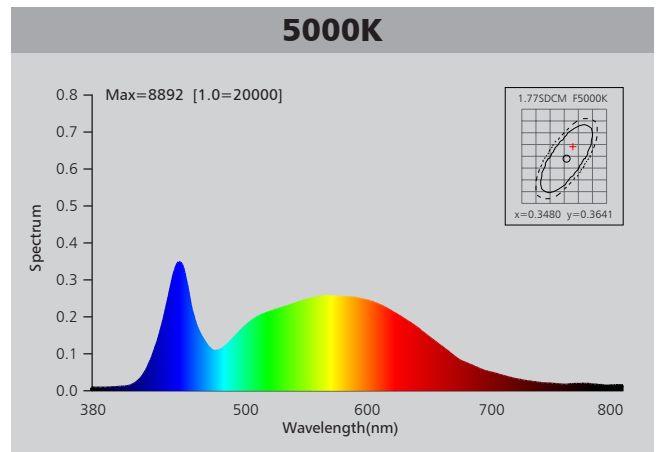
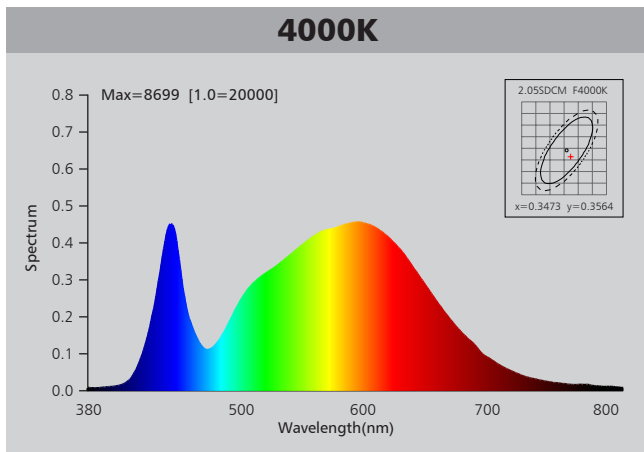
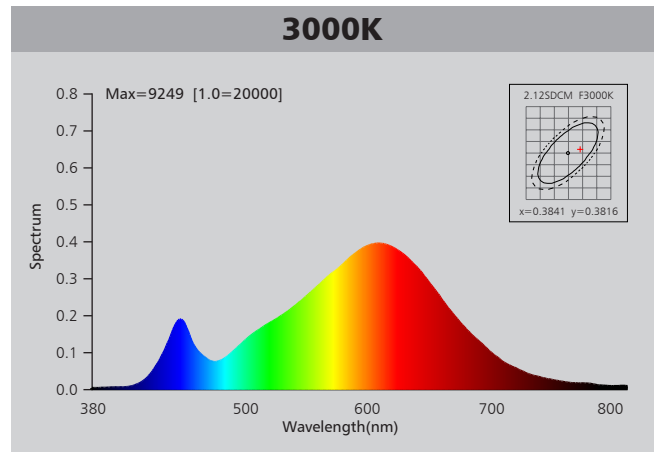
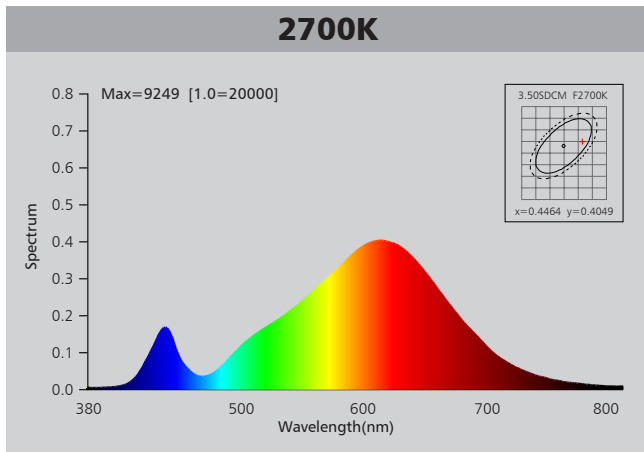
Driver data Sheet

Driver data	Non-dim
Input rated Voltage	AC100-240V
Frequency	50/60HZ
Input Voltage	AC85-265V
Efficiency	≥83%
Total load Wattage	12W±1W
Power Factor	≥0.9
Rated input current	≤0.15A
Full load output Voltage	DC30-40V
Rated output current	280mA
Output current range	280mA±5%
Power tolerance	±5%
Current output tolerance	±5%
Short circuit protection	PASS
Over voltage protection	PASS
Over temperature protection	PASS
Withstand voltage	AC1500V

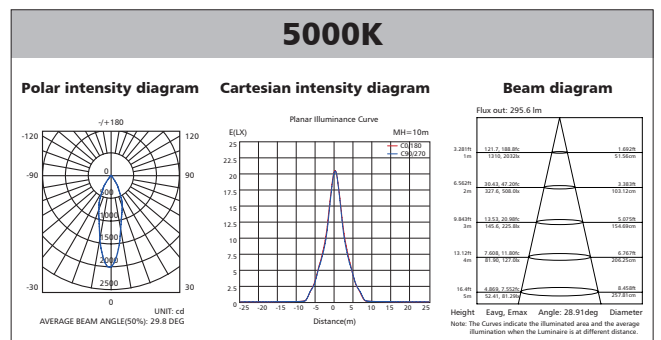
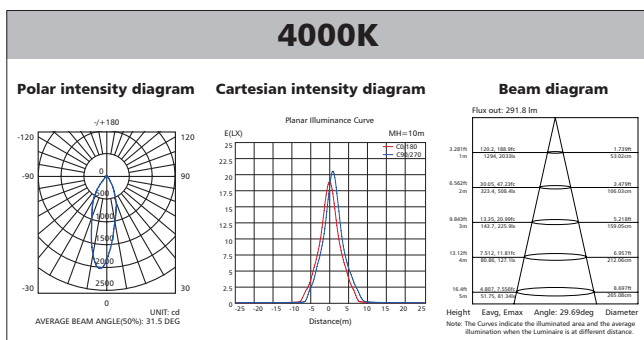
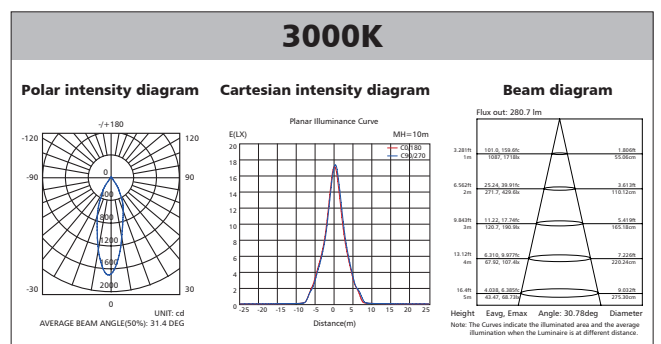
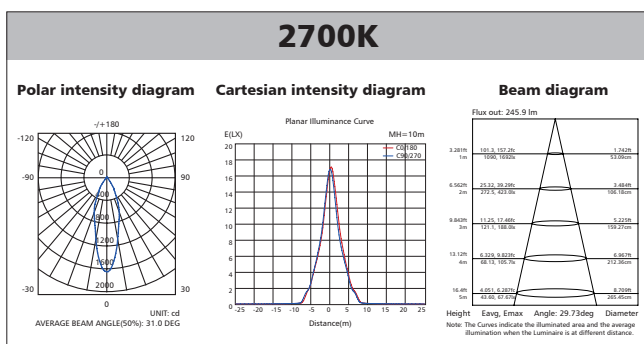
Fixture Compatibility

Rated Wattage	Electrical Classification	Ingress Protection	Operating Temp	Operating Humidity	Storage Temp
12W	I	IP20	-20°C~45°C	0~90%	-20°C~65°C

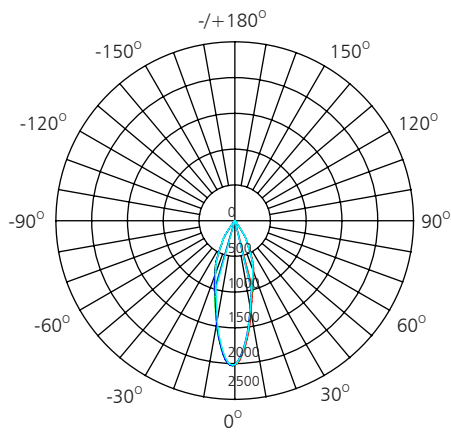
Spectral Distribution



Photometric Diagram



Polar Diagram Comparison



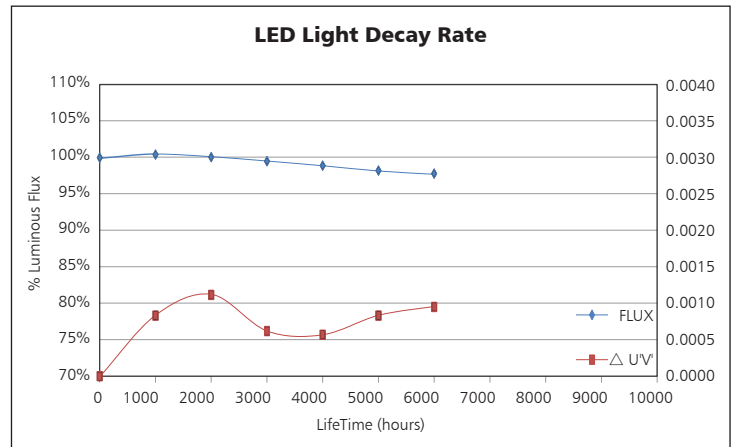
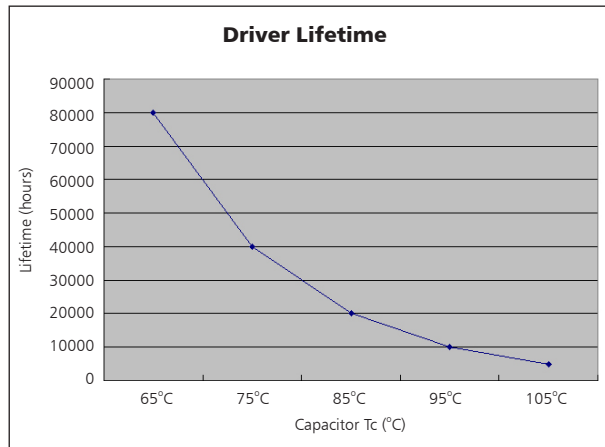
UNIT: cd

- C0/180, 30.9 deg
- C30/210, 30.2 deg
- C60/240, 29.4 deg
- C90/270, 28.9 deg

AVERAGE BEAM ANGLE (50%): 29.8DEG

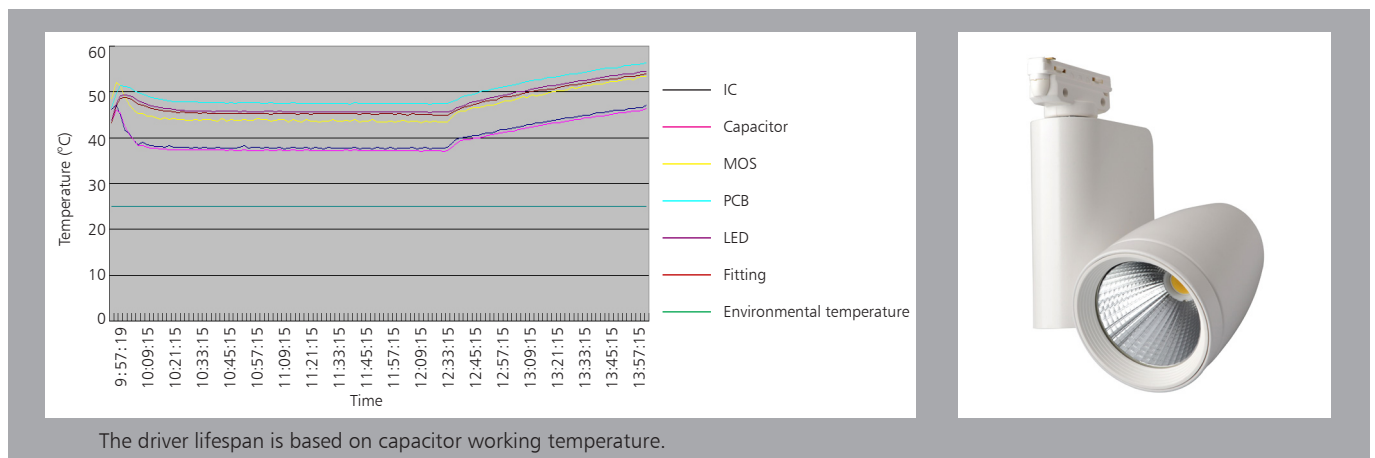


Driver lifetime & LED light decay rate



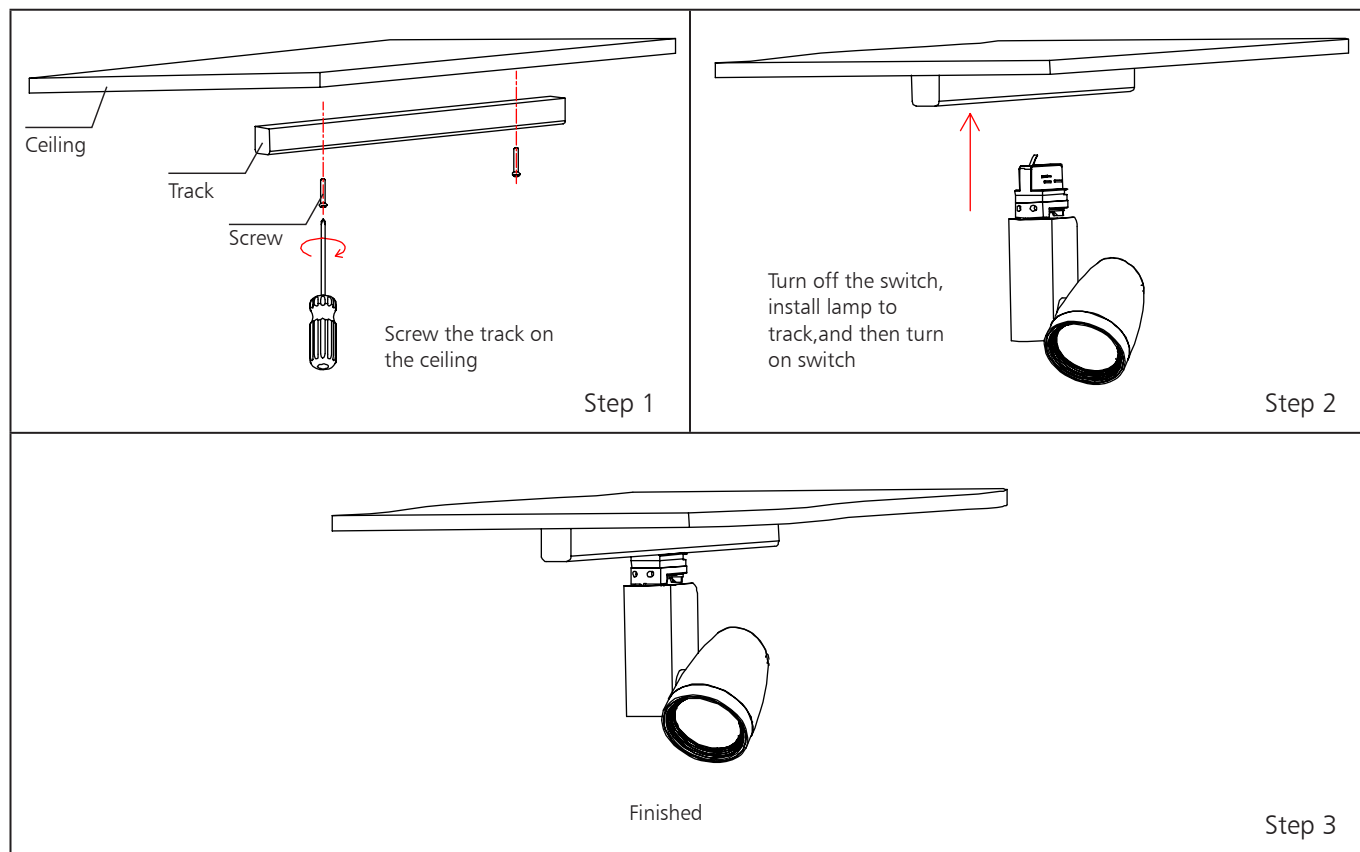
Temperature

- The testing is operated at 25°C
- The lifetime of capacitor, minimum of 5,000 hours if operated at 105°C, will be doubled whenever the temperature drops 10°C
- The highest withstand temperature of IC, MOS could be 120°C
- The highest withstand temperature of LED junction temperature is 150°C



The driver lifespan is based on capacitor working temperature.

Installation



Packaging Information

	SIZE(CM)	N.W/pc (KGS)	G.W.(KGS)	Q'TY(PCS)
Carton	54*49.5*24.5	0.7	11.1	12

	CTNS	Q'TY(PCS)	VOLUME(CBM)
20" standard container	420	5040	28
40" standard container	840	10080	56

