



Up-shine<sup>®</sup> Lighting



Technical Application  
Guide for UP-SHINE  
LED Spotlight

UP-SP43MR16-5W

# Introduction



LED Spotlight adopts high lumen LED, with high brightness and slight light decay. Excellent heat dissipation with aluminum heatsink and good color rendering index up to 80. MR16, GU10 base available, easy installation, with direct replacement of the traditional halogen.

- Up to 70% energy saving compared to halogen lamp
- Long lifetime of 40,000 hours
- 36° beam angle
- Standard 50mm diameter
- CCT: 3000K 4000K  
5000K 5700K
- No UV/IR light
- Environment friendly, without Mercury or any other hazardous substances

## Application notes

- IP20 for indoor use
- Professional electrician for installation only
- Switch off before installation
- Do not touch when in use
- Keep away from hot steam and corrosive gas

## Application Areas

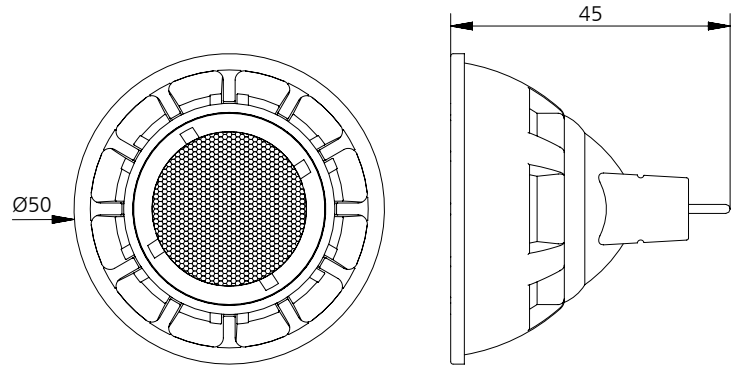
Application: It is widely used in residential lighting, such as bedroom, living room dining room, kitchen etc. Also commercial lighting, like hotel, restaurant, bar, shops etc.

## Certificates

CE RoHS



# Product Information



## Technical Specifications

Model	Voltage	Power	Power Factor	Lumen (±5%)	Beam angle	CCT	Lifespan	CRI	Dimension
UP-SP43MR16-5W	AC/DC12V	5W	1	345	36°	3000K	40000h	≥80	Ø50*45mm
UP-SP43MR16-5W	AC/DC12V	5W	1	360	36°	4000K	40000h	≥80	Ø50*45mm
UP-SP43MR16-5W	AC/DC12V	5W	1	365	36°	5000K	40000h	≥80	Ø50*45mm
UP-SP43MR16-5W	AC/DC12V	5W	1	370	36°	5700K	40000h	≥80	Ø50*45mm

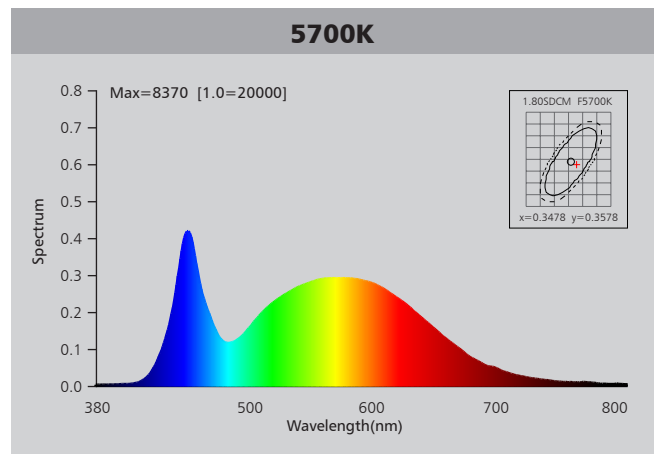
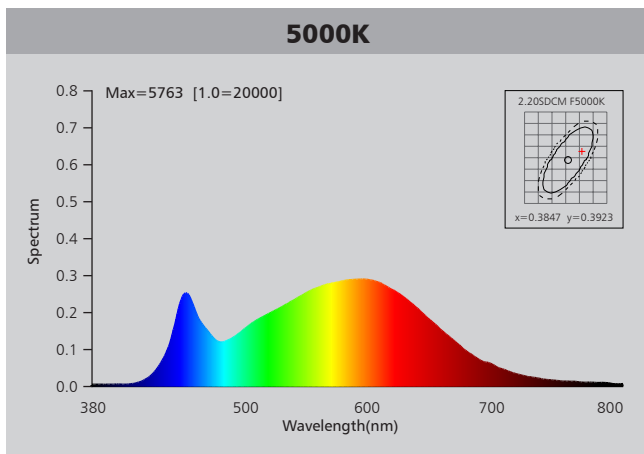
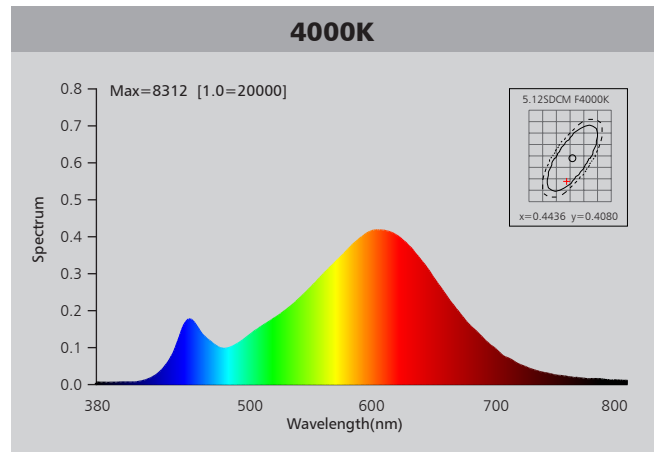
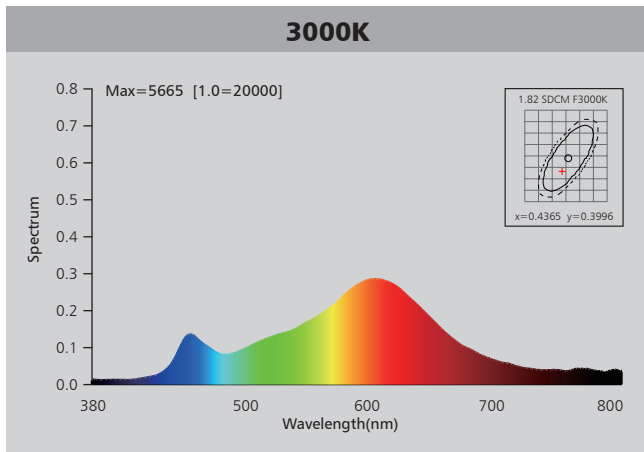
## Driver data Sheet

Driver data	Non-dim
Input rated Voltage	AC/DC 12V
Frequency	50/60Hz
Input Voltage	AC/DC 12V
Efficiency	≥76%
Total load Wattage	5W±0.5W
Power Factor	1
Rated input current	≤0.8A
Full load output Voltage	DC5-8V
Rated output current	650mA
Output current range	650mA±5%
Power tolerance	±5%
Current output tolerance	±5%

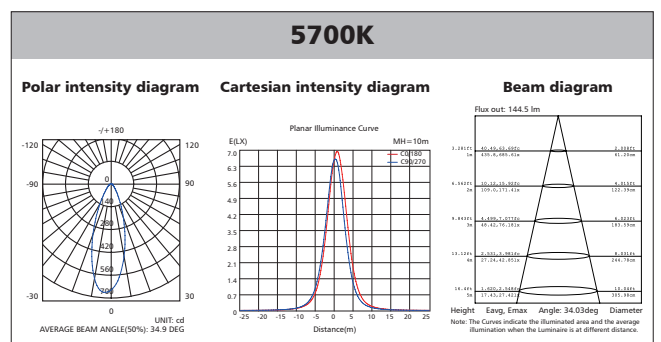
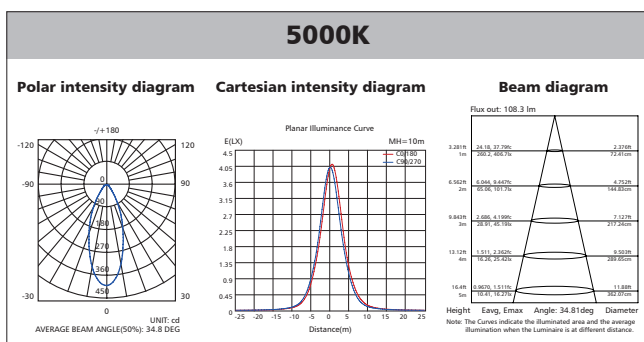
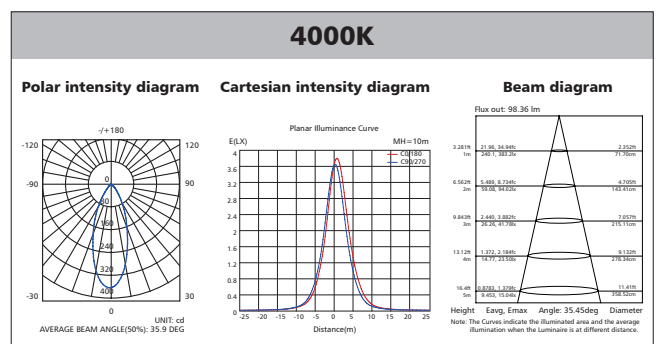
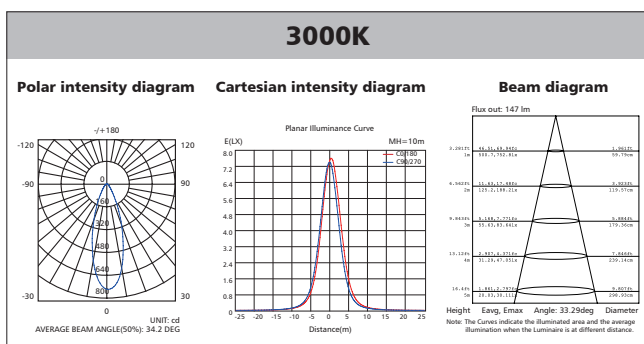
## Fixture Compatibility

Rated Wattage	Electrical Classification	Ingress Protection	Operating Temp	Operating Humidity	Storage Temp
5W	III	IP20	-20°C~45°C	0~90%	-20°C~65°C

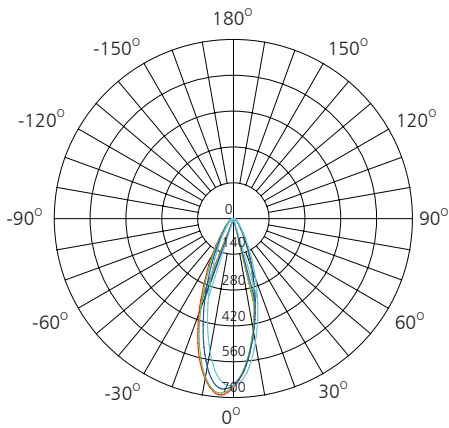
# Spectral Distribution



# Photometric Diagram



# Polar Diagram Comparison



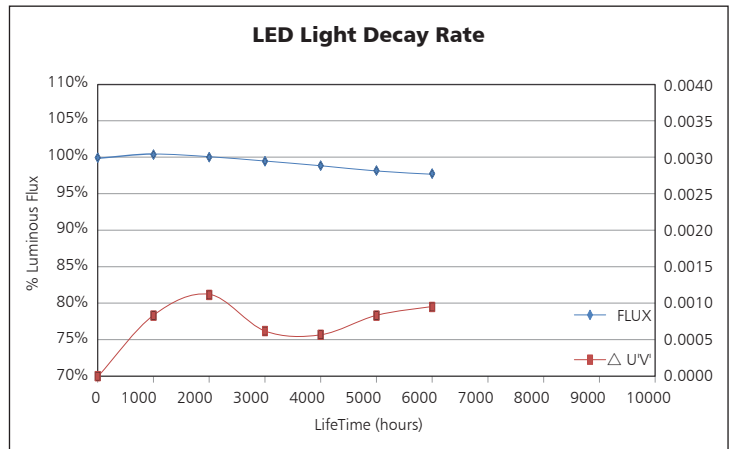
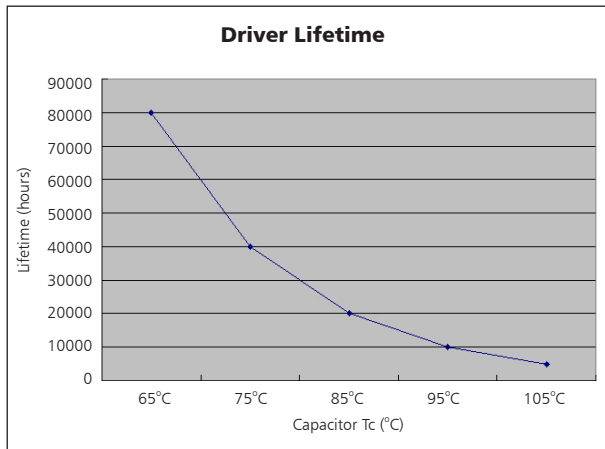
UNIT: cd

- C0/180, 35.6 deg
- C30/210, 35.0 deg
- C60/240, 34.5 deg
- C90/270, 34.4 deg

AVERAGE BEAM ANGLE (50%): 34.9 DEG

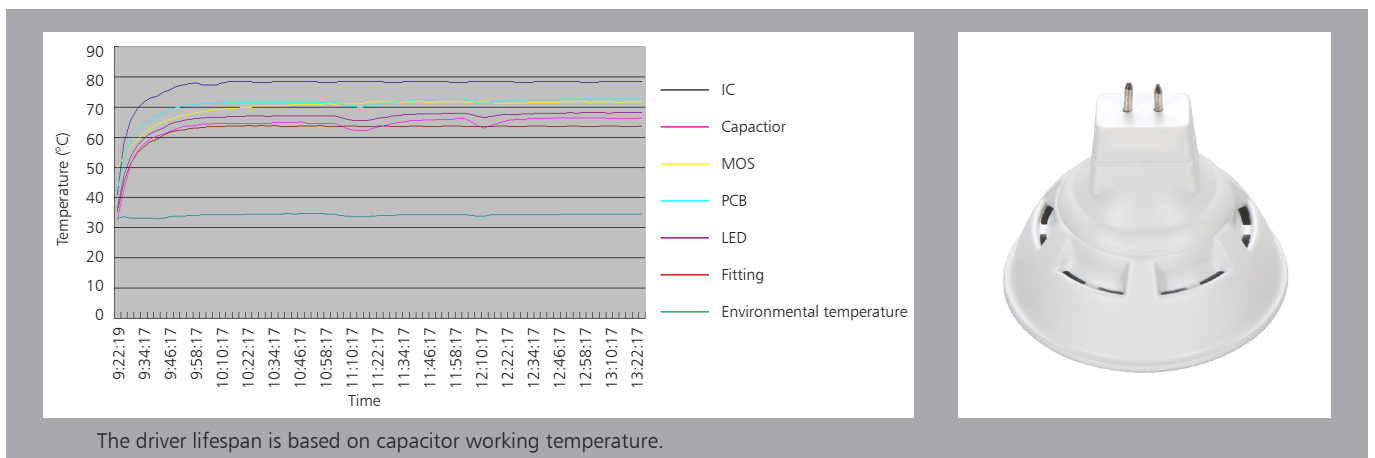


# Driver lifetime & LED light decay rate



# Temperature

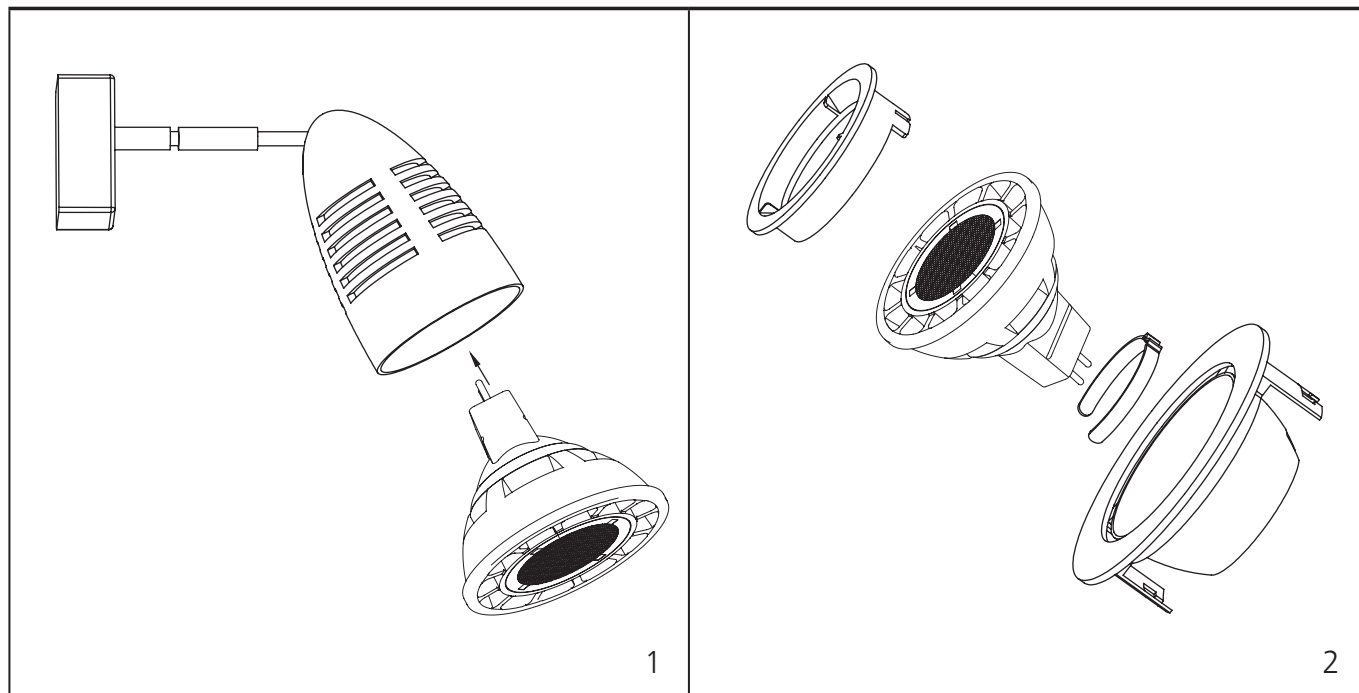
- The testing is operated at 25°C
- The lifetime of capacitor, minimum of 5,000 hours if operated at 105°C, will be doubled whenever the temperature drops 10°C
- The highest withstand temperature of IC, MOS could be 120°C
- The highest withstand temperature of LED junction temperature is 150°C



The driver lifespan is based on capacitor working temperature.



## Installation



## Packaging Information

	SIZE(CM)	N.W/pc (KGS)	G.W.(KGS)	Q'TY(PCS)
Carton	29*29*26	0.035	5.9	100

	CTNS	Q'TY(PCS)	VOLUME(CBM)
20" standard container	1224	122400	28
40" standard container	2448	244800	56

