



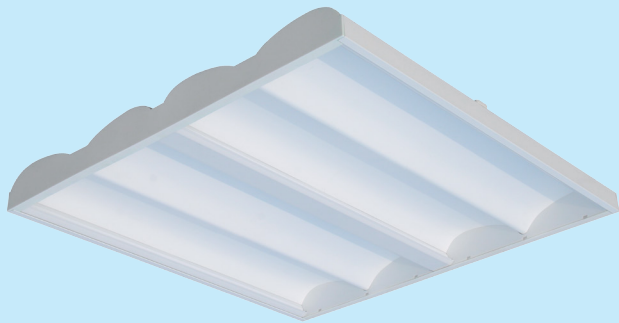
Up-shine<sup>®</sup> Lighting



Technical Application  
Guide for UP-SHINE  
LED Panel Light

UP-PL6060-38W-E

# Introduction



Edge Lit LED Panel luminaire combines high reflection material with unique curved design to achieve unparalleled Optical effect. Lower UGR, greatly reduced discomforts caused to our eyes. It is a panel without LGP, another way of cost saving. The reflector is made of high reflectivity PC material with 94-V0 fire rating, it creates high lumen output, light efficiency up to 95lm/W. Clear or prismatic diffuser for your choice. Dimmable option: triac dim or 0-10V dim. Compared with regular panel, the new design is lighter to carry, easier to install and maintain.

- Low cost with high performance
- Low UGR <19
- 94-V0 fire rating PC
- Clear or prismatic diffuser
- High light efficiency of 95LM/W
- Wide range of control gear for option

## Application notes

- IP20 for indoor use only
- Professional electrician for installation only
- Switch off before installation
- Do not touch when in use
- Keep away from hot steam and corrosive gas

## Application Areas

Office & school lighting: office, meeting room, class room etc.

Commercial lighting: shopping mall, super market, retailer shops etc.

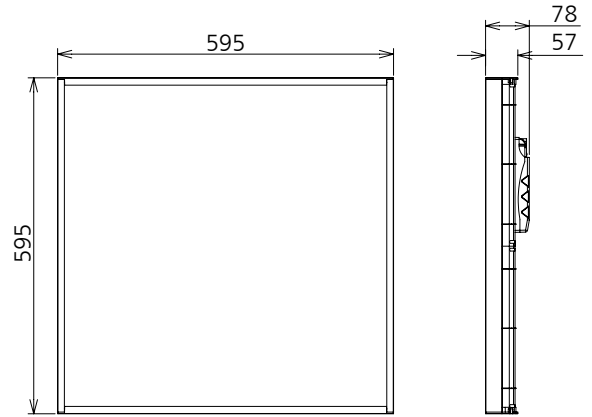
Other situations: hospital, laboratory, dust-free workshop etc.

## Certificates

CE RoHS



# Product Information



## Technical Specifications

Model	Voltage	Power	Power Factor	Lumen (±5%)	Beam angle	CCT	Lifespan	CRI	Dimmable	Dimension
UP-PL6060-38W-E	AC230V	38W	≥0.9	3610	120°	3000K	40000h	≥80	No	595*595*78mm
UP-PL6060-38W-E	AC230V	38W	≥0.9	3720	120°	4000K	40000h	≥80	No	595*595*78mm
UP-PL6060-38W-E	AC230V	38W	≥0.9	3800	120°	5000K	40000h	≥80	No	595*595*78mm
UP-PL6060-38W-E	AC230V	38W	≥0.9	3700	120°	5700K	40000h	≥80	No	595*595*78mm
UP-PL6060-38W-E-D	AC230V	38W	≥0.9	3530	120°	3000K	40000h	≥80	Yes	595*595*78mm
UP-PL6060-38W-E-D	AC230V	38W	≥0.9	3650	120°	4000K	40000h	≥80	Yes	595*595*78mm
UP-PL6060-38W-E-D	AC230V	38W	≥0.9	3720	120°	5000K	40000h	≥80	Yes	595*595*78mm
UP-PL6060-38W-E-D	AC230V	38W	≥0.9	3680	120°	5700K	40000h	≥80	Yes	595*595*78mm

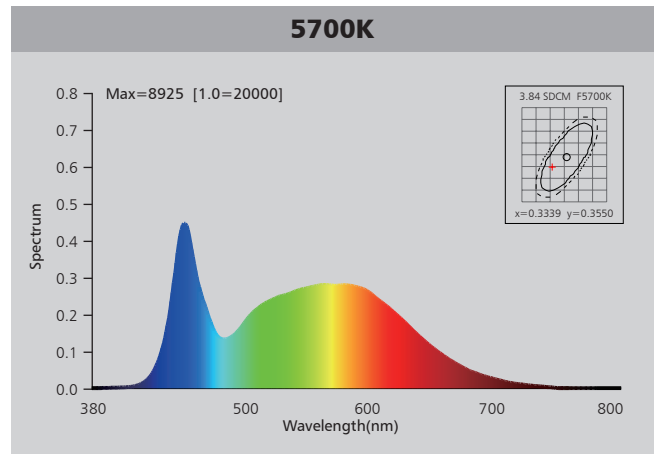
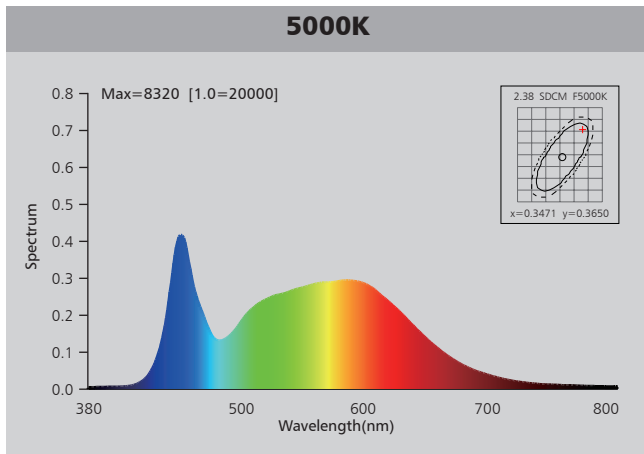
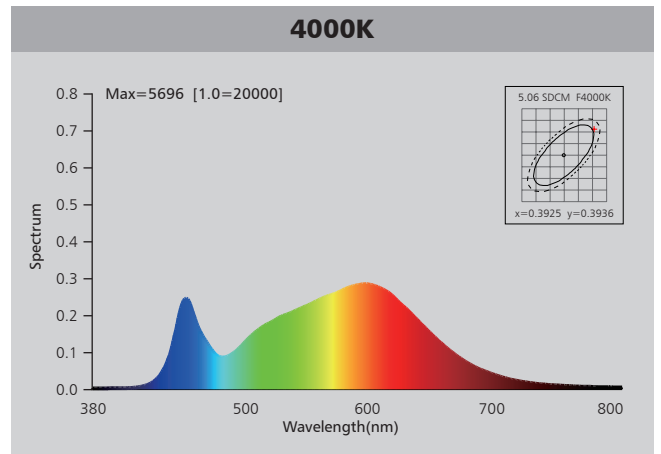
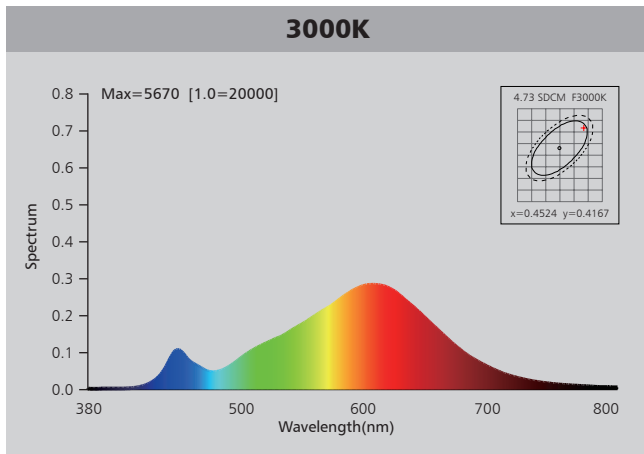
## Driver data Sheet

Driver data	DIM	Non-dim
Input rated Voltage	AC230V	AC230V
Frequency	50Hz	50Hz
Input Voltage	AC200-240V	AC200-240V
Efficiency	≥85%	≥88%
Total load Wattage	38W±5%	38W±5%
Power Factor	≥0.9	≥0.9
Rated input current	≤0.22A	≤0.22A
Full load output Voltage	DC35-38V	DC35-38V
Rated output current	880mA	900mA
Output current range	880mA±5%	900mA±5%
Power tolerance	±5%	±5%
Current output tolerance	±5%	±5%
Dimming range	8%-100%	—
Dimmer	Triac dimmers	—
Short circuit protection	PASS	PASS
Over voltage protection	PASS	PASS
Over temperature protection	PASS	PASS
Withstand voltage	AC3750V	AC3750V

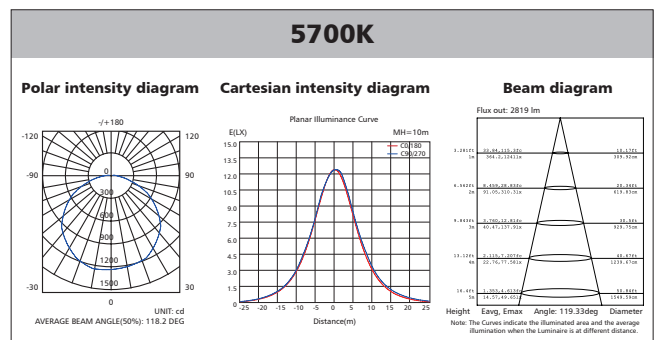
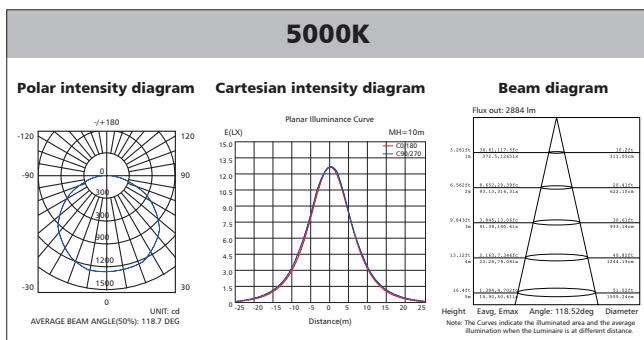
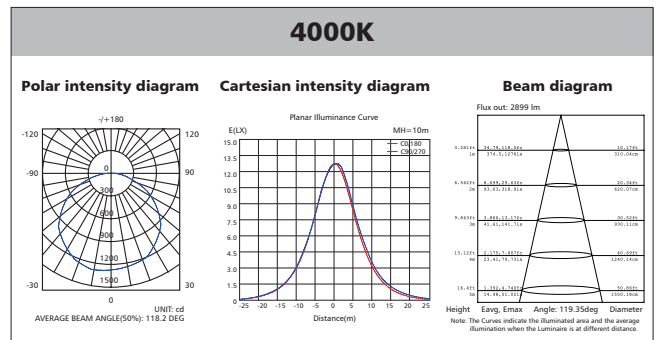
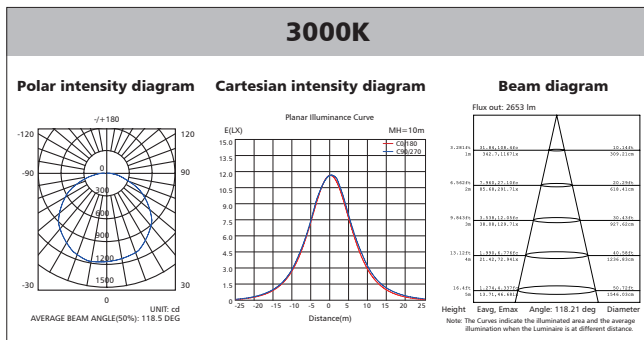
## Fixture Compatibility

Rated Wattage	Electrical Classification	Ingress Protection	Operating Temp	Operating Humidity	Storage Temp
38W	II	IP20	-20°C~45°C	0~90%	-20°C~65°C

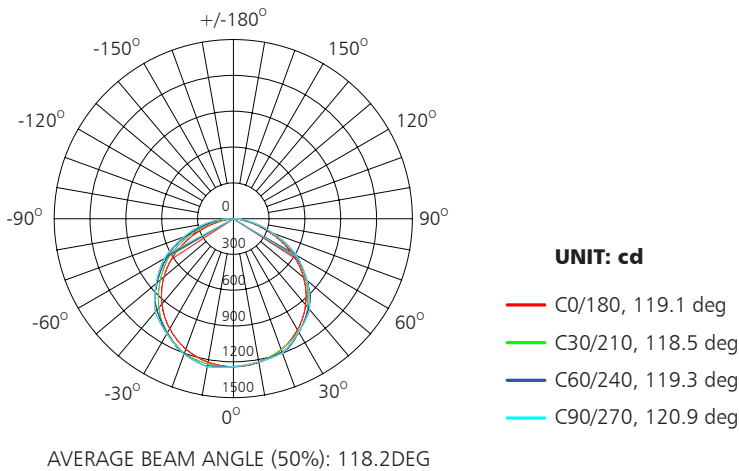
# Spectral Distribution



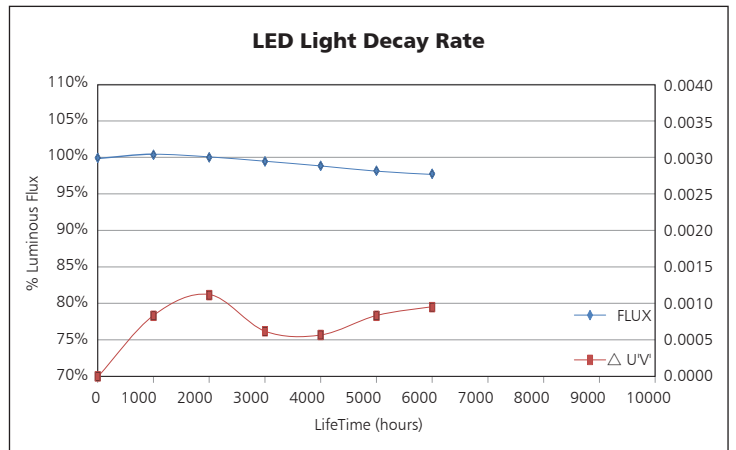
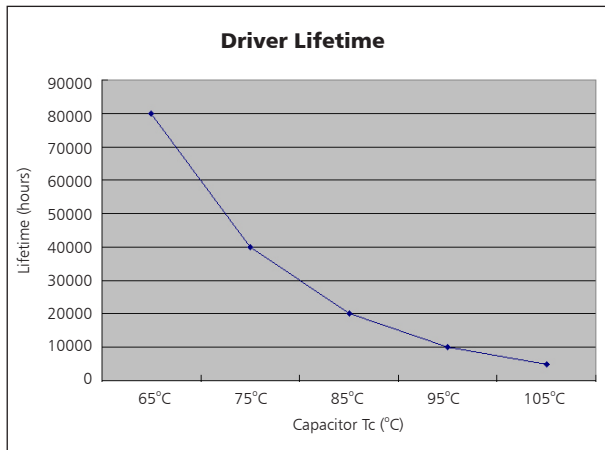
# Photometric Diagram



# Polar Diagram Comparison

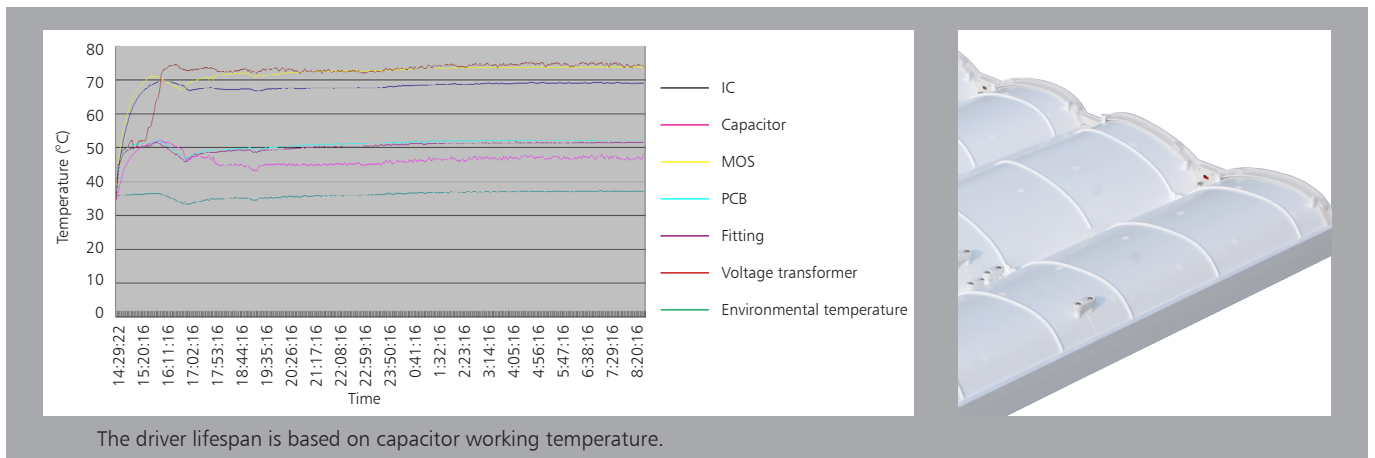


# Driver lifetime & LED light decay rate



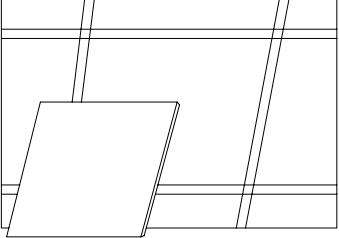
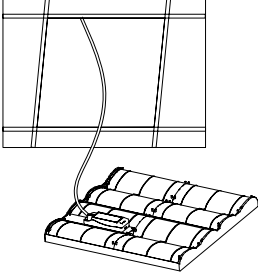
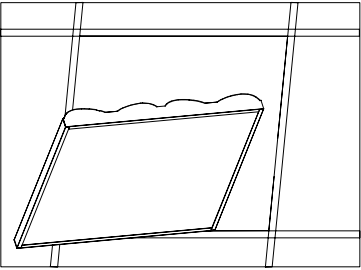
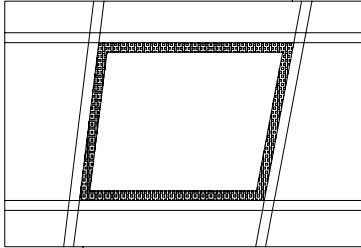
# Temperature

- The testing is operated at 25°C
- The lifetime of capacitor, minimum of 5,000 hours if operated at 105°C, will be doubled whenever the temperature drops 10°C
- The highest withstand temperature of IC, MOS could be 120°C
- The highest withstand temperature of LED junction temperature is 150°C

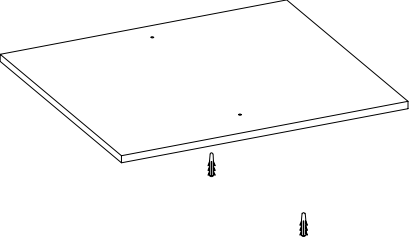
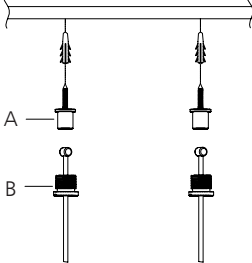
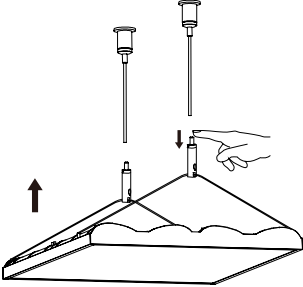
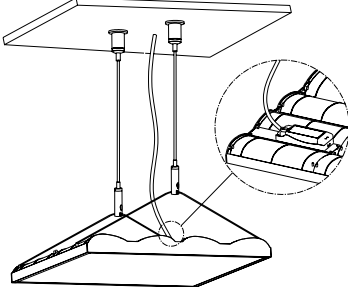


# Installation

## 1. Recessed into ceiling

 <p>1. Remove ceiling plaster slab</p>	 <p>2. Connect power supply</p>
 <p>3. Fix the panel light into right place</p>	 <p>4. Stabilize the panel</p>

## 2. Suspending

 <p>1. Knock the plastic anchor into concrete ceiling.</p>	 <p>2. Fix part A with tapping screw to ceiling, Wirerope goes through part B, and then screw B into A.</p>
 <p>3. Lock the wirerope into two locking devices, the one on the ceiling and another at the back of panel light.</p>	 <p>4. Adjust the length of hanging wire, make sure the panel is level with the ground. Connect power supply and restore power. Check for correct operation.</p>

## Packaging Information

	SIZE(CM)	N.W/pc (KGS)	G.W.(KGS)	Q'TY(PC)
Carton	65*42.5*65	3.6	15.5	4

	CTNS	Q'TY(PC)	VOLUME(CBM)
20" standard container	155	620	28
40" standard container	310	1240	56

