



Up-shine<sup>®</sup> Lighting



# Technical Application Guide for UP-SHINE LED Grille Downlight

UP-RD03-36W

# Introduction



Up-shine rectangular LED grille downlight is unique designed with COB high power LED chip.

High efficient reflector with COB LED provides high lumen output and wide beam angle. Single head, double head and triple head provided for wide choice. Adjustable lighting direction offers various lighting orientation.

- Up to 70% energy saving compared to standard CFL
- Long lifetime of 40,000 hours
- 24° wide beam angle
- L338\*W116mm cutout
- CCT: 2700K 3000K  
4000K 5000K
- Adjustable and rotary
- No UV/IR light
- Environment friendly, without Mercury or any other hazardous substances

## Application notes

- IP20 for indoor use only
- Professional electrician for installation only
- Switch off before installation
- Do not touch when in use
- Keep away from hot steam and corrosive gas

## Application Areas

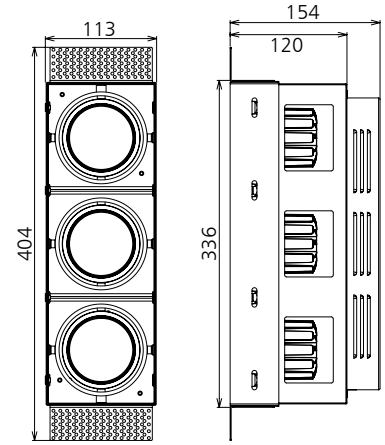
It is designed for general lighting applications in office, supermarket, shop, school, hotel, etc. It is also widely used for public areas, such as stairway, lobby, reception, corridors etc.

## Certificate

CE RoHS



# Product Information



## Technical Specifications

Model	Voltage	Power	Power Factor	Lumen (±5%)	Beam angle	CCT	Lifespan	CRI	Dimension
UP-RD03-36W	AC230V	36W	≥0.9	2200	24°	2700K	40000h	≥80	L404*W113*H154mm cutout L338*W116mm
UP-RD03-36W	AC230V	36W	≥0.9	2500	24°	3000K	40000h	≥80	L404*W113*H154mm cutout L338*W116mm
UP-RD03-36W	AC230V	36W	≥0.9	2700	24°	4000K	40000h	≥80	L404*W113*H154mm cutout L338*W116mm
UP-RD03-36W	AC230V	36W	≥0.9	2660	24°	5000K	40000h	≥80	L404*W113*H154mm cutout L338*W116mm

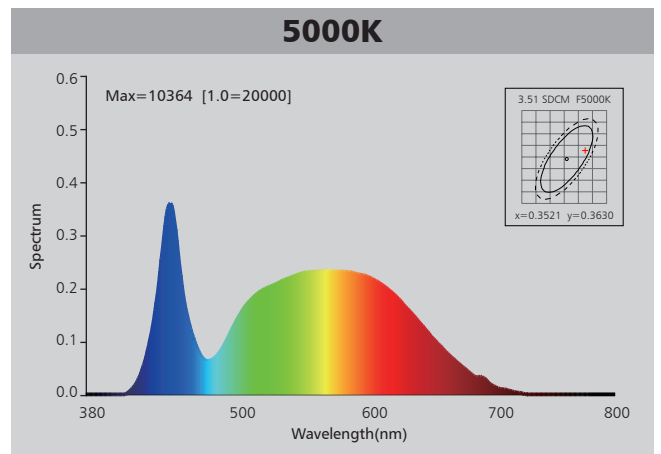
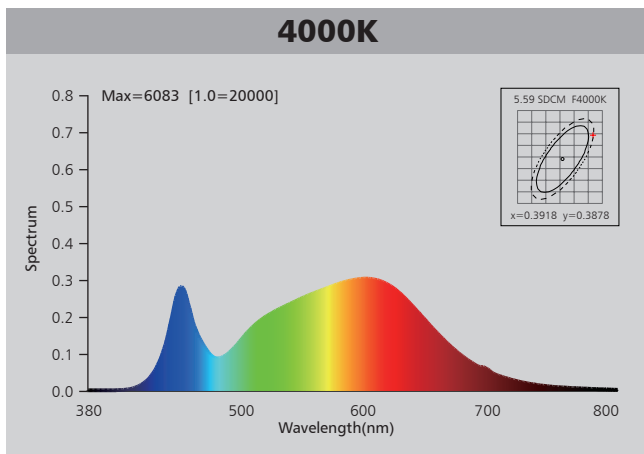
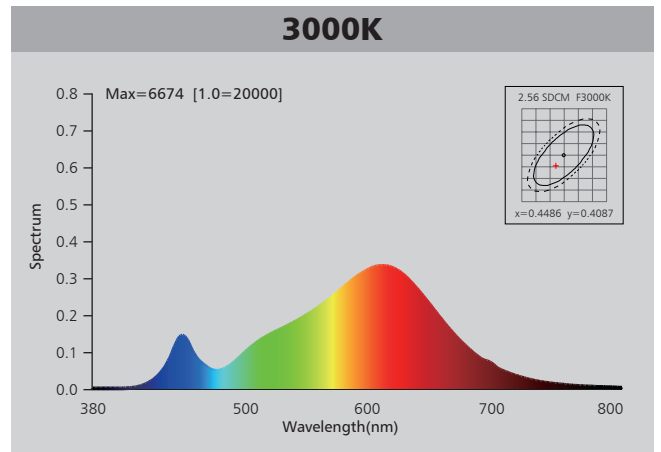
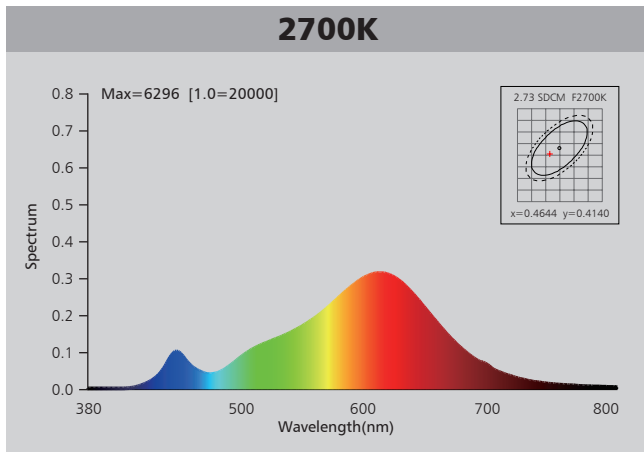
## Driver data Sheet

Driver data	Non dim
Input rated Voltage	AC230V
Frequency	50Hz
Input Voltage	AC200-240V
Efficiency	≥86%
Total load Wattage	36W±5%
Power Factor	≥0.9
Rated input current	≤0.2A
Full load output Voltage	DC27-40V
Rated output current	850mA
Output current range	850mA±5%
Power tolerance	±5%
Current output tolerance	±5%
Dimming range	—
Dimmer	—
Short circuit protection	PASS
Over voltage protection	PASS
Over temperature protection	PASS
THD	≤20%
Withstand voltage	AC1500V

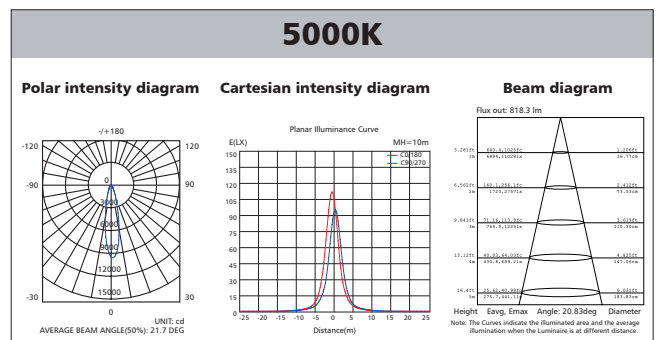
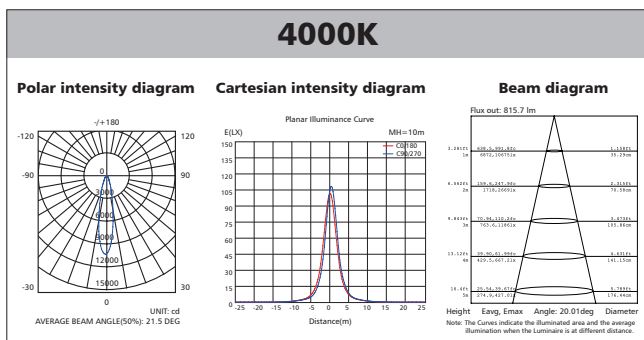
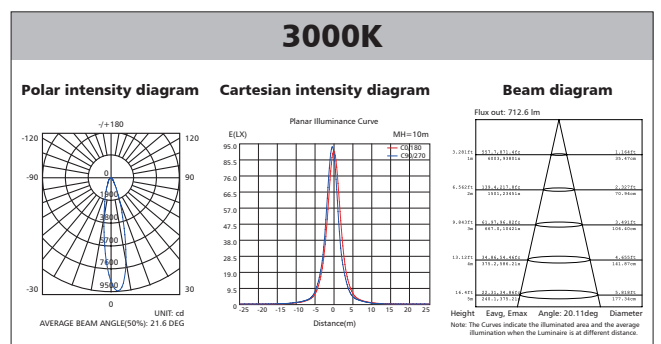
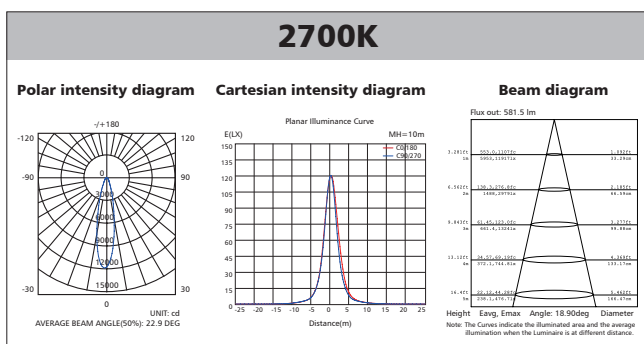
## Fixture Compatibility

Rated Wattage	Electrical Classification	Ingress Protection	Operating Temp	Operating Humidity	Storage Temp
36W	I	IP20	-20°C~45°C	0~90%	-20°C~65°C

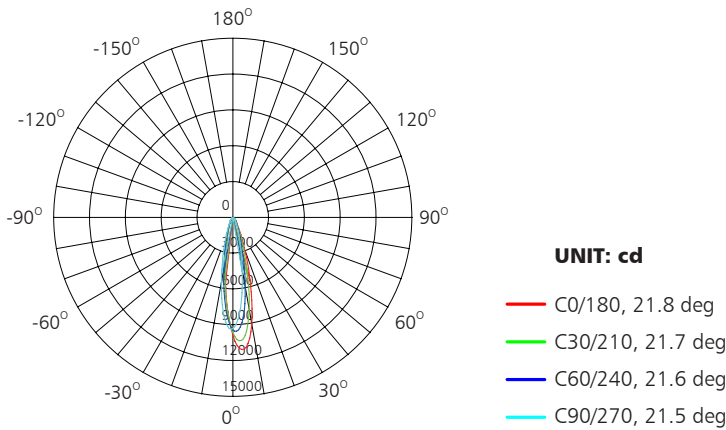
# Spectral Distribution



# Photometric Diagram



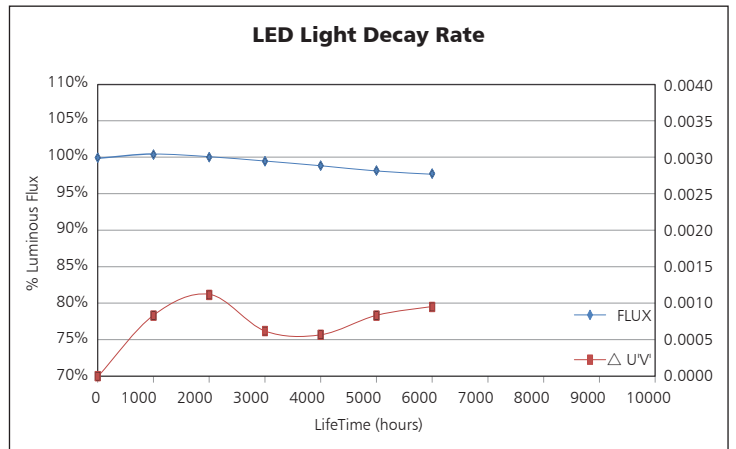
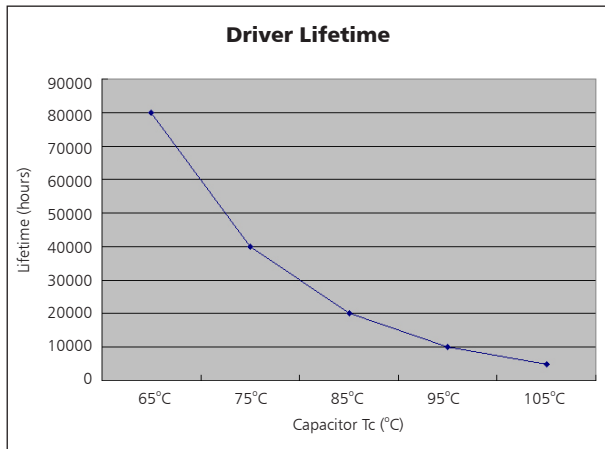
# Polar Diagram Comparison



AVERAGE BEAM ANGLE (50%): 21.7DEG

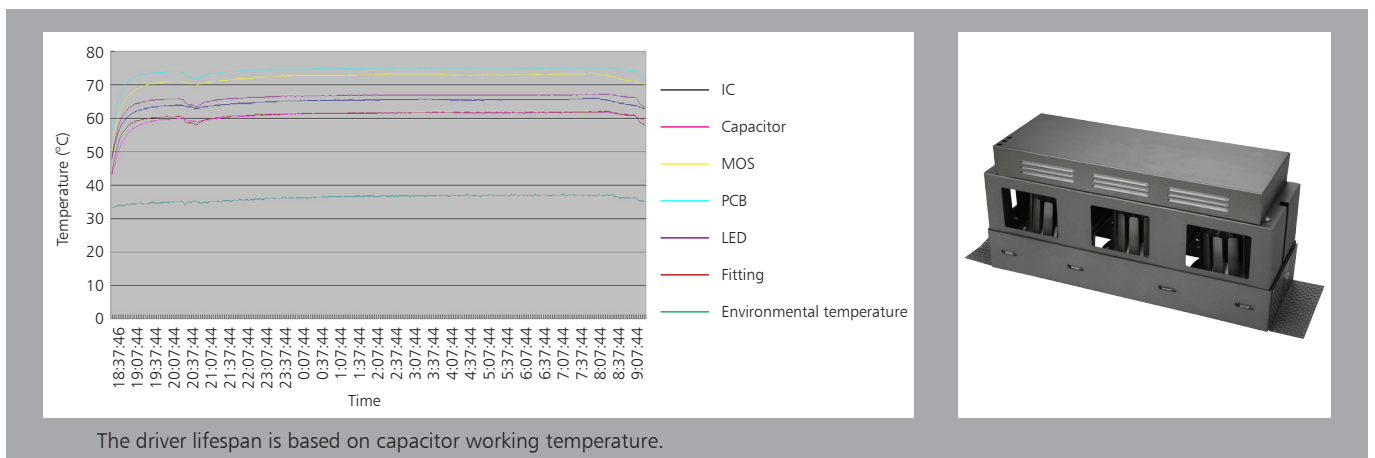


# Driver lifetime & LED light decay rate



# Temperature

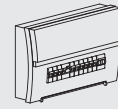
- The testing is operated at 25°C
- The lifetime of capacitor, minimum of 5,000 hours if operated at 105°C, will be doubled whenever the temperature drops 10°C
- The highest withstand temperature of IC, MOS could be 120°C
- The highest withstand temperature of LED junction temperature is 150°C



# Installation

## WARNING

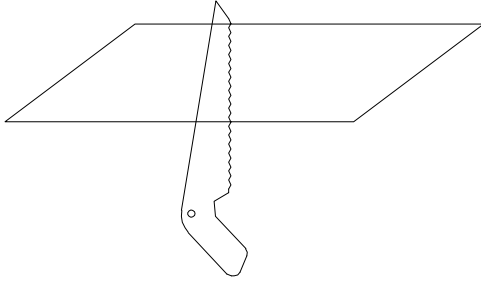
1. Switch off before installation.
2. Switch on only after complete installation and examination of the circuit.
3. Professional electrician for installation and maintenance only.



### Step 1

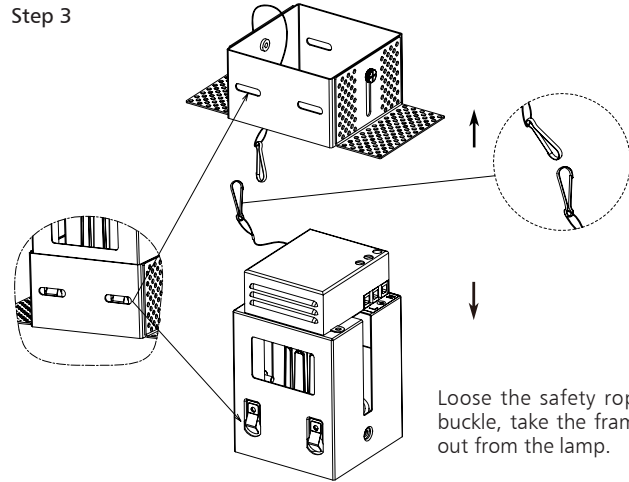
Turn Off power supply before starting any installation. Read instructions & check you have all the tools & accessories to complete the installation correctly.

### Step 2



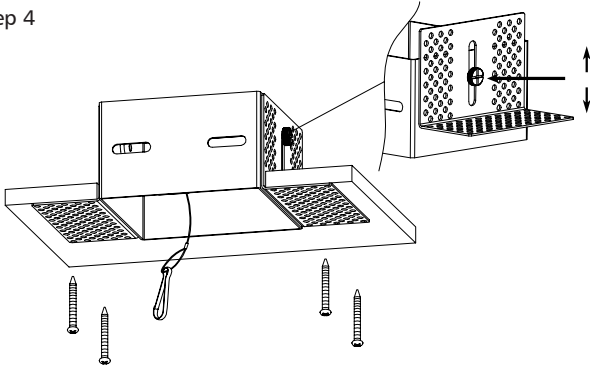
Open a hole on the ceiling according to cutout size of the lamp.

### Step 3



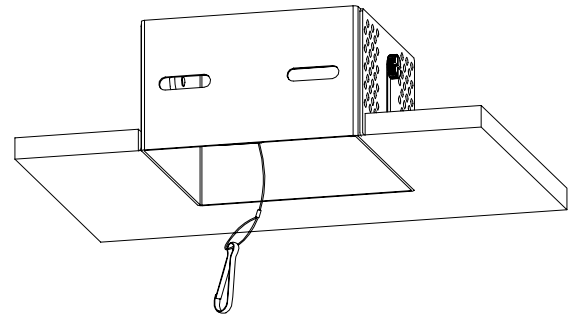
Loose the safety rope buckle, take the frame out from the lamp.

### Step 4



Screwed the frame on the ceiling, the height could be adjust through side screws.  
Fix the frame on the ceiling by screw, adjust the frame height location by screw on the side.

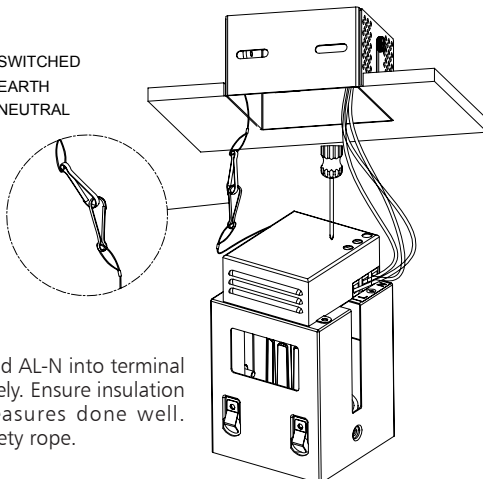
### Step 5



Decorate the ceiling by lime putty after fixing the frame.

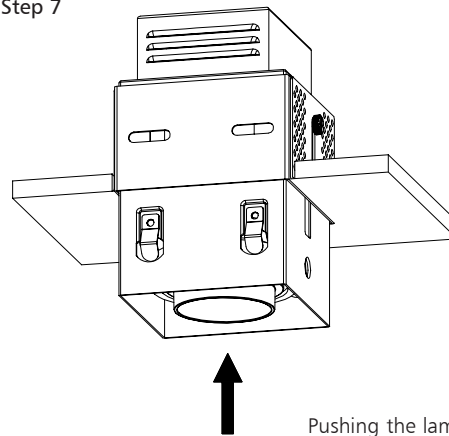
### Step 6

- L = SWITCHED
- E = EARTH
- N = NEUTRAL



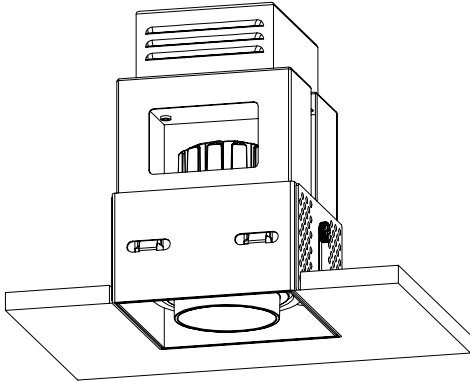
Locking AC-L and AL-N into terminal blocks respectively. Ensure insulation protection measures done well. Connect the safety rope.

### Step 7



Pushing the lamps upward until it is fixed on the frame.

Step 8



Install complete (figure 8), switch on.

## Packaging Information

	SIZE(CM)	N.W/pc (KGS)	G.W.(KGS)	Q'TY(PCs)		CTNS	Q'TY(PCs)	VOLUME(CBM)
Carton	46*45*39.5	3.1	20.5	6	20" standard container	338	2028	28
					40" standard container	676	4056	56

