



Up-shine® Lighting



# Technical Application Guide for UP-SHINE LED Downlight

UP-DL97-6-18W-P3



# Introduction



Slide switch for color selection



Up-shine SMD LED Down light adopts high lumen SMD LED, PC diffuser with even light output. White, silver, chrome surface treatment are available for customer's preference.

Triac dimmable, 0-10V dimmable and DALI dimmable version share great popularity by excellent dimming effect.

- Up to 70% energy saving compared to standard CFL
- Long lifetime of 50,000 hours
- Dimmable when using triac dimmer
- 90° wide beam angle
- Ø160-170mm cutout
- CCT: 3000K-4000K-5700K
- No UV/IR light
- Environment friendly, without Mercury or any other hazardous substances

## Application notes

- IP54 for indoor use
- Professional electrician for installation only
- Switch off before installation
- Do not touch when in use
- Keep away from hot steam and corrosive gas

## Application Areas

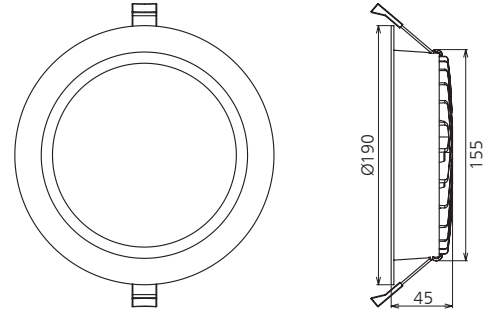
It is designed for general lighting applications in office, supermarket, shop, school, hotel, etc. It is also widely used for public areas, such as stairway, lobby, reception, corridors etc.

## Certificate

CE RoHS



# Product Information



## Technical Specifications

Model	Voltage	Power	Power Factor	Lumen (±5%)	Beam angle	CCT	Lifespan	CRI	Dimmable	Dimension
UP-DL97-6-18W-C3	AC230V	18W	≥0.9	1460	90°	3000K	50000h	≥80	No	Ø190*45mm cutout 160-170mm
UP-DL97-6-18W-C3	AC230V	18W	≥0.9	1850	90°	4000K	50000h	≥80	No	Ø190*45mm cutout 160-170mm
UP-DL97-6-18W-C3	AC230V	18W	≥0.9	1730	90°	5700K	50000h	≥80	No	Ø190*45mm cutout 160-170mm
UP-DL97-6-18W-P3	AC230V	18W	≥0.9	1410	90°	3000K	50000h	≥80	Yes	Ø190*45mm cutout 160-170mm
UP-DL97-6-18W-P3	AC230V	18W	≥0.9	1800	90°	4000K	50000h	≥80	Yes	Ø190*45mm cutout 160-170mm
UP-DL97-6-18W-P3	AC230V	18W	≥0.9	1710	90°	5700K	50000h	≥80	Yes	Ø190*45mm cutout 160-170mm

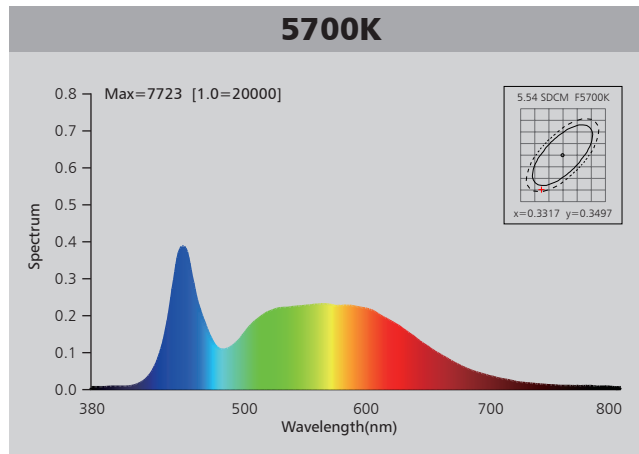
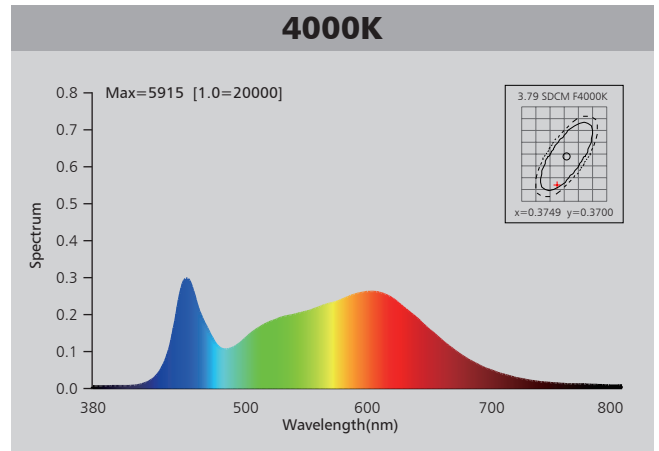
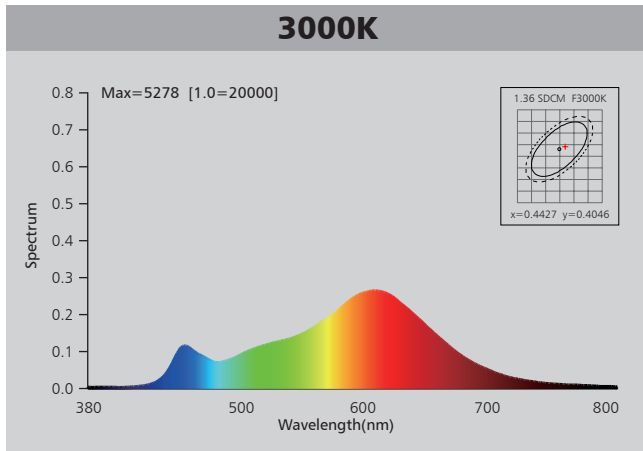
## Driver data Sheet

Driver data	DIM	Non dim
Input rated Voltage	AC230V	AC230V
Frequency	50Hz	50/60Hz
Input Voltage	AC200-240V	AC200-240V
Efficiency	≥83%	≥85%
Total load Wattage	18W±1W	18W±1W
Power Factor	≥0.9	≥0.9
Rated input current	≤0.1A	≤0.1A
Full load output Voltage	DC23-40V	DC24-40V
Rated output current	430mA	420mA
Output current range	430mA±5%	420mA±5%
Power tolerance	±5%	±5%
Current output tolerance	±5%	±5%
Dimming range	8%-100%	—
Dimmer	Triac dimmers	—
Short circuit protection	PASS	PASS
Over voltage protection	PASS	PASS
Over temperature protection	PASS	PASS
THD	≤18%	≤18%
Withstand voltage	AC3750V	AC3750V

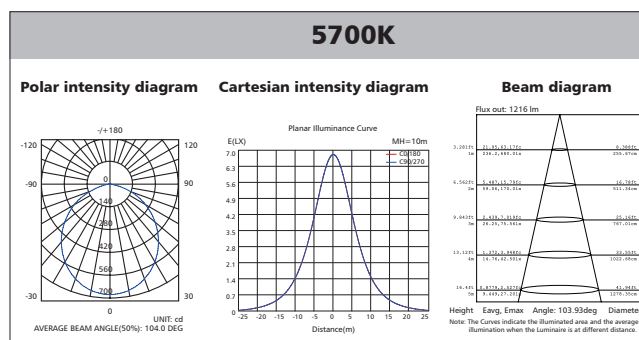
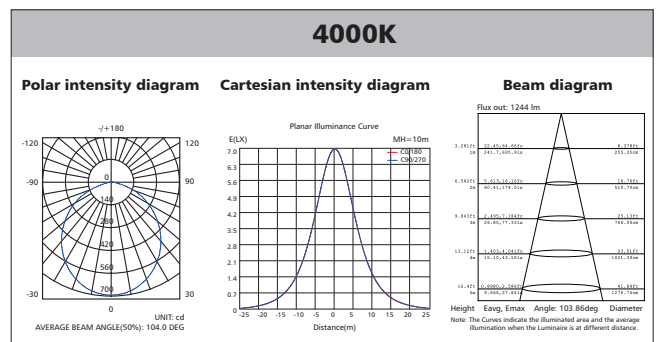
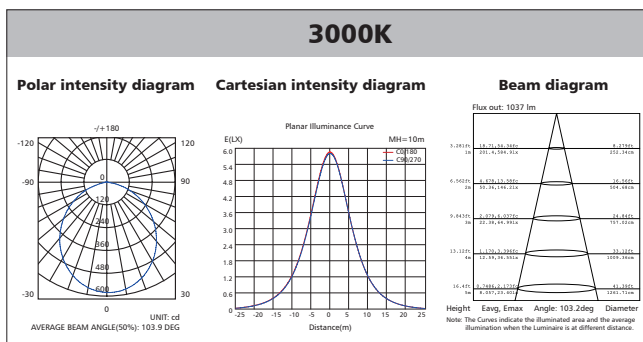
## Fixture Compatibility

Rated Wattage	Electrical Classification	Ingress Protection	Operating Temp	Operating Humidity	Storage Temp
18W	II	IP54	-20°C~45°C	0~90%	-20°C~65°C

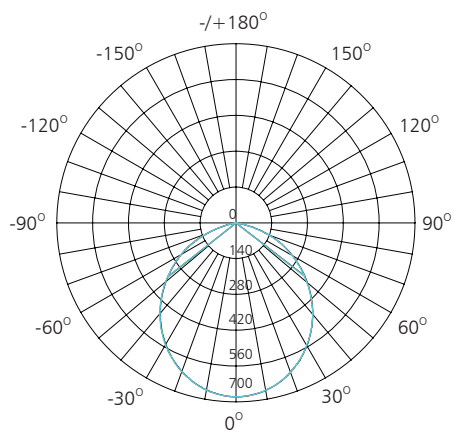
# Spectral Distribution



# Photometric Diagram



## Polar Diagram Comparison



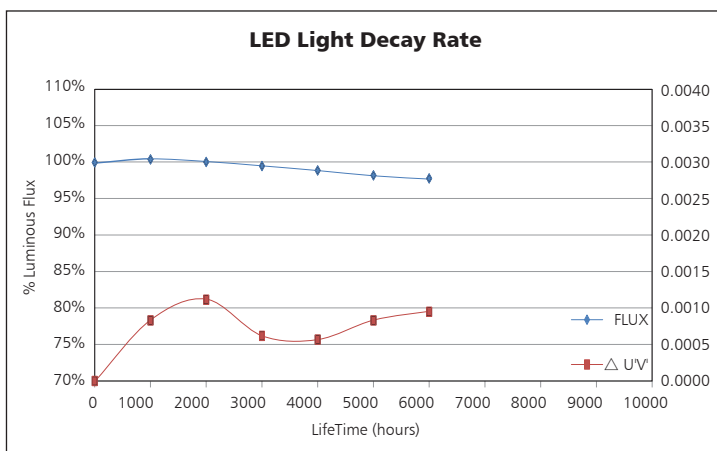
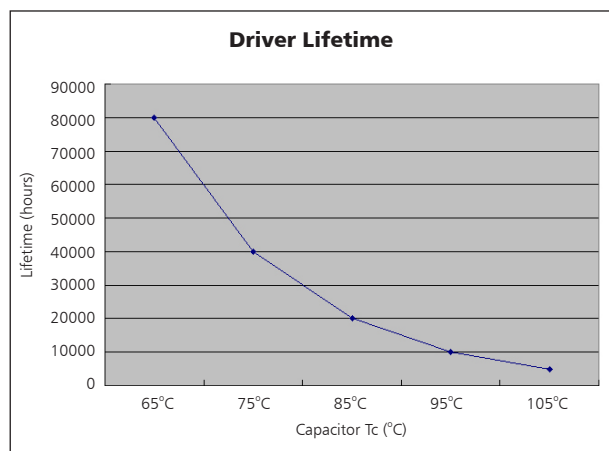
UNIT: cd

- C0/180, 103.9 deg
- C30/210, 104.0 deg
- C60/240, 104.0 deg
- C90/270, 104.0 deg



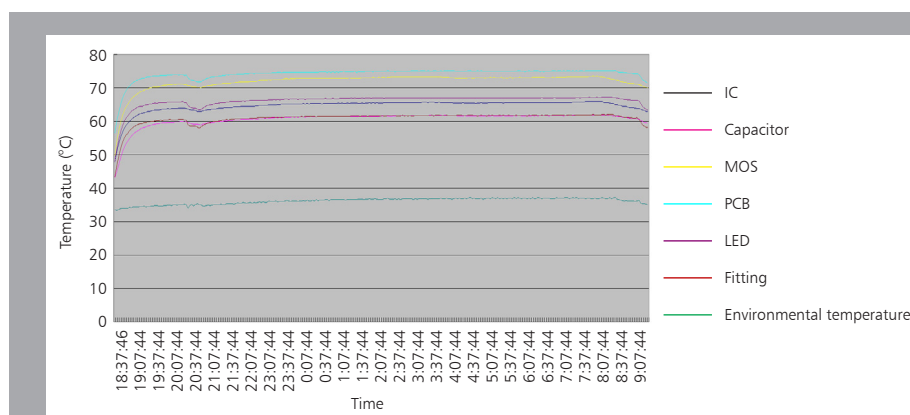
AVERAGE BEAM ANGLE (50%): 104.0DEG

## Driver lifetime & LED light decay rate



## Temperature

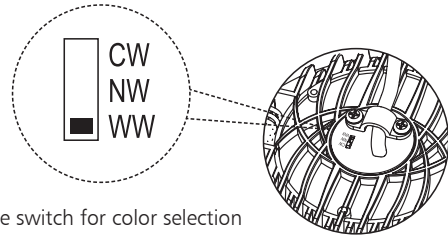
- The testing is operated at 25°C
- The lifetime of capacitor, minimum of 5,000 hours if operated at 105°C, will be doubled whenever the temperature drops 10°C
- The highest withstand temperature of IC, MOS could be 120°C
- The highest withstand temperature of LED junction temperature is 150°C



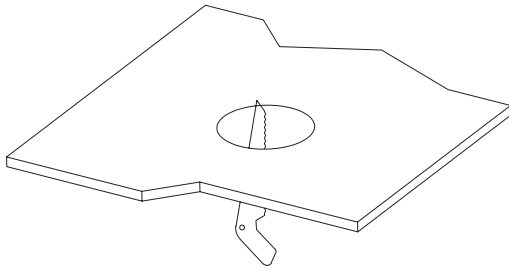
The driver lifespan is based on capacitor working temperature.

# Installation

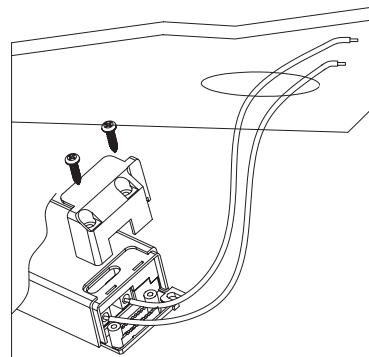
For the product with Slide Switch of Color Selection, please select the light color (CW/NW/WW) before installation.



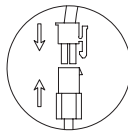
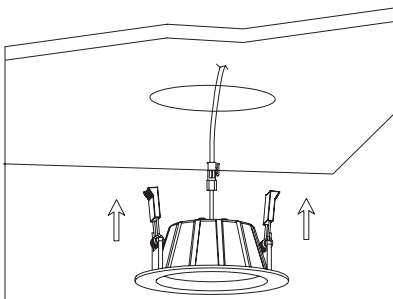
Slide switch for color selection



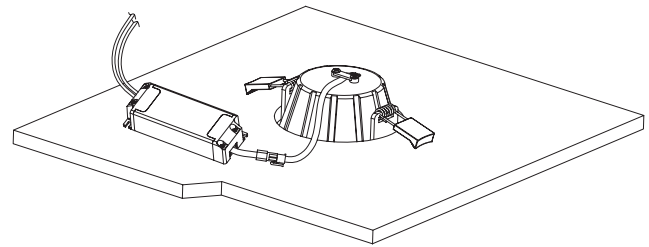
1. Open a hole according to the cutout size of led downlight.



2. Use screw-driver to open the driver terminal cover, feed the main AC wire L. N. in terminal block respectively, then fix the cover back.



3. Connect the downlight with driver, hold back the spring clip then push the downlight into the hole.



4. Make sure the downlight fixed tightly in ceiling, turn on the power (Fig 1).

# Packaging Information

	SIZE(CM)	N.W/pc (KGS)	G.W.(KGS)	Q'TY(PCs)
Carton	46*44*40	0.64	18.5	20

	CTNS	Q'TY(PCs)	VOLUME(CBM)
20" standard container	340	6800	28
40" standard container	682	13640	56

