



Up-shine<sup>®</sup> Lighting



Technical Application  
Guide for UP-SHINE  
LED Downlight

UP-DL102-2.5-6W-D

# Introduction



LED downlight which comply with IC-4 certification requirements. Integrated driver structure is more convenient for installation. The front cover and heat sink is a whole entity which can improve heat dissipation performance. The front of lamp with slight curve surface design is not only with softer appearance but also a better sense of touch compared with similar products. IP54 waterproof from front side, it can be widely applied to damp applications.

- Up to 70% energy saving compared to standard CFL
- Long lifetime of 40,000 hours
- Dimmable with triac dimmer
- 90° wide beam angle
- 70-75mm cutout
- CCT: 3000K 4000K  
5000K 5700K
- No UV/IR light
- Environment friendly, without Mercury or any other hazardous substances

## Application notes

- IP54 for indoor use only
- Professional electrician for installation only
- Switch off before installation
- Do not touch when in use
- Keep away from hot steam and corrosive gas

## Application Areas

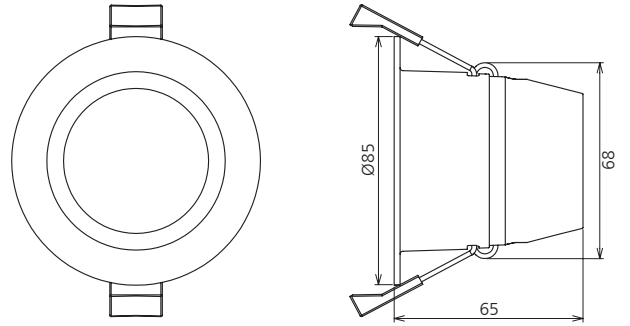
It is designed for general lighting applications in office, supermarket, shop, school, hotel, etc. It is also widely used for public areas, such as stairway, lobby, reception, corridors etc.

## Certificate

**CE RoHS**



# Product Information



## Technical Specifications

Model	Voltage	Power	Power Factor	Lumen (±5%)	Beam angle	CCT	Lifespan	CRI	Dimmable	Dimension
UP-DL102-2.5-6W-D	AC230V	6W	≥0.9	450	90°	3000K	40000h	≥80	Yes	Ø85*65mm cutout 70-75mm
UP-DL102-2.5-6W-D	AC230V	6W	≥0.9	460	90°	4000K	40000h	≥80	Yes	Ø85*65mm cutout 70-75mm
UP-DL102-2.5-6W-D	AC230V	6W	≥0.9	465	90°	5000K	40000h	≥80	Yes	Ø85*65mm cutout 70-75mm
UP-DL102-2.5-6W-D	AC230V	6W	≥0.9	480	90°	5700K	40000h	≥80	Yes	Ø85*65mm cutout 70-75mm

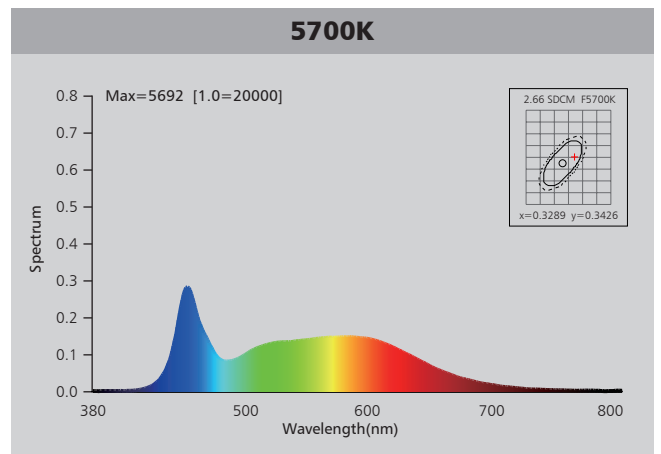
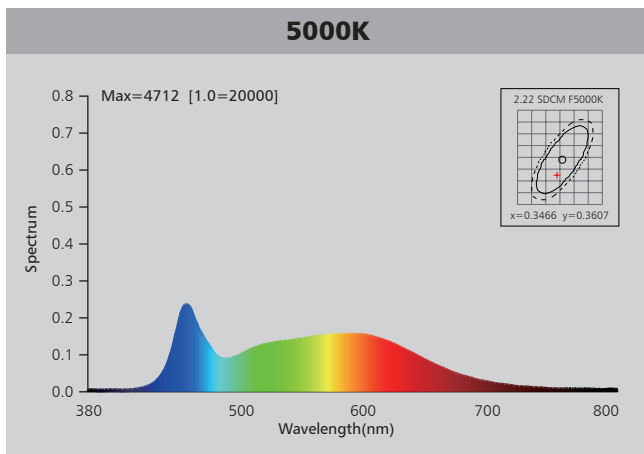
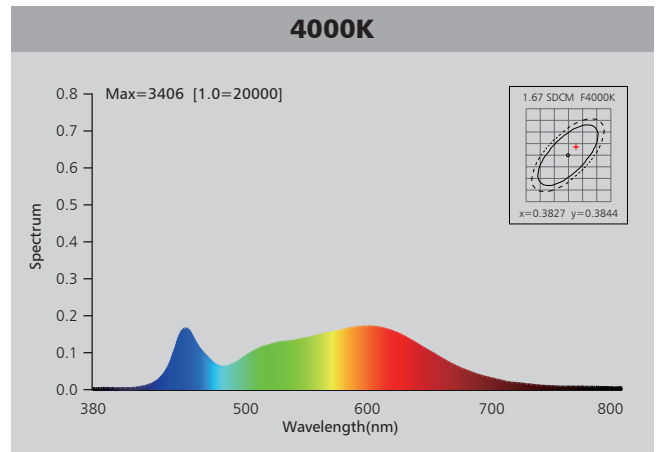
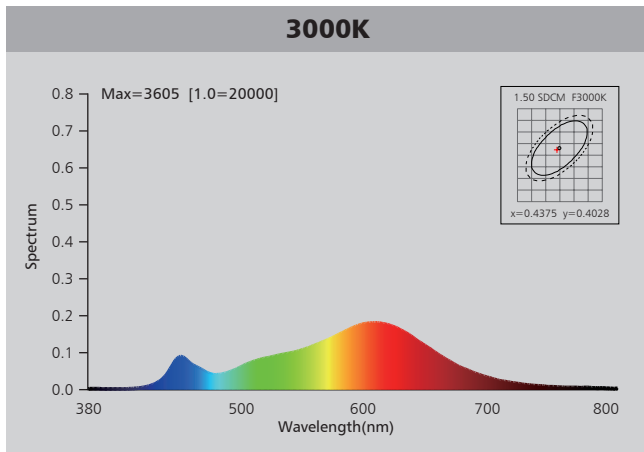
## Driver data Sheet

Driver data	DIM
Input rated Voltage	AC230V
Frequency	50Hz
Input Voltage	AC200-240V
Efficiency	≥82%
Total load Wattage	6W±0.5W
Power Factor	≥0.9
Rated input current	≤0.04A
Full load output Voltage	DC50-65V
Rated output current	100mA
Output current range	100mA±5%
Power tolerance	±5%
Current output tolerance	±5%
Dimming range	8%-100%
Dimmer	Triac dimmers
Short circuit protection	PASS
Over voltage protection	PASS
Over temperature protection	PASS
Withstand voltage	—

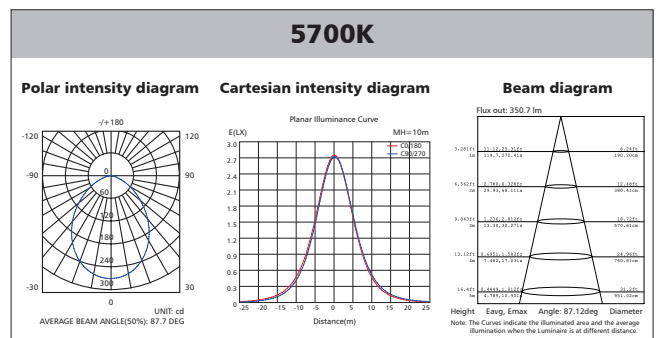
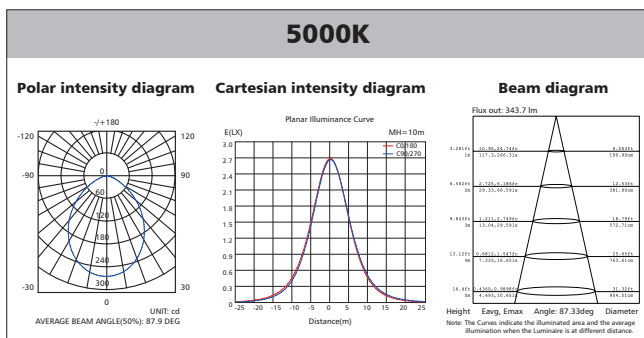
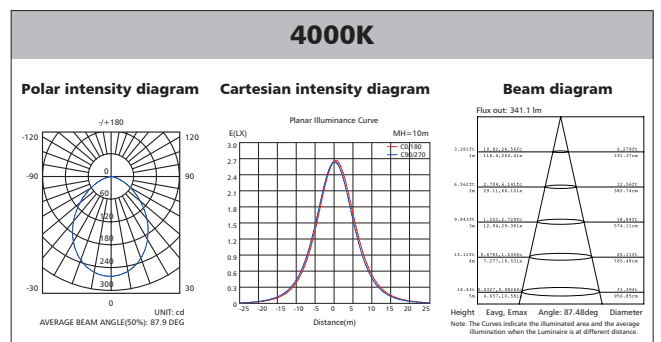
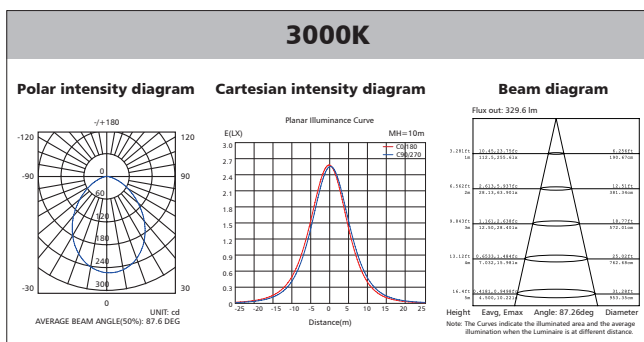
## Fixture Compatibility

Rated Wattage	Electrical Classification	Ingress Protection	Operating Temp	Operating Humidity	Storage Temp
6W	II	IP54	-20°C~45°C	0~90%	-20°C~65°C

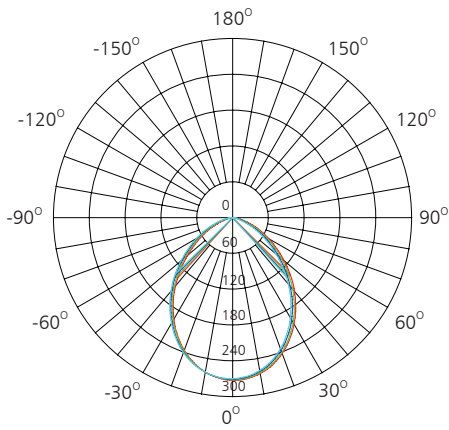
# Spectral Distribution



# Photometric Diagram



# Polar Diagram Comparison



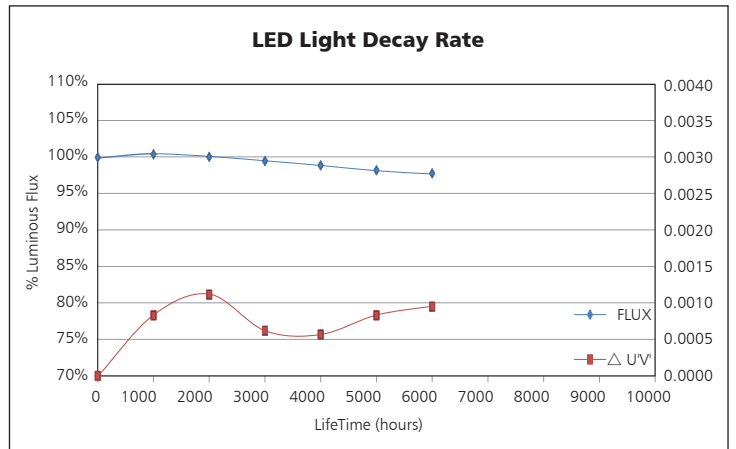
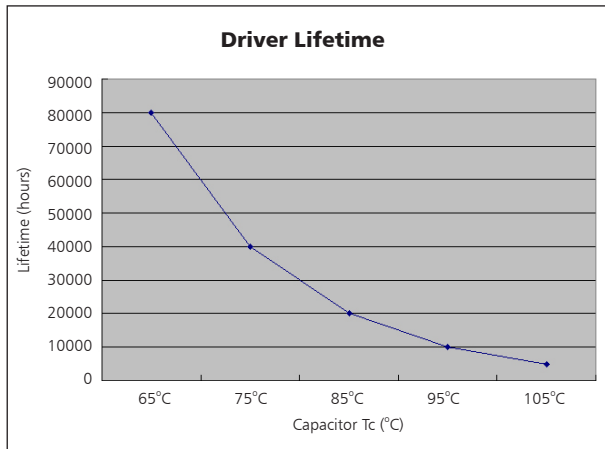
UNIT: cd

- C0/180, 87.8 deg
- C30/210, 87.8 deg
- C60/240, 87.7 deg
- C90/270, 87.6 deg

AVERAGE BEAM ANGLE (50%): 87.7DEG

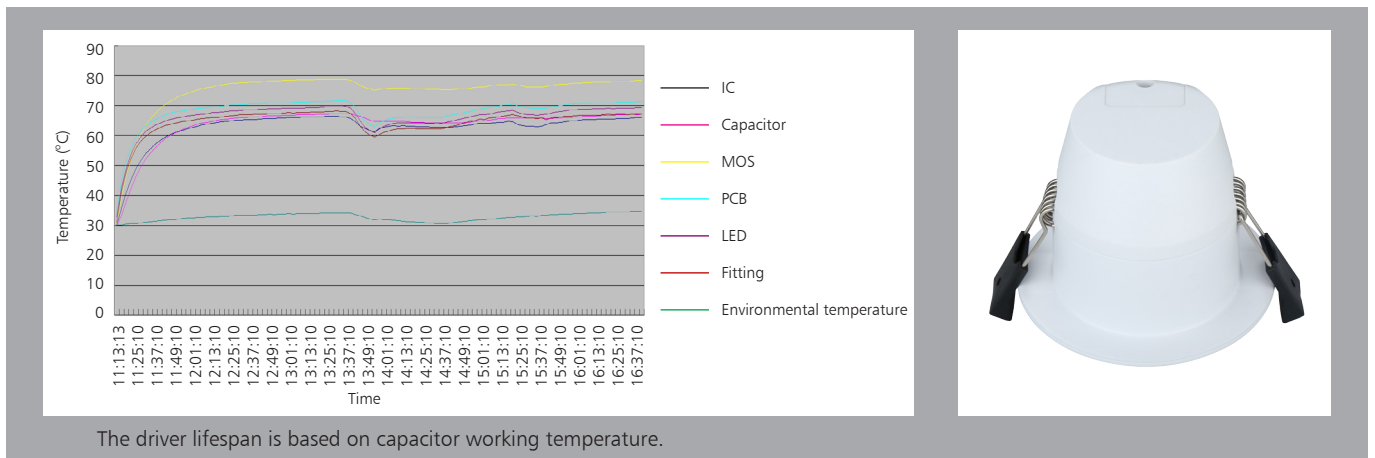


# Driver lifetime & LED light decay rate



# Temperature

- The testing is operated at 25°C
- The lifetime of capacitor, minimum of 5,000 hours if operated at 105°C, will be doubled whenever the temperature drops 10°C
- The highest withstand temperature of IC, MOS could be 120°C
- The highest withstand temperature of LED junction temperature is 150°C

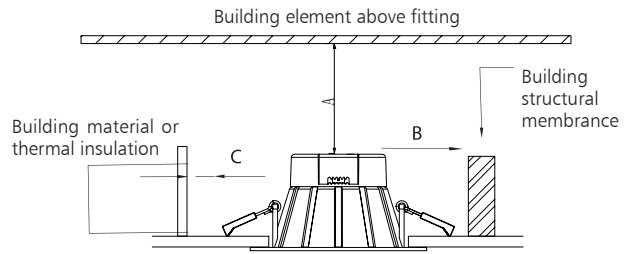


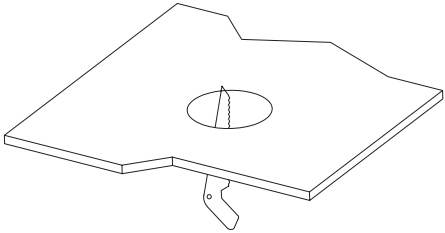
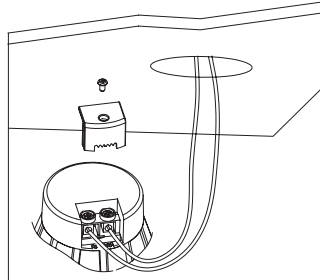
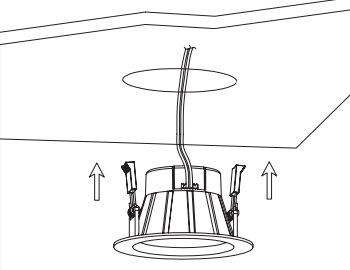
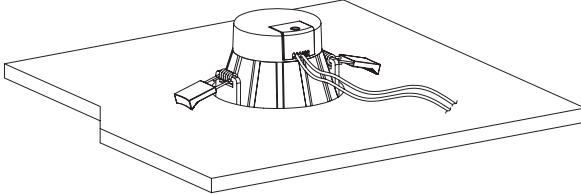
The driver lifespan is based on capacitor working temperature.

# Installation

Install requirements	
A-gap above the fitting	25mm
B-gap to the building material	25mm
C-gap to the thermal insulation	25mm

Fig 1: Installation Spacing



 <p>1. Open a hole according to the cutout size of led downlight.</p>	 <p>2. Use screw-driver to open the driver terminal cover on the back of downlight, feed the main AC wire L, N, in terminal block respectively, then fix the cover back.</p>
 <p>3. Hold back the spring clip then push the downlight into the hole.</p>	 <p>4. Make sure the downlight fixed tightly in ceiling, turn on the power (Fig 1).</p>

# Packaging Information

	SIZE(CM)	N.W/pc (KGS)	G.W.(KGS)	Q'TY(PCS)
Carton	57.5*57.5*20	0.15	11	50

	CTNS	Q'TY(PCS)	VOLUME(CBM)
20" standard container	416	20800	28
40" standard container	832	41600	56

