



UPSHINE®



Technical Application
Guide for UP SHINE
LED Downlight
UP-CL78-2.5-5W

Introduction



Up-shine Mini downlight is specially designed for European market with standard cutout size of 70mm. 24°/36°/60° beam angle provided, applicable for various lighting effect. Smart optical design with combination of COB LED and PC reflector creates the most comfortable lighting environment. Waterproof structural design, IP54 protection grade, ideally for damp locations. 25 degree flexible rotary head makes installation easier and better.

- Up to 70% energy saving compared to standard CFL
- Long lifetime of 40,000 hours
- Triac dim
- 24°/36°/60° wide beam angle
- 68-74mm cutout
- CCT: 2700K 3000K
4000K 5000K
- No UV/IR light
- Environment friendly, without Mercury or any other hazardous substances

Application notes

- IP54 for indoor use only
- Professional electrician for installation only
- Switch off before installation
- Do not touch when in use
- Keep away from hot steam and corrosive gas

Application Areas

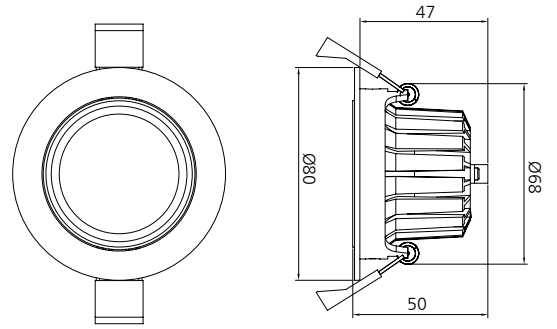
It is designed for general lighting applications in office, supermarket, shop, school, hotel, etc. It is also widely used for public areas, such as stairway, lobby, reception, corridors etc.

Certificate

CE **RoHS** **SAA**



Product Information



Technical Specifications

Model	Voltage	Power	Power Factor	Lumen (±5%)	Beam angle	CCT	Lifespan	CRI	Dimmable	Dimension
UP-CL78-2.5-5W	230V	5W	≥0.9	420	24°/36°/60°	2700K	40000h	≥80	No	Ø80*50mm cutout 68-74mm
UP-CL78-2.5-5W	230V	5W	≥0.9	430	24°/36°/60°	3000K	40000h	≥80	No	Ø80*50mm cutout 68-74mm
UP-CL78-2.5-5W	230V	5W	≥0.9	440	24°/36°/60°	4000K	40000h	≥80	No	Ø80*50mm cutout 68-74mm
UP-CL78-2.5-5W	230V	5W	≥0.9	450	24°/36°/60°	5000K	40000h	≥80	No	Ø80*50mm cutout 68-74mm
UP-CL78-2.5-5W-D	230V	5W	≥0.9	400	24°/36°/60°	2700K	40000h	≥80	Yes	Ø80*50mm cutout 68-74mm
UP-CL78-2.5-5W-D	230V	5W	≥0.9	410	24°/36°/60°	3000K	40000h	≥80	Yes	Ø80*50mm cutout 68-74mm
UP-CL78-2.5-5W-D	230V	5W	≥0.9	420	24°/36°/60°	4000K	40000h	≥80	Yes	Ø80*50mm cutout 68-74mm
UP-CL78-2.5-5W-D	230V	5W	≥0.9	430	24°/36°/60°	5000K	40000h	≥80	Yes	Ø80*50mm cutout 68-74mm

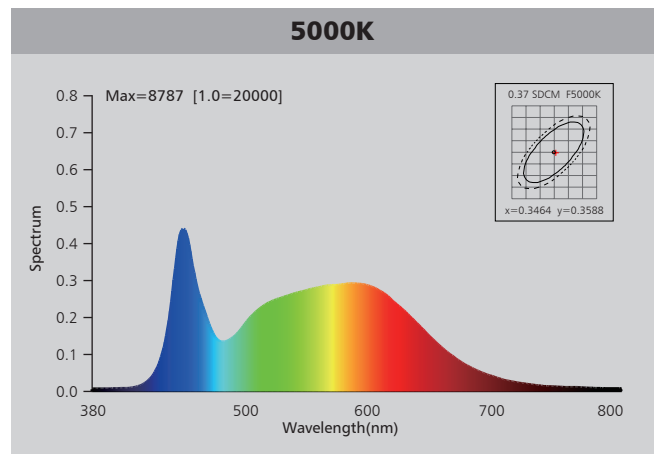
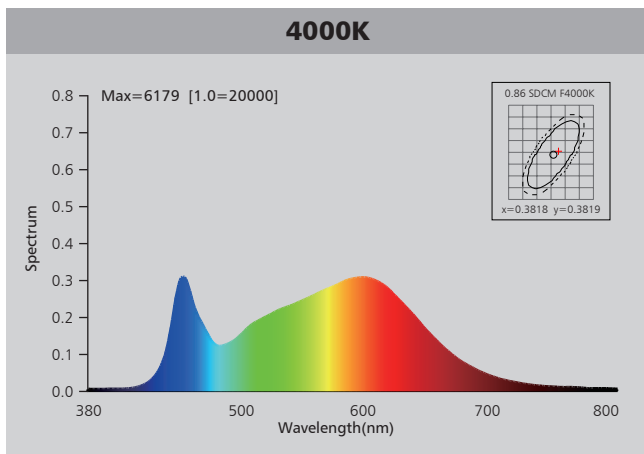
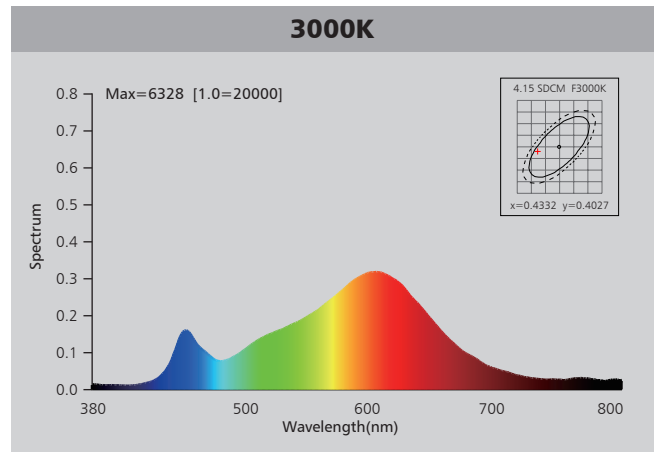
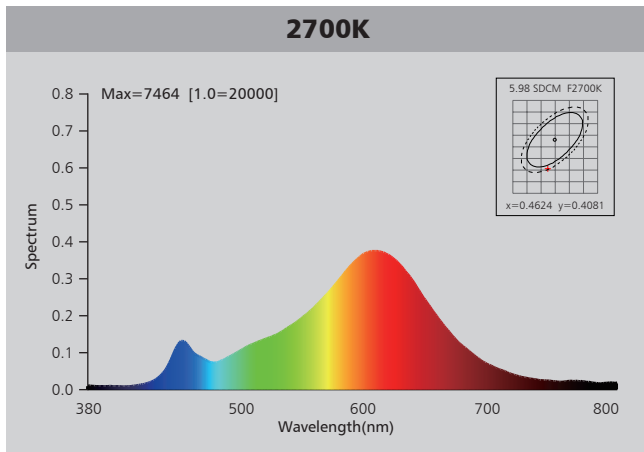
Driver data Sheet

Driver data	DIM	Non dim
Input rated Voltage	AC230V	AC230V
Frequency	50Hz	50Hz
Input Voltage	AC200-240V	AC200-240V
Efficiency	≥78%	≥78%
Total load Wattage	5W±0.5W	5W±0.5W
Power Factor	≥0.9	≥0.9
Rated input current	≤0.03A	≤0.03A
Full load output Voltage	DC33-38V	DC25-41V
Rated output current	130mA	130mA
Output current range	130mA±5%	130mA±5%
Power tolerance	±5%	±5%
Current output tolerance	±5%	±5%
Dimming range	8%-100%	—
Dimmer	Triac dimmers	—
Short circuit protection	PASS	PASS
Over voltage protection	PASS	PASS
Over temperature protection	PASS	PASS
Withstand voltage	AC3750V	AC3750V

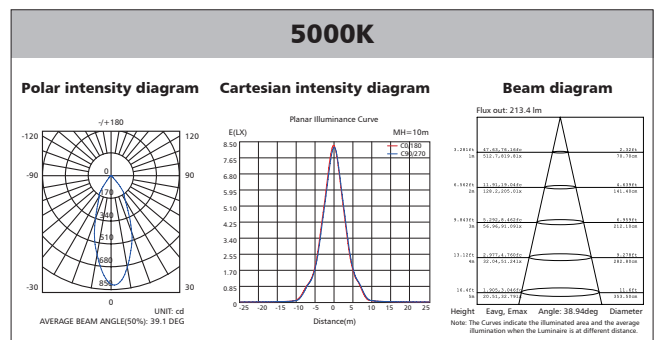
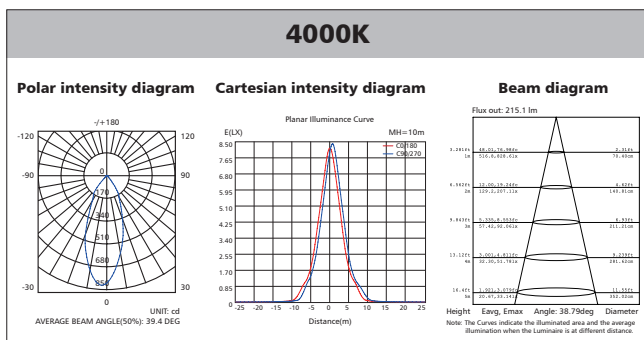
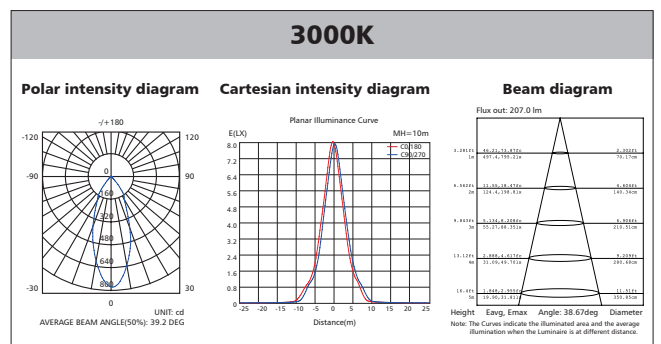
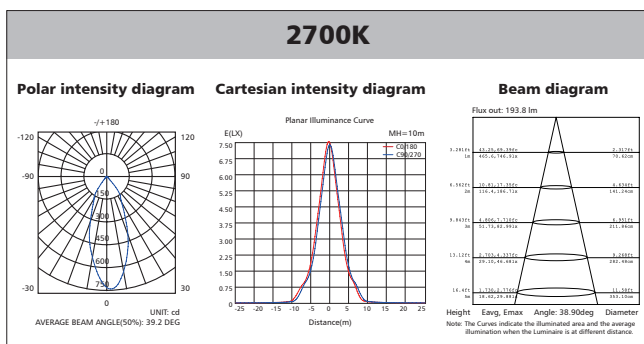
Fixture Compatibility

Rated Wattage	Electrical Classification	Ingress Protection	Operating Temp	Operating Humidity	Storage Temp
5W	II	IP54	-20°C~45°C	0~90%	-20°C~65°C

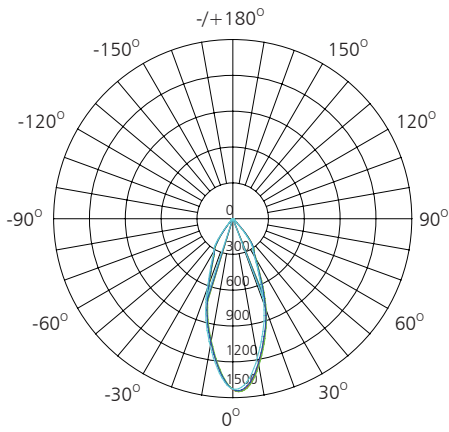
Spectral Distribution



Photometric Diagram



Polar Diagram Comparison



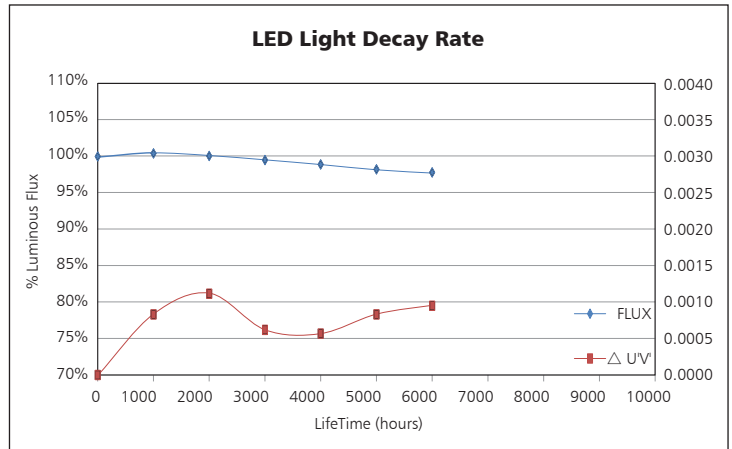
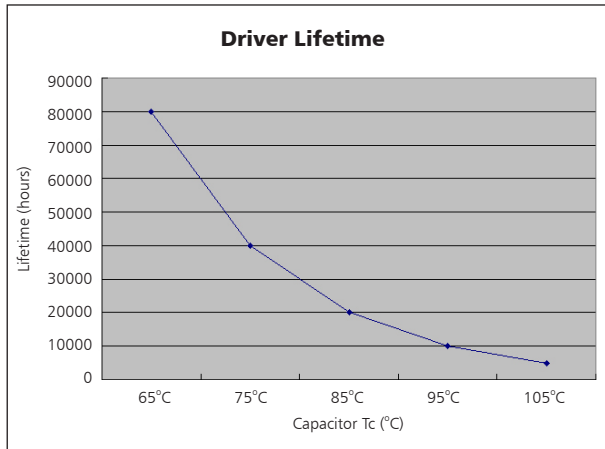
UNIT: cd

- C0/180, 38.9 deg
- C30/210, 38.9 deg
- C60/240, 39.2 deg
- C90/270, 39.3 deg

AVERAGE BEAM ANGLE (50%): 39.1 DEG



Driver lifetime & LED light decay rate



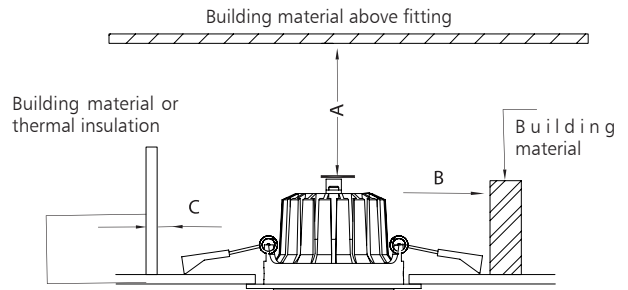
Temperature

- The testing is operated at 25°C
- The lifetime of capacitor, minimum of 5,000 hours if operated at 105°C, will be doubled whenever the temperature drops 10°C
- The highest withstand temperature of IC, MOS could be 120°C
- The highest withstand temperature of LED junction temperature is 150°C

The driver lifespan is based on capacitor working temperature.

Installation

Install requirements	
A-gap above the fitting	25mm
B-gap to the building material	25mm
C-gap to the thermal insulation	25mm



Ceiling Opening

1

Connect Power supply

2

A. Hold back spring clips

3

B. Push downlight into position

4

Finish

5

Packaging Information

	SIZE(CM)	N.W/pc (KGS)	G.W.(KGS)	Q'TY(PCS)
Carton	46*46*29.5	0.27	15	48

	CTNS	Q'TY(PCS)	VOLUME(CBM)
20" standard container	441	21168	28
40" standard container	882	42336	56

