



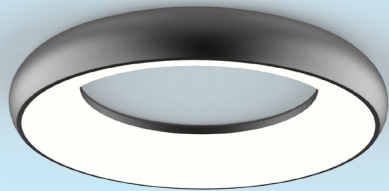
Up-shine<sup>®</sup> Lighting



Technical Application  
Guide for UP-SHINE  
LED Ceiling light

UP-AL24A-16-35W

# Introduction



The hollow shape is full of creativity which brings vitality into ordinary lamp body and shows faultless performance, provides a strong sense of space.

The curved light direction emphasizes target object in a smooth and dramatic atmosphere, revealing an unexpected art inspiration design, which brings a comfortable way of visual experience.

By having an arc luminous surface, we break traditional design. The circular light output offers a magic 3D effect; rotate buckle on the base to make installation easier and faster.

- Up to 70% energy saving compared to standard CFL
- Long lifetime of 40,000 hours
- Triac dim
- 120° wide beam angle
- CCT: 3000K 4000K  
5000K 5700K
- No UV/IR light
- Environment friendly, without Mercury or any other hazardous substances

## Application notes

- IP40 for indoor use only
- Professional electrician for installation only
- Switch off before installation
- Do not touch when in use
- Keep away from hot steam and corrosive gas

## Application Areas

Suitable for leisure location, such as: home, hotel, library, restaurant, cafe shop etc.

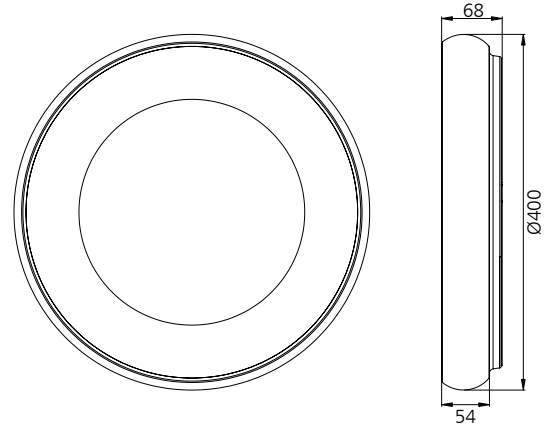
## Certificate



RoHS



# Product Information



## Technical Specifications

Model	Voltage	Power	Power Factor	Lumen (±5%)	Beam angle	CCT	Lifespan	CRI	Dimmable	Dimension
UP-AL24A-16-35W	AC100-240V	35W	≥0.9	2940	120°	3000K	40000h	≥80	No	Ø400*68mm
UP-AL24A-16-35W	AC100-240V	35W	≥0.9	3290	120°	4000K	40000h	≥80	No	Ø400*68mm
UP-AL24A-16-35W	AC100-240V	35W	≥0.9	2940	120°	5000K	40000h	≥80	No	Ø400*68mm
UP-AL24A-16-35W	AC100-240V	35W	≥0.9	3220	120°	5700K	40000h	≥80	No	Ø400*68mm
UP-AL24A-16-35W-D	AC230V	35W	≥0.9	2835	120°	3000K	40000h	≥80	Yes	Ø400*68mm
UP-AL24A-16-35W-D	AC230V	35W	≥0.9	3185	120°	4000K	40000h	≥80	Yes	Ø400*68mm
UP-AL24A-16-35W-D	AC230V	35W	≥0.9	2835	120°	5000K	40000h	≥80	Yes	Ø400*68mm
UP-AL24A-16-35W-D	AC230V	35W	≥0.9	3115	120°	5700K	40000h	≥80	Yes	Ø400*68mm

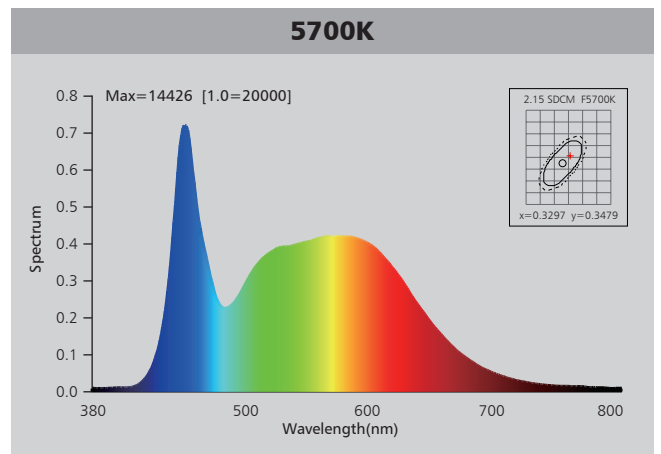
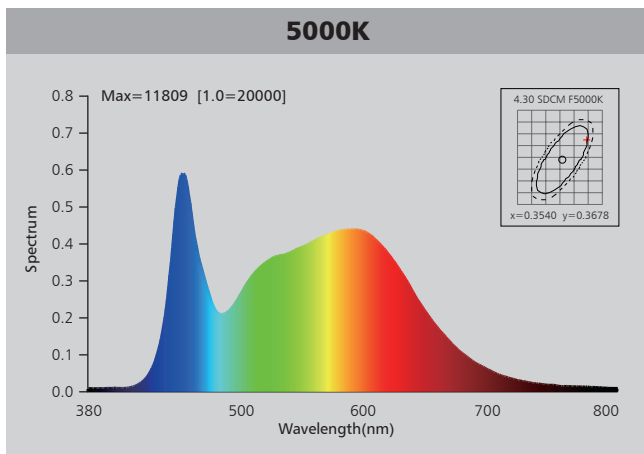
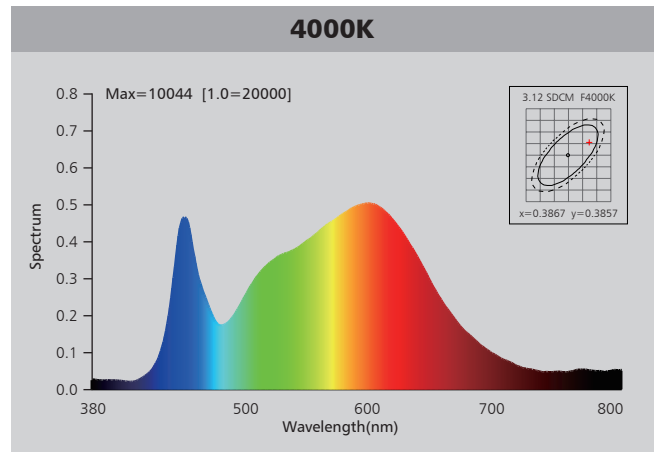
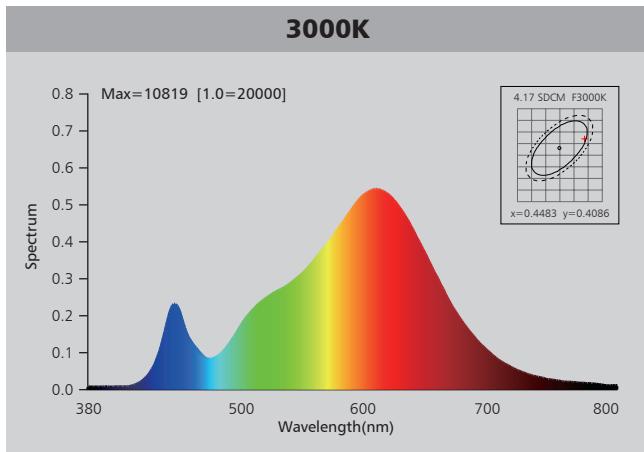
## Driver data Sheet

Driver data	DIM	Non dim
Input rated Voltage	AC230V	AC100-240V
Frequency	50Hz	50/60Hz
Input Voltage	AC200-240V	AC85-265V
Efficiency	≥85%	≥88%
Total load Wattage	35W±5%	35W±5%
Power Factor	≥0.9	≥0.9
Rated input current	≤0.2A	≤0.46A
Full load output Voltage	DC65-75V	DC65-75V
Rated output current	430mA	440mA
Output current range	430mA±5%	440mA±5%
Power tolerance	±5%	±5%
Current output tolerance	±5%	±5%
Dimming range	8%-100%	—
Dimmer	Triac dimmers	—
Short circuit protection	PASS	PASS
Over voltage protection	PASS	PASS
Over temperature protection	PASS	PASS
THD	≤20%	≤20%
Withstand voltage	—	—

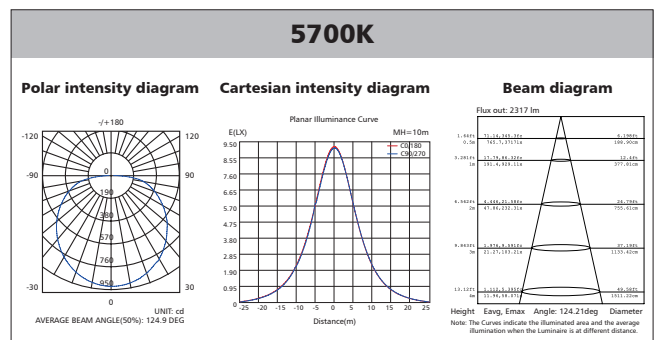
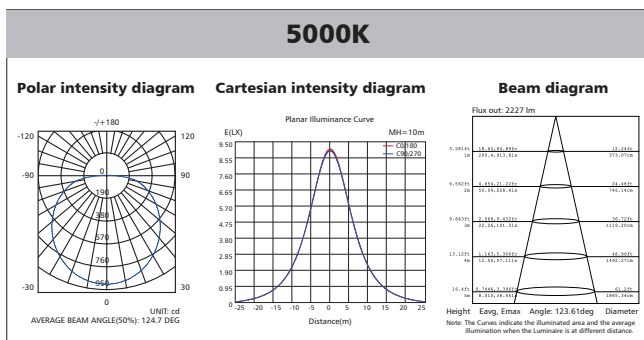
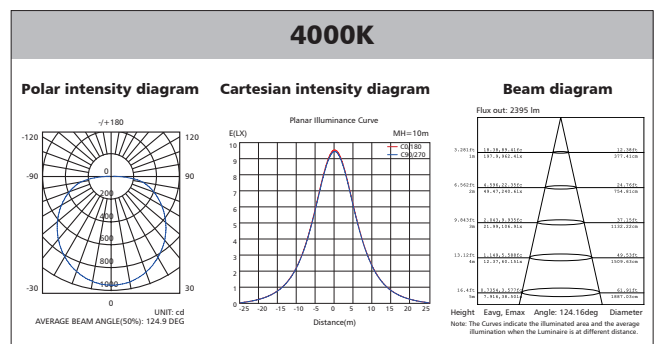
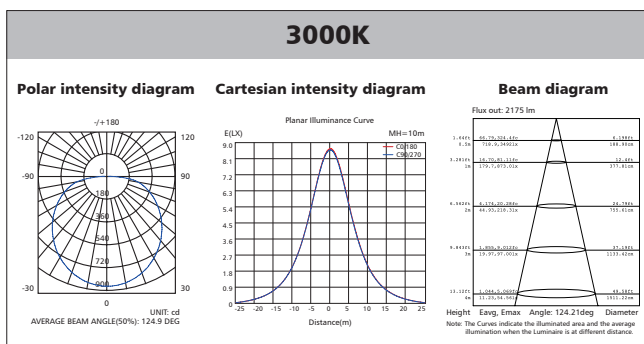
## Fixture Compatibility

Rated Wattage	Electrical Classification	Ingress Protection	Operating Temp	Operating Humidity	Storage Temp
35W	I	IP40	-20°C~45°C	0~90%	-20°C~65°C

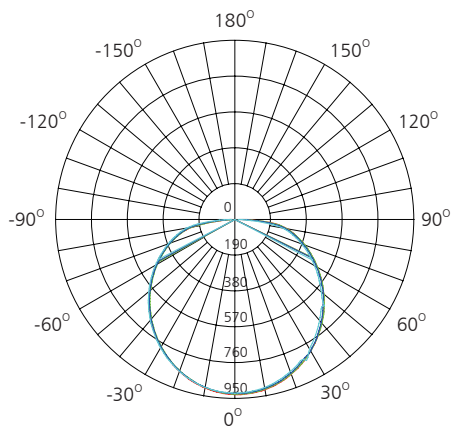
# Spectral Distribution



# Photometric Diagram



## Polar Diagram Comparison



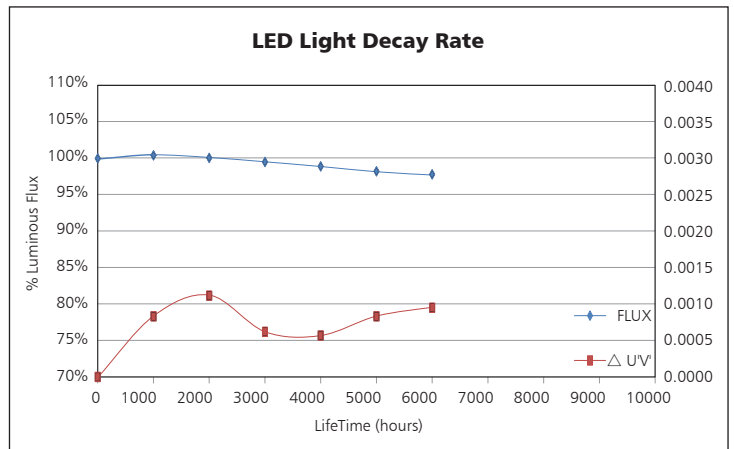
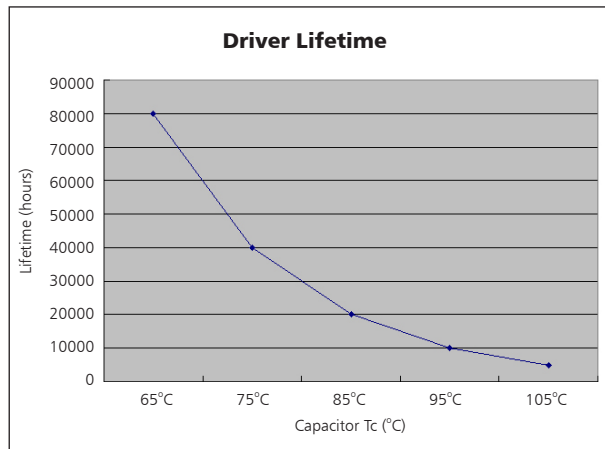
UNIT: cd

- C0/180, 124.9 deg
- C30/210, 124.8 deg
- C60/240, 124.9 deg
- C90/270, 124.8 deg

AVERAGE BEAM ANGLE (50%): 124.9DEG

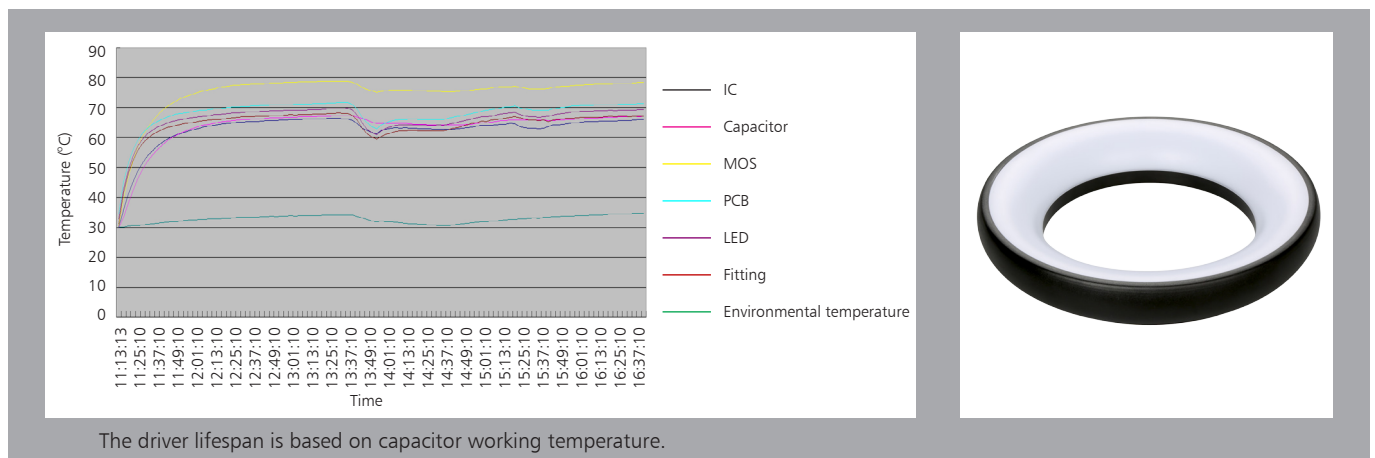


## Driver lifetime & LED light decay rate



## Temperature

- The testing is operated at 25°C
- The lifetime of capacitor, minimum of 5,000 hours if operated at 105°C, will be doubled whenever the temperature drops 10°C
- The highest withstand temperature of IC, MOS could be 120°C
- The highest withstand temperature of LED junction temperature is 150°C



The driver lifespan is based on capacitor working temperature.



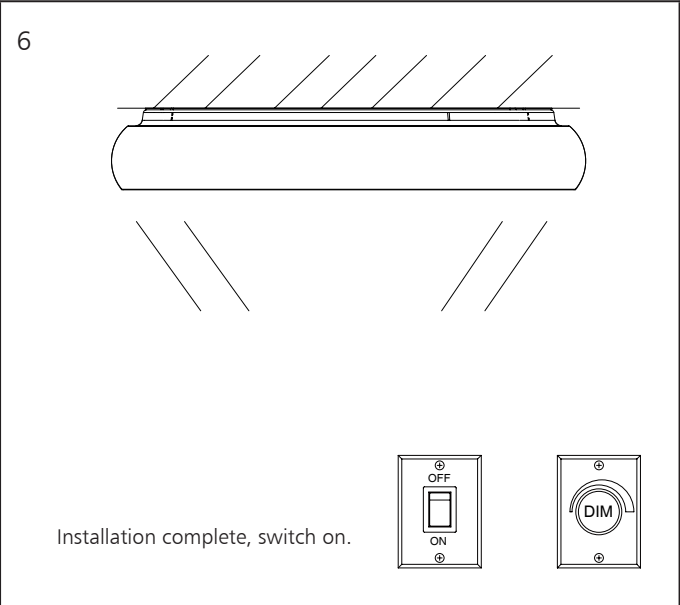
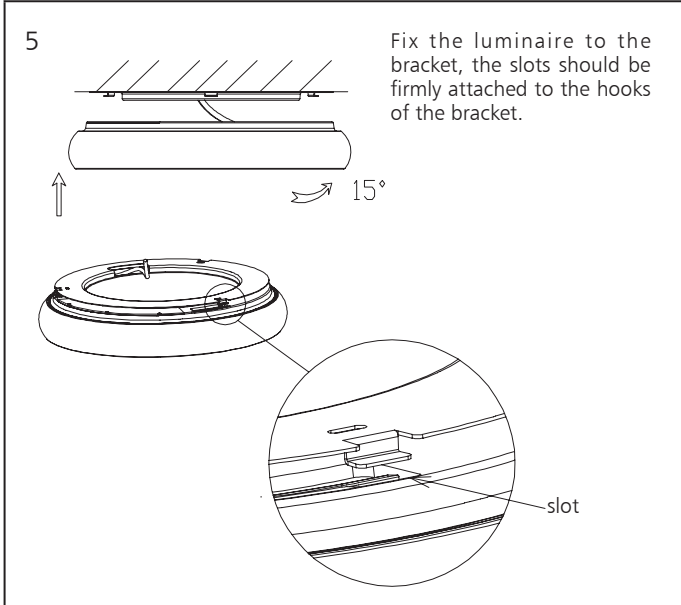
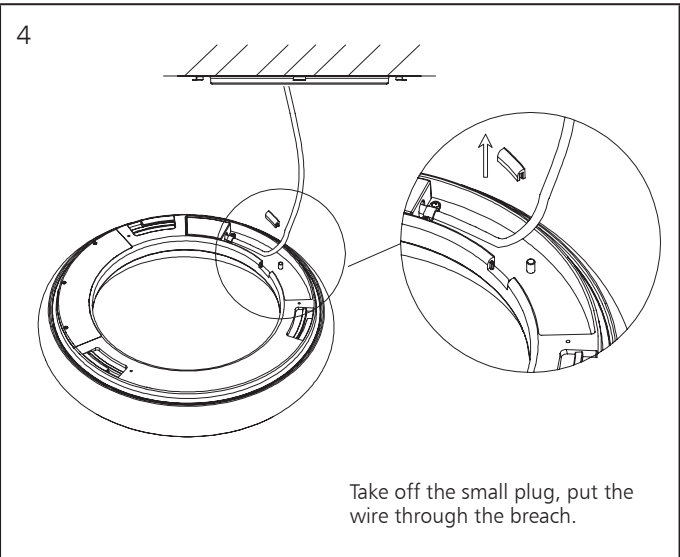
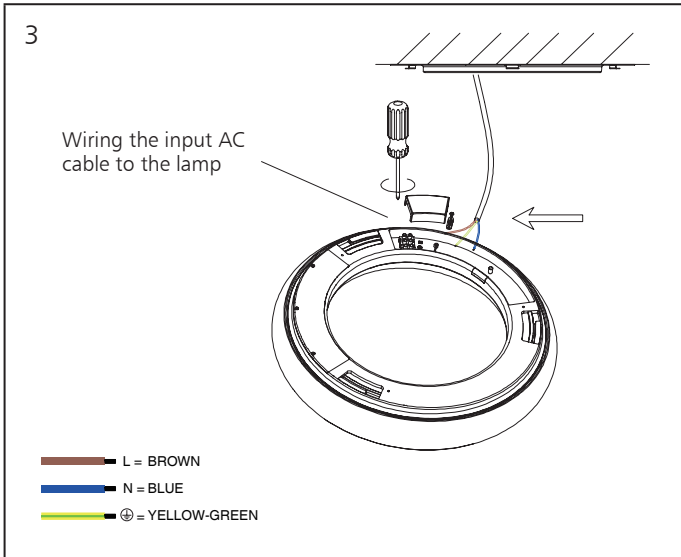
# Installation

## Surface mounted (Ring version)

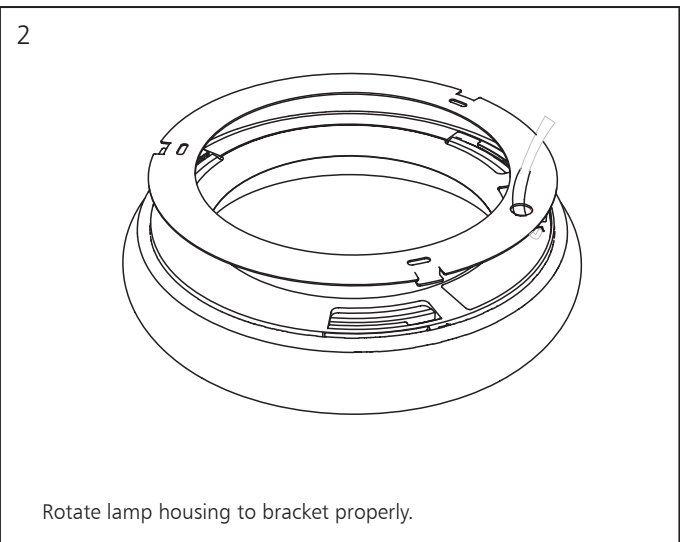
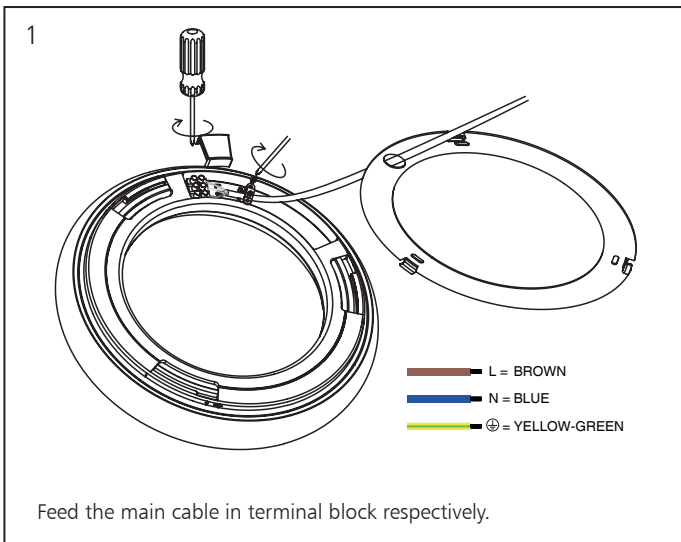
<p>1</p> <p>Ring version</p> <p>accessory pack</p>	<p>2</p> <p>Punch the plastic anchor into ceiling.</p> <p>Fix bracket onto ceiling with screws.</p>
<p>3</p> <p>Wiring the input AC cable to the lamp</p> <p>L = BROWN N = BLUE ⊕ = YELLOW-GREEN</p>	<p>4</p> <p>Fix the luminaire to the bracket, the slots should be firmly attached to the hooks of the bracket.</p> <p>slot</p> <p>15°</p>
<p>5</p> <p>Installation complete, switch on.</p>	

## Surface mounted (Disc version)

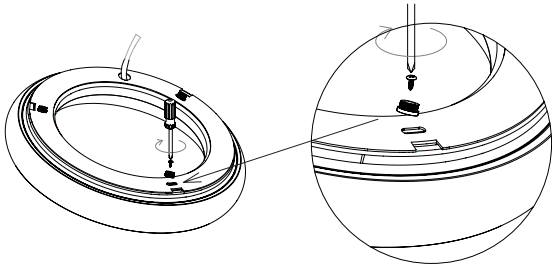
<p>1</p> <p>Disc version</p> <p>accessory pack</p>	<p>2</p> <p>Punch the plastic anchor into ceiling.</p> <p>Fix bracket onto ceiling with screws.</p>
--	---



### Suspended Installation

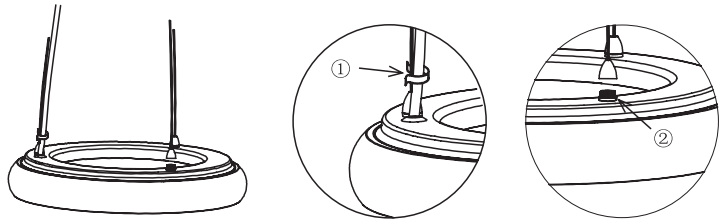


3

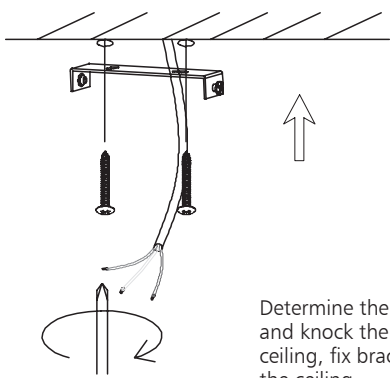


Fix three pieces of bases on surface mounted bracket.

1. Attach transparent DC wire to suspending rope by clips;
2. Fix the suspending ropes on the bases.

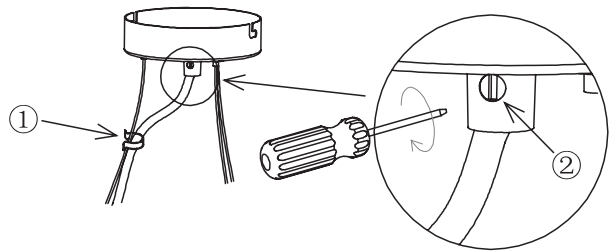


4



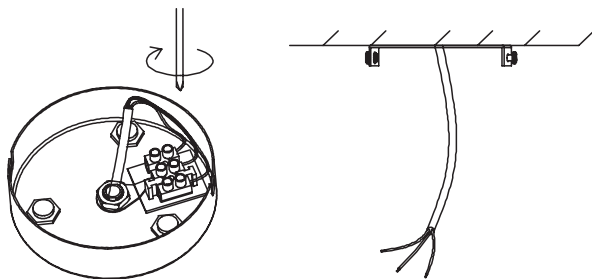
Determine the mounting location and knock the plastic anchor into ceiling, fix bracket with screws onto the ceiling.

5



1. Insert the transparent cable through cable entry;
2. Tighten screw by screwdriver to fix the cable.

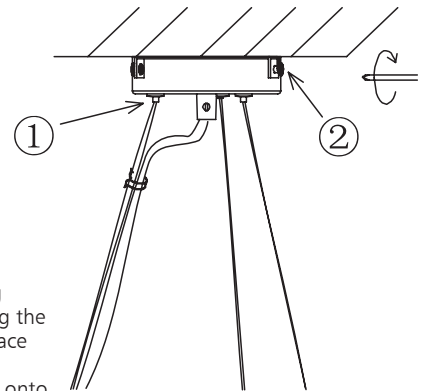
6



Feed the main cable in terminal block respectively.

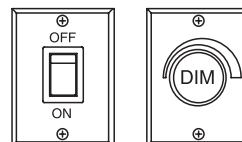
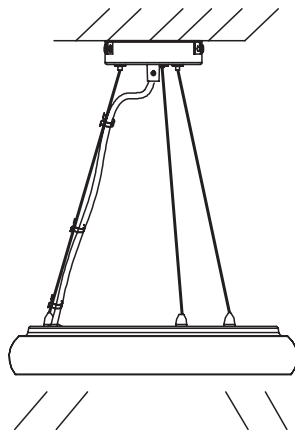
— L = BROWN  
 — N = BLUE  
 — ⊕ = YELLOW-GREEN

7



1. Adjust the suspending wire length by pressing the locking device on surface mount box,
2. Fix surface mount box onto bracket with screw.

Finish





## Packaging Information

Surface Mounted Ring version	SIZE(CM)	N.W/pc (KGS)	G.W.(KGS)	Q'TY(PCS)
Carton	45.5*46*50	1.6	12	6

Surface Mounted Ring version	CTNS	Q'TY(PCS)	VOLUME(CBM)
20" standard container	265	1590	28
40" standard container	530	3180	56

Surface Mounted Disc version	SIZE(CM)	N.W/pc (KGS)	G.W.(KGS)	Q'TY(PCS)
Carton	45.5*46*50	2.1	15	6

Surface Mounted Disc version	CTNS	Q'TY(PCS)	VOLUME(CBM)
20" standard container	265	1590	28
40" standard container	530	3180	56

Suspended accessories	SIZE(CM)	N.W/pc (KGS)	G.W.(KGS)	Q'TY(PCS)
Carton	45.5*46*50	1.89	13.8	6

Suspended accessories	CTNS	Q'TY(PCS)	VOLUME(CBM)
20" standard container	265	1590	28
40" standard container	530	3180	56

