



UPSHINE®



Technical Application
Guide for UP-SHINE
LED Pendant Linear
UP-DB08-1200-40W-E

Introduction



The design of batten realizes low cost, simple construction and superior capability, milky PC diffuser achieves anti-glare and high light transmittance. It is made of high lumen 2835SMD led chip, energy saving, instant start, no flickering, no noise & UV/IR radiation, environmental friendly without Mercury or any other hazardous substances. It is a high efficient and low cost product with quite large potential market. Ideal replacement for various applications such as workshop, warehouse, exhibition hall, factory, shop, supermarket etc.

- Aluminum components generate a rust-free product for less maintenance
- Up to 70% energy saving compared to standard CFL
- Environment friendly, without Mercury or any other hazardous substances

Application notes

- IP20 for indoor use only
- Professional electrician for installation only
- Switch off before installation
- Do not touch when in use
- Keep away from hot steam and corrosive gas

Application Areas

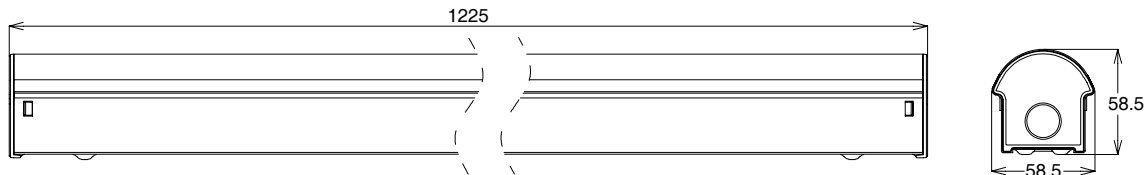
Widely used in office, meeting room, hotel, school etc.

Certificate

CE **RoHS**



Product Information



Technical Specifications

Model	Voltage	Power	Power Factor	Lumen (±5%)	Beam angle	CCT	Lifespan	CRI	Dimmable	Dimension
UP-DB08-1200-40W-E	AC230V	40W	≥0.9	3760	120°	3000K	40000h	≥80	No	L1225*W58.5*H58.5mm
UP-DB08-1200-40W-E	AC230V	40W	≥0.9	3960	120°	4000K	40000h	≥80	No	L1225*W58.5*H58.5mm
UP-DB08-1200-40W-E	AC230V	40W	≥0.9	3880	120°	5000K	40000h	≥80	No	L1225*W58.5*H58.5mm
UP-DB08-1200-40W-E	AC230V	40W	≥0.9	3800	120°	5700K	40000h	≥80	No	L1225*W58.5*H58.5mm

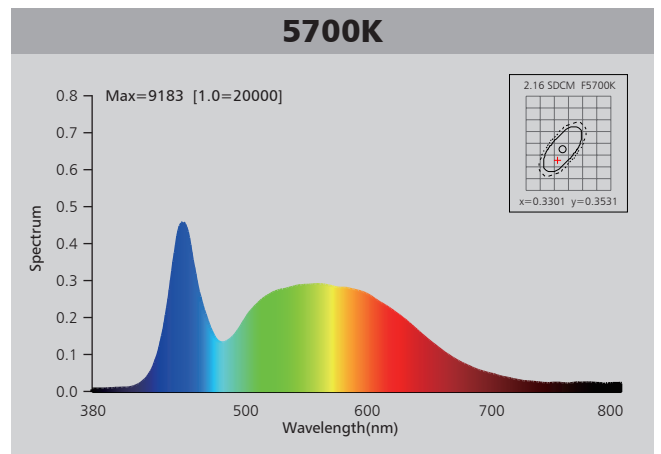
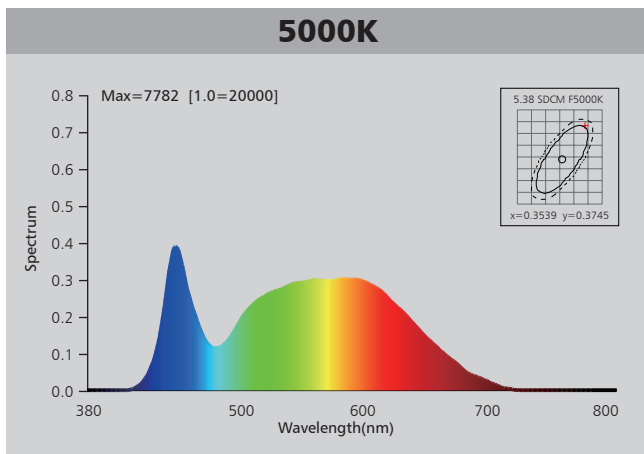
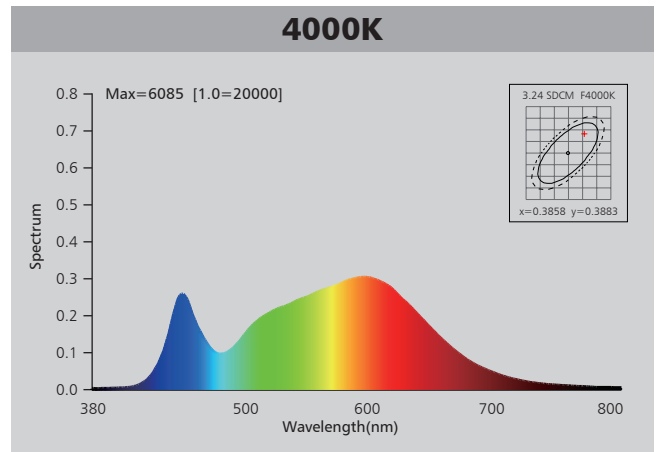
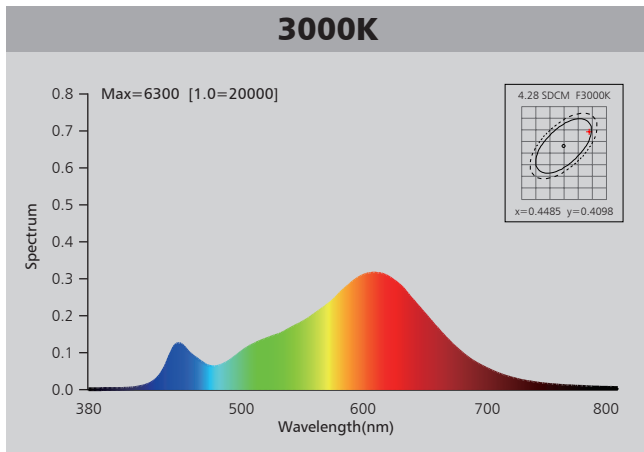
Driver data Sheet

Driver data	Emergency	Main Power
Input rated Voltage	AC230V	AC230V
Frequency	50Hz	50Hz
Input Voltage	AC200-240V	AC200-240V
Efficiency	≥78%	≥85%
No load wattage	—	≤0.5W
Total load Wattage	4W	40W±5%
Power Factor	—	≥0.93
Rated input current	≤0.04A	≤0.2A
Full load output Voltage	DC25-68V	60-75V
Rated output current	50-230mA	560mA
Output current range	—	560mA±5%
Power tolerance	—	±5%
Current output tolerance	—	±5%
Battery	7.4V 2200mAh	—
Lifetime	30000hrs(battery changeable)	—
Battery duration	≥ 3hrs	—
Charge Period	≥ 24hrs	—
Emergency switching time	≅ 1S	—
Short circuit protection	PASS	PASS
Over voltage protection	—	PASS
Over temperature protection	—	—
THD	—	≤20%
Withstand voltage	AC1500V	AC1500V

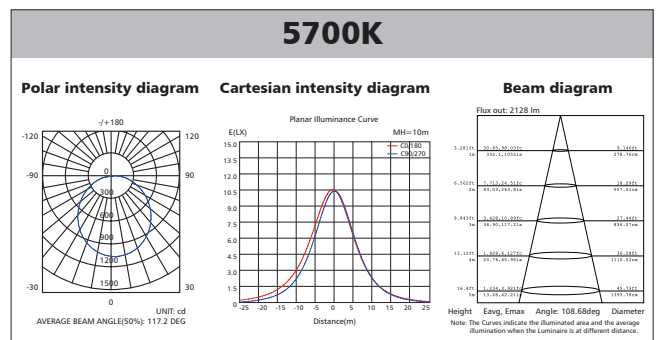
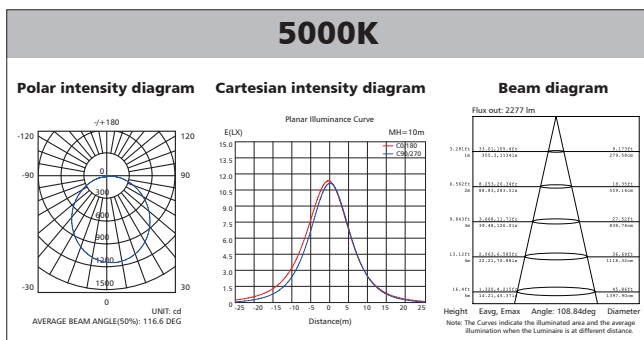
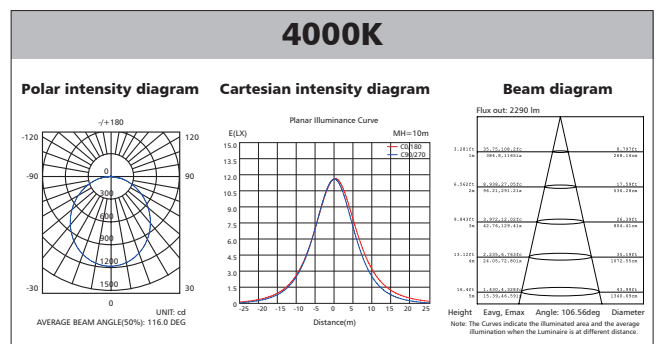
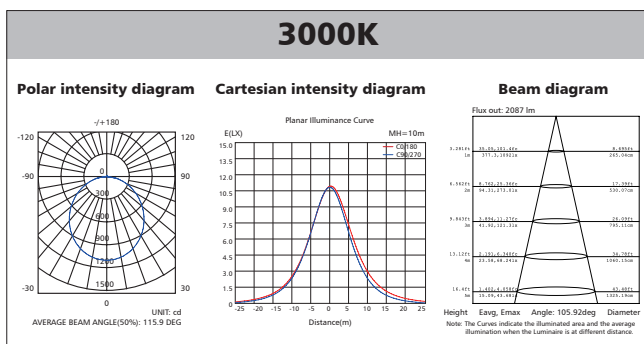
Fixture Compatibility

Rated Wattage	Electrical Classification	Ingress Protection	Operating Temp	Operating Humidity	Storage Temp
40W	I	IP20	-20°C~45°C	0~90%	-20°C~65°C

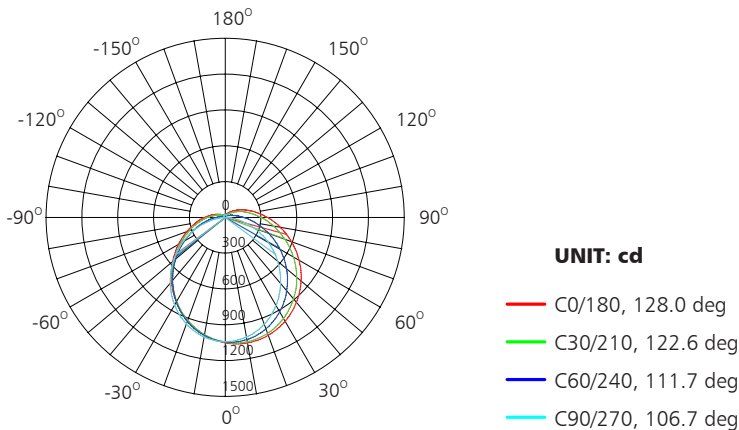
Spectral Distribution



Photometric Diagram

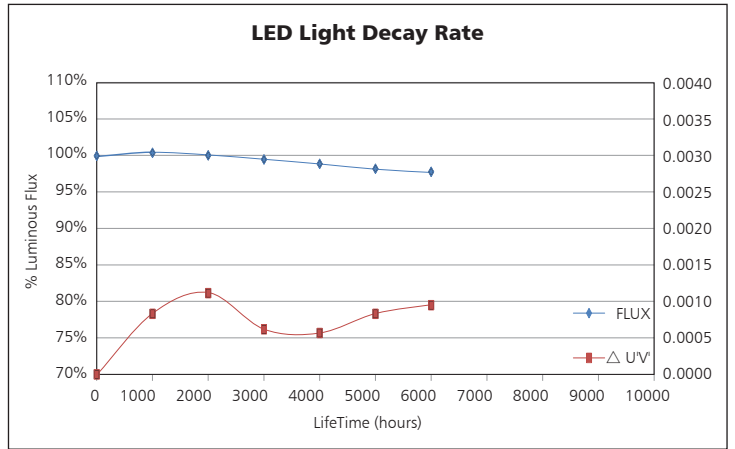
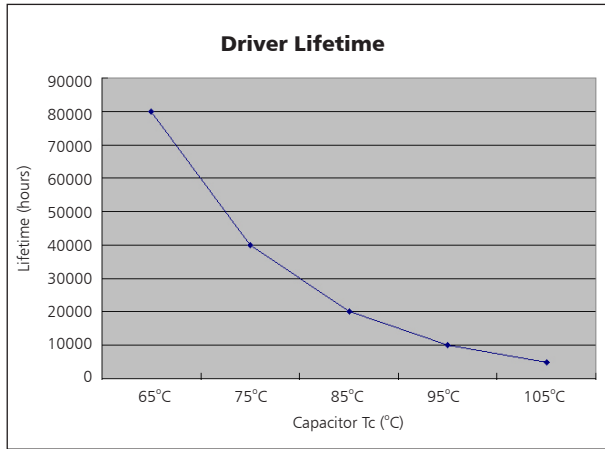


Polar Diagram Comparison



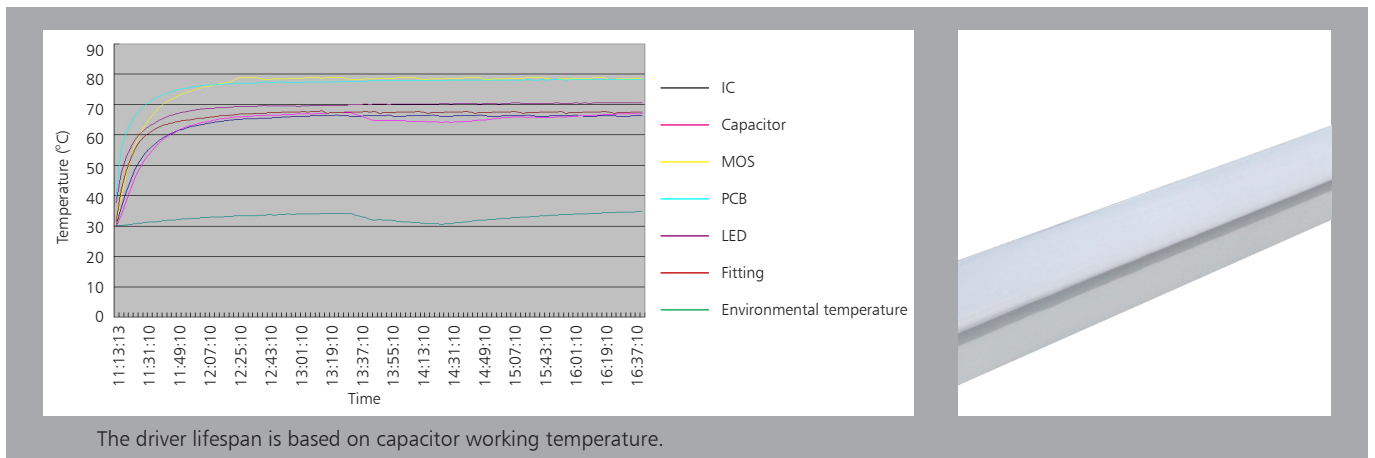
AVERAGE BEAM ANGLE (50%): 117.2DEG

Driver lifetime & LED light decay rate

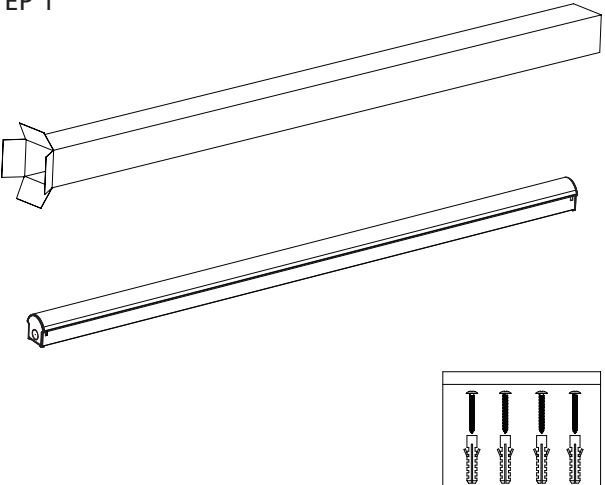
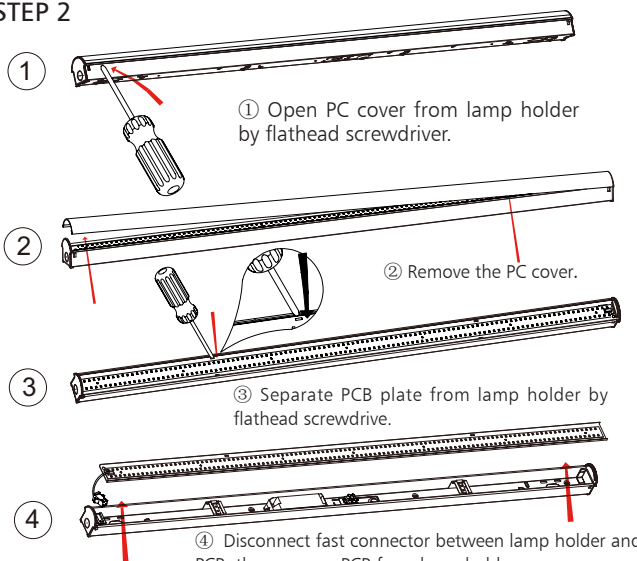
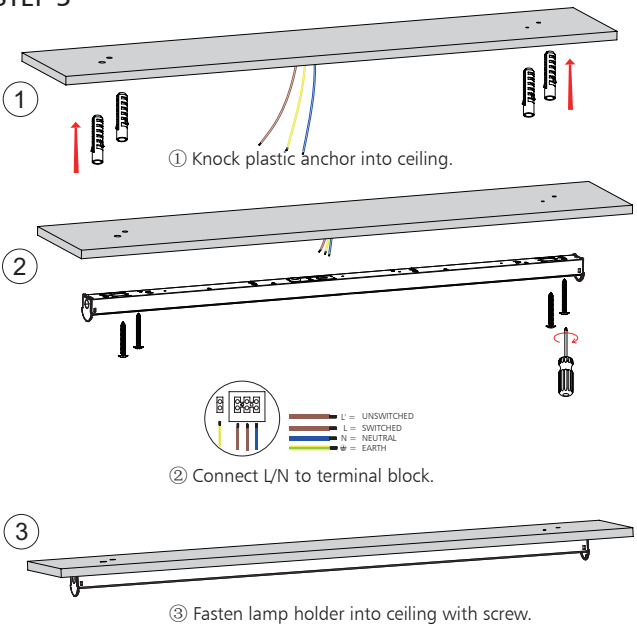
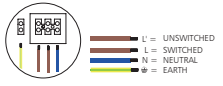
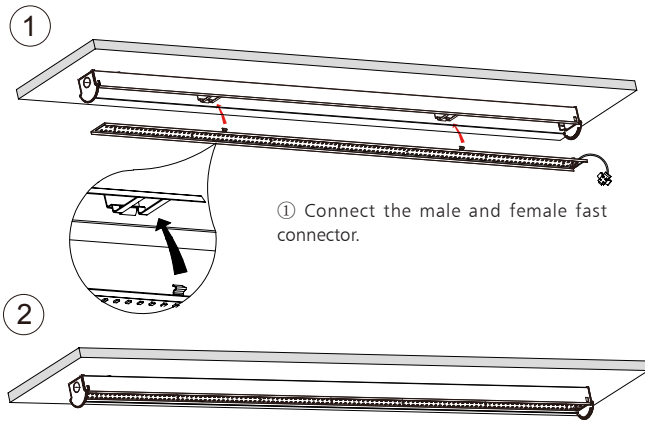
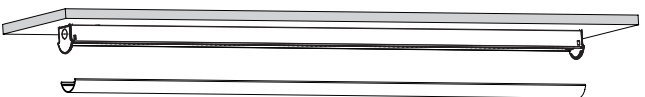
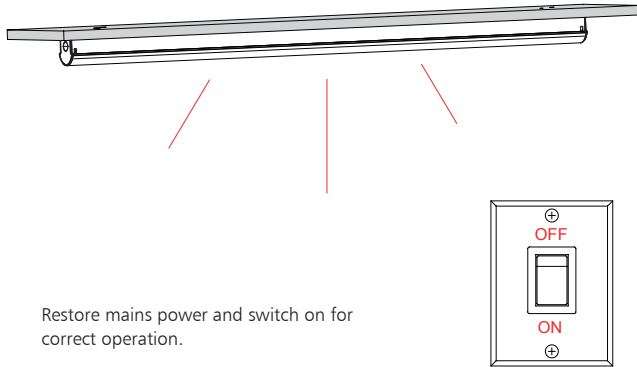


Temperature

- The testing is operated at 25°C
- The lifetime of capacitor, minimum of 5,000 hours if operated at 105°C, will be doubled whenever the temperature drops 10°C
- The highest withstand temperature of IC, MOS could be 120°C
- The highest withstand temperature of LED junction temperature is 150°C

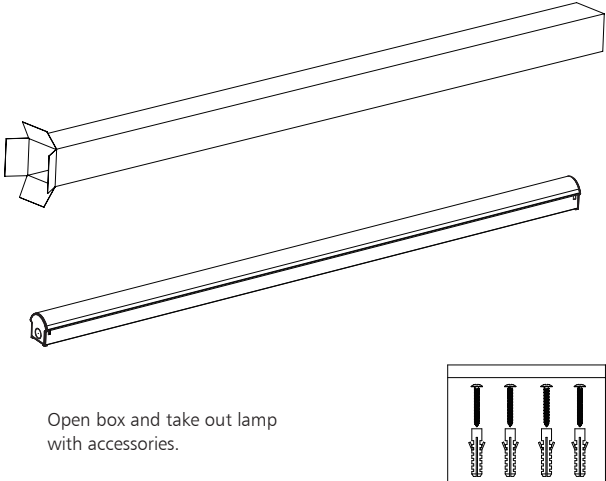


Installation 1

<p>STEP 1</p>  <p>Open the packing and take out the lamp</p>	<p>STEP 2</p>  <p>① Open PC cover from lamp holder by flathead screwdriver.</p> <p>② Remove the PC cover.</p> <p>③ Separate PCB plate from lamp holder by flathead screwdriver.</p> <p>④ Disconnect fast connector between lamp holder and PCB, then remove PCB from lamp holder.</p>
<p>STEP 3</p>  <p>① Knock plastic anchor into ceiling.</p> <p>② Connect L/N to terminal block.</p> <p>③ Fasten lamp holder into ceiling with screw.</p> <p>  </p>	<p>STEP 4</p>  <p>① Connect the male and female fast connector.</p> <p>② Put the PCB plate back into lamp holder by pushing it upward directly, until it is attached to lamp holder tightly.</p>
<p>STEP 5</p>  <p>Pushing PC cover back to lamp holder by hands, until it is firmly fixed.</p>	<p>STEP 6</p>  <p>Restore mains power and switch on for correct operation.</p>

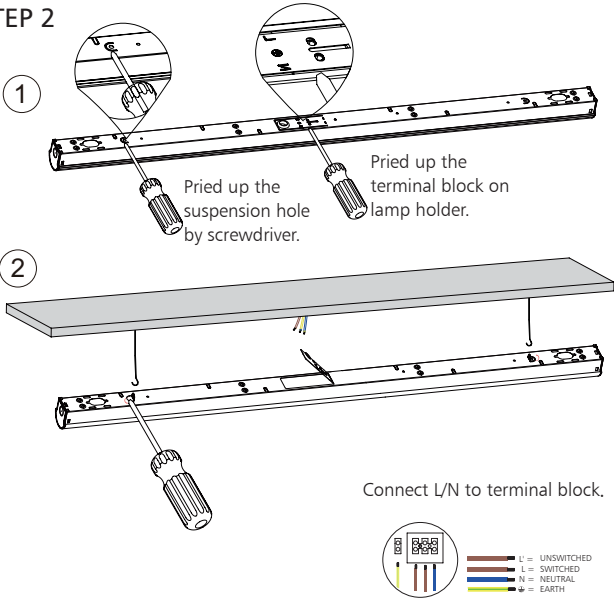
Installation 2

STEP 1



Open box and take out lamp with accessories.


STEP 2



1 Pried up the suspension hole by screwdriver.

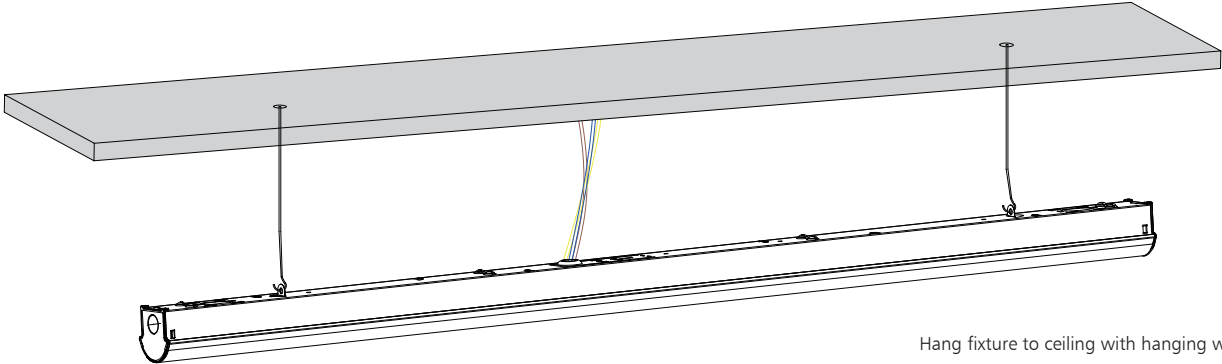
2 Pried up the terminal block on lamp holder.

Connect L/N to terminal block.



— L = UNSWITCHED
— L = SWITCHED
— N = NEUTRAL
— = EARTH

STEP 3



Hang fixture to ceiling with hanging wire.

Packaging Information

	SIZE(CM)	N.W/pc (KGS)	G.W.(KGS)	QTY(PCS)
Carton	129.5*34.5*15.5	1.78	20.8	10

	CTNS	QTY(PCS)	VOLUME(CBM)
20" standard container	398	3980	28
40" standard container	796	7960	56

