

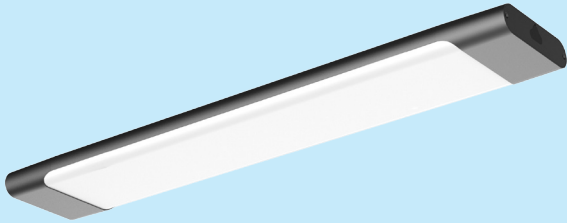


UPSHINE®



Technical Application
Guide for UP-SHINE
LED Batten
UP-DB05A-20W

Introduction



Up-shine batten realizes elegant design, low cost, super slim construction and superior capability, aluminium profile body for good thermal dissipate, surface color treatment is customizable. Easy installation provided with surface mounted and suspended. It is a high efficient and low cost product with quite large potential market.

- Up to 70% energy saving compared to standard CFL
- Long lifetime of 40,000 hours
- 120° wide beam angle
- CCT: 3000K 4000K
5000K 5700K
- No UV/IR light
- Environment friendly, without Mercury or any other hazardous substances

Application notes

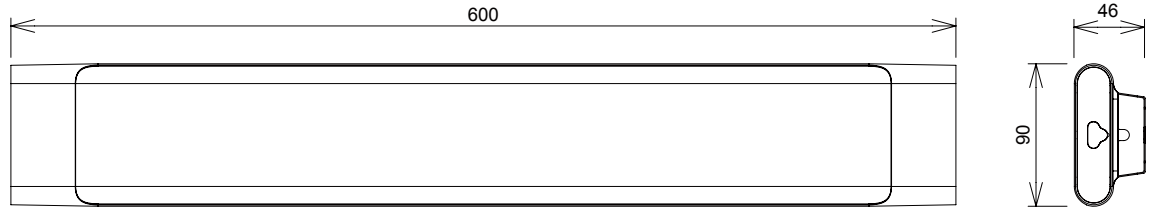
- IP20 for indoor use only
- The lamp must be installed by professional electrician
- Ensure the power supply is switched off before fitting this product
- Do not touch the lamp when in use
- Keep away from hot steam and corrosive gas

Application Areas

Widely used in office, meeting room, hotel, school etc.



Product Information



Technical Specifications

Model	Voltage	Power	Power Factor	Lumen (±5%)	Beam angle	CCT	Lifespan	CRI	Dimmable	Dimension
UP-DB05A-20W	AC100-240V	20W	≥0.9	1600	120°	3000K	40000h	≥80	No	L600*W90*H46mm
UP-DB05A-20W	AC100-240V	20W	≥0.9	1690	120°	4000K	40000h	≥80	No	L600*W90*H46mm
UP-DB05A-20W	AC100-240V	20W	≥0.9	1710	120°	5000K	40000h	≥80	No	L600*W90*H46mm
UP-DB05A-20W	AC100-240V	20W	≥0.9	1680	120°	5700K	40000h	≥80	No	L600*W90*H46mm
UP-DB05A-20W-D	AC230V	20W	≥0.9	1520	120°	3000K	40000h	≥80	Yes	L600*W90*H46mm
UP-DB05A-20W-D	AC230V	20W	≥0.9	1610	120°	4000K	40000h	≥80	Yes	L600*W90*H46mm
UP-DB05A-20W-D	AC230V	20W	≥0.9	1625	120°	5000K	40000h	≥80	Yes	L600*W90*H46mm
UP-DB05A-20W-D	AC230V	20W	≥0.9	1600	120°	5700K	40000h	≥80	Yes	L600*W90*H46mm

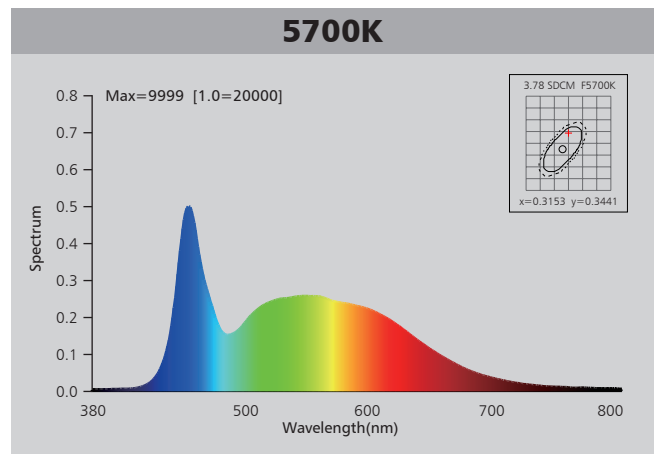
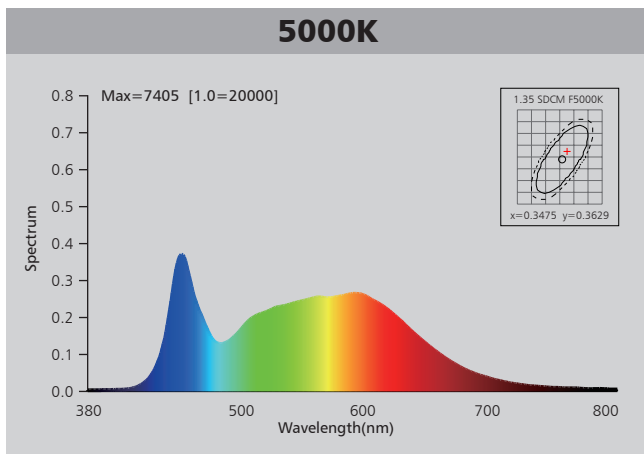
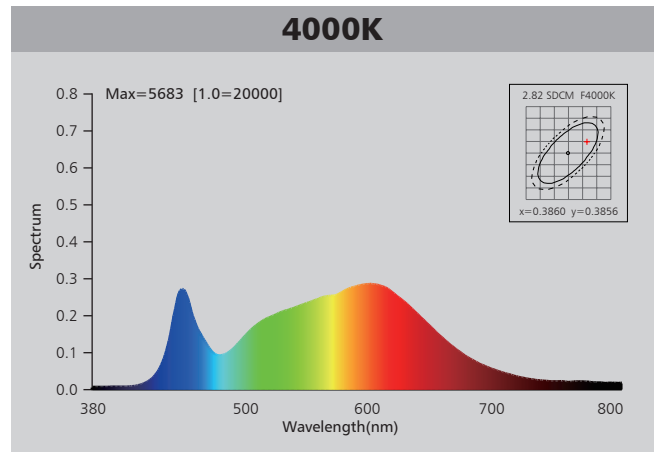
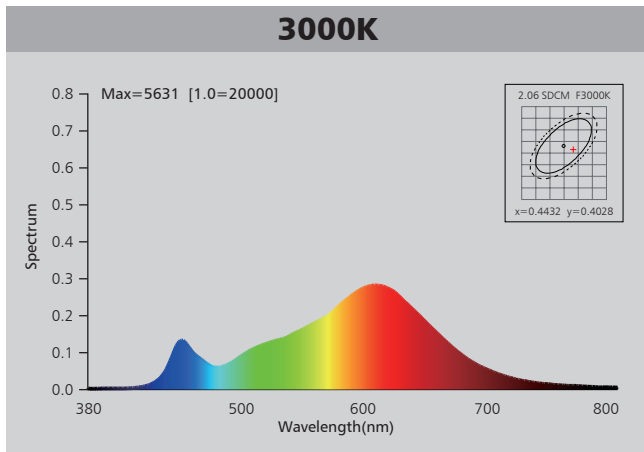
Driver data Sheet

Driver data	DIM	Non dim
Input rated Voltage	AC230V	AC100-240V
Frequency	50Hz	50/60Hz
Input Voltage	AC200-240V	AC85-265V
Efficiency	≥85%	≥90%
Total load Wattage	20W±5%	20W±5%
Power Factor	≥0.9	≥0.9
Rated input current	≤0.12A	≤0.24A
Full load output Voltage	DC65-78V	DC65-78V
Rated output current	240mA	260mA
Output current range	240mA±5%	260mA±5%
Power tolerance	±5%	±5%
Current output tolerance	±5%	±5%
Dimming range	8%-100%	—
Dimmer	Triac dimmers	—
Short circuit protection	PASS	PASS
Over voltage protection	PASS	PASS
Over temperature protection	PASS	PASS
THD	≤30%	≤20%
Withstand voltage	AC1500V	AC1500V

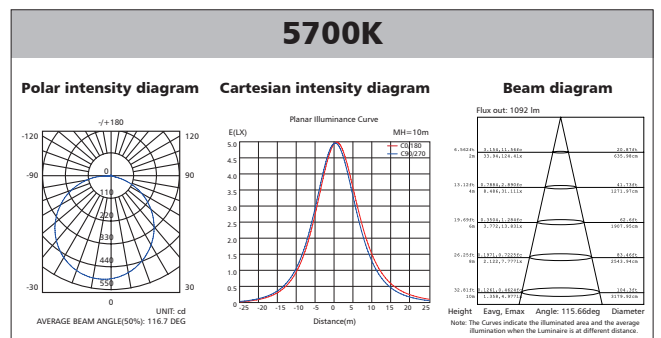
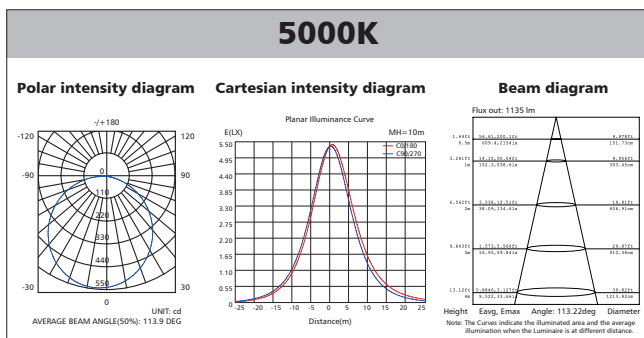
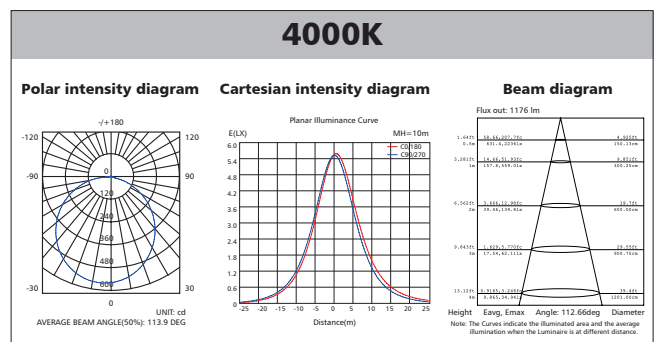
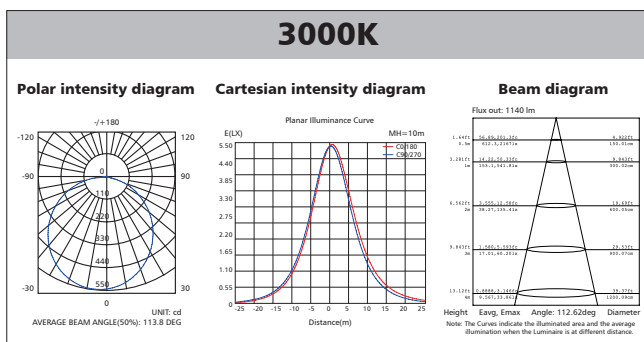
Fixture Compatibility

Rated Wattage	Electrical Classification	Ingress Protection	Operating Temp	Operating Humidity	Storage Temp
20W	I	IP20	-20°C~45°C	0~90%	-20°C~65°C

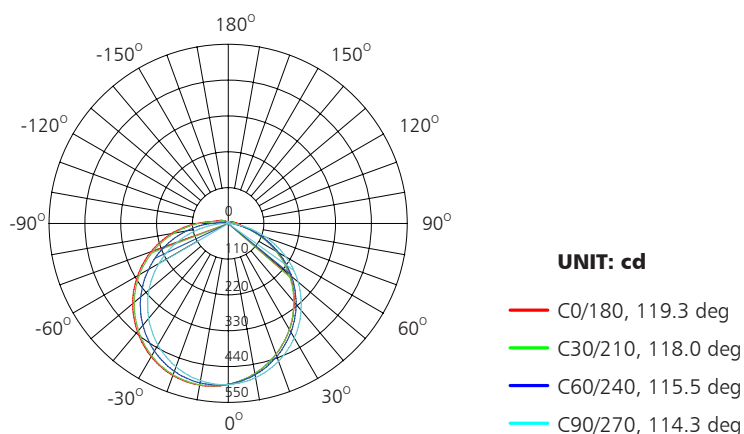
Spectral Distribution



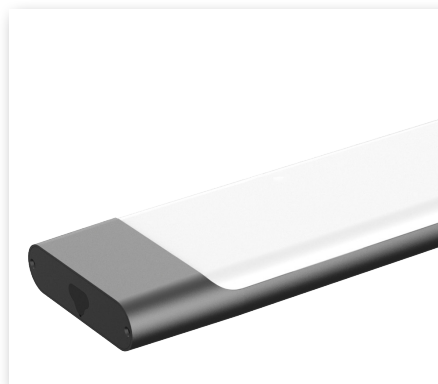
Photometric Diagram



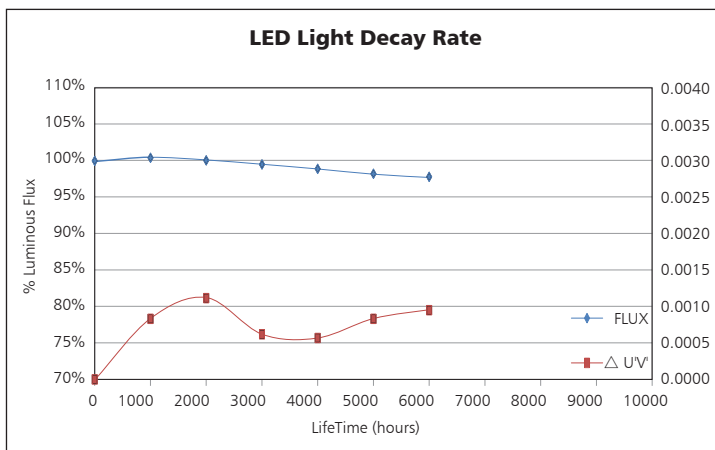
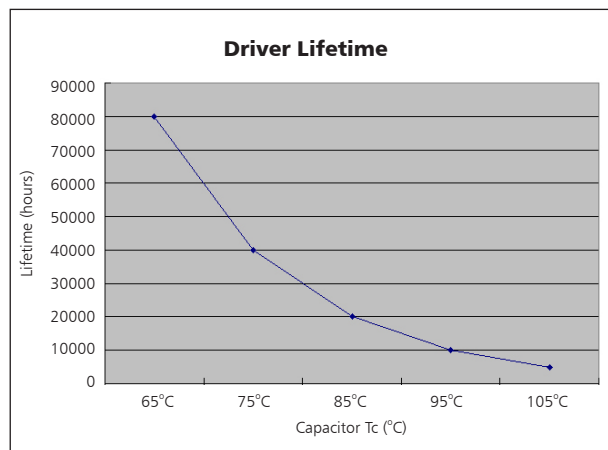
Polar Diagram Comparison



AVERAGE BEAM ANGLE (50%): 116.7DEG

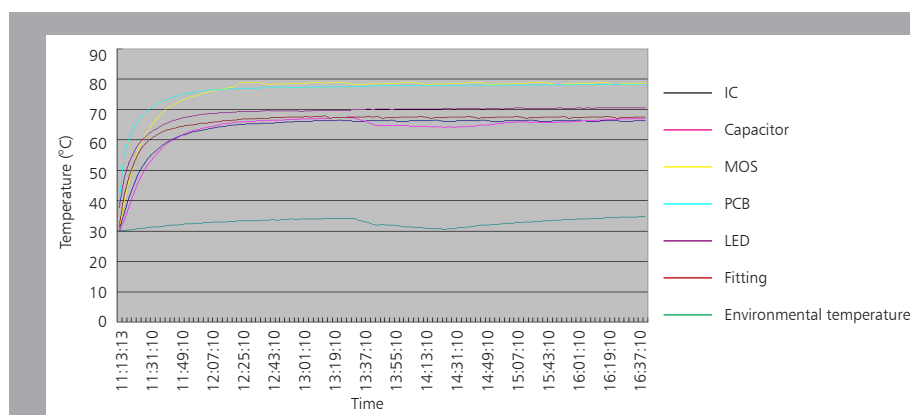


Driver lifetime & LED light decay rate



Temperature

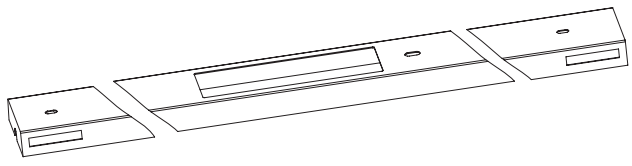
- The testing is operated at 25°C
- The lifetime of capacitor, minimum of 5,000 hours if operated at 105°C, will be doubled whenever the temperature drops 10°C
- The highest withstand temperature of IC, MOS could be 120°C
- The highest withstand temperature of LED junction temperature is 150°C



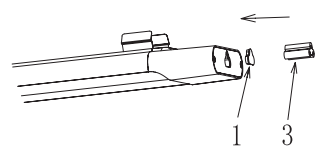
The driver lifespan is based on capacitor working temperature.

Surface mount

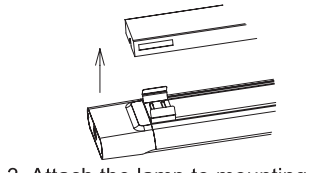
1. Fix the mounting bracket on ceiling or wall.



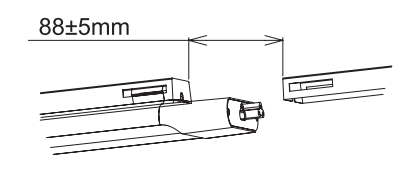
2. Install the connector between the lamps: Remove the small rubber plug (1) from lamp, insert the connector (3) into the lamp.



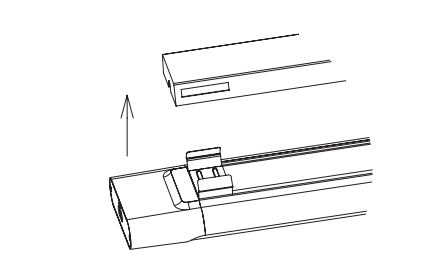
3. Attach the lamp to mounting bracket: push lamp into mounting bracket, make the spring clips stuck in the bracket.



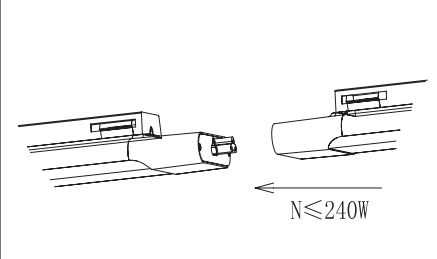
4. Install the next mounting bracket: the distance between the brackets should be $88\pm 5\text{mm}$, and all the brackets should keep in a straight line.



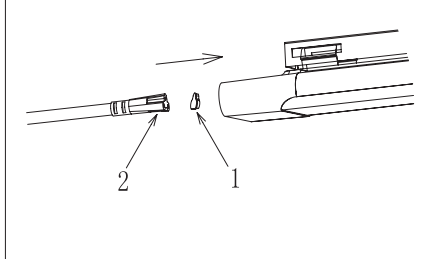
5. Attach the lamp to mounting bracket: Push lamp into mounting bracket; make the spring clips stuck in bracket.



6. Linking lamps: move the lamp towards the connector, connect with the other lamps. The total power consumption should be less than 240W.



7. Connect the lamps to the power supply: Remove the rubber plug (1) from the lamp, connect the AC input wire (2) to the lamp.



Mark hole fixing centres Drill holes Insert rawl plug into hole Fix in position

Packaging Information

	SIZE(CM)	N.W/pc (KGS)	G.W.(KGS)	Q'TY(PCs)
Carton	63.5*30.5*24	0.86	13	12

	CTNS	Q'TY(PCs)	VOLUME(CBM)
20" standard container	589	7068	28
40" standard container	1178	14136	56

