

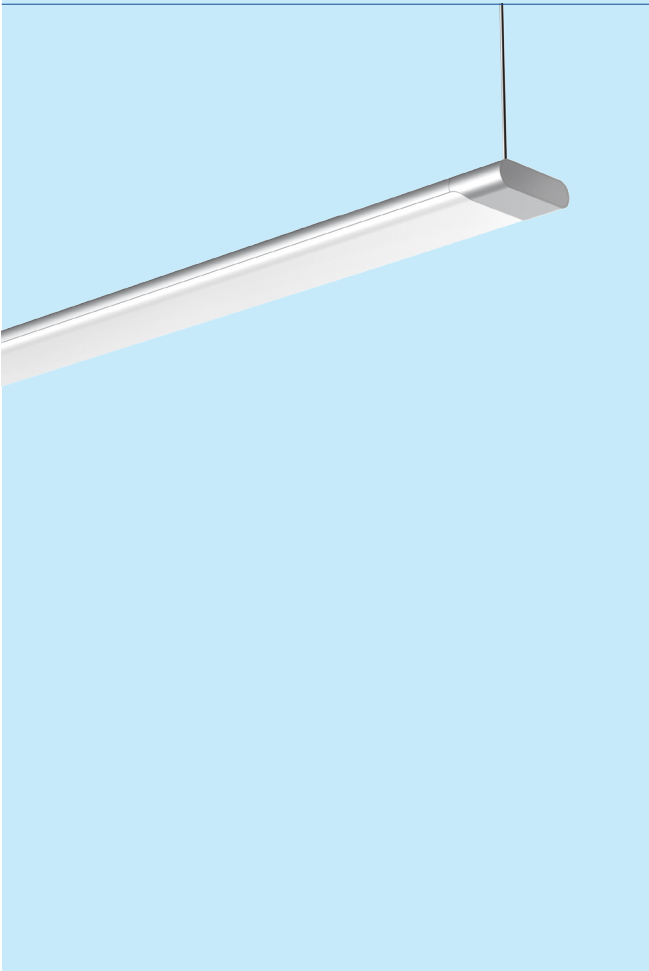


UPSHINE<sup>®</sup>



Technical Application  
Guide for UP-SHINE  
LED Batten  
UP-DB05B-30W

# Introduction



Up-shine batten realizes elegant design, low cost, super slim construction and superior capability, aluminium profile body for good thermal dissipate, surface color treatment is customizable. Easy installation provided with surface mounted and suspended. It is a high efficient and low cost product with quite large potential market.

- Up to 70% energy saving compared to standard CFL
- Long lifetime of 40,000 hours
- 120° wide beam angle
- CCT: 3000K 4000K  
5000K 5700K
- No UV/IR light
- Environment friendly, without Mercury or any other hazardous substances

## Application notes

- IP20 for indoor use only
- The lamp must be installed by professional electrician
- Ensure the power supply is switched off before fitting this product
- Do not touch the lamp when in use
- Keep away from hot steam and corrosive gas

## Application Areas

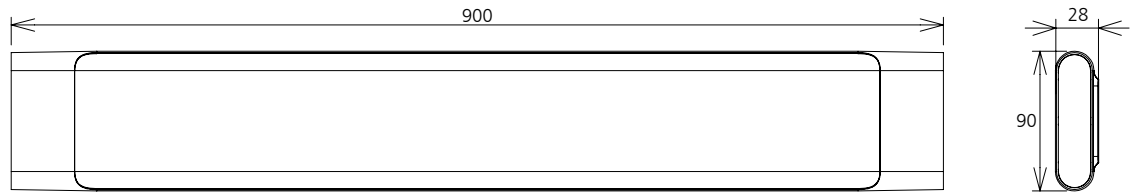
Widely used in office, meeting room, hotel, school etc.

## Certificate

**CE** **RoHS** **SAA**



# Product Information



## Technical Specifications

Model	Voltage	Power	Power Factor	Lumen (±5%)	Beam angle	CCT	Lifespan	CRI	Dimmable	Dimension
UP-DB05B-30W	AC100-240V	30W	≥0.9	2600	120°	3000K	40000h	≥80	No	L900*W90*H28mm
UP-DB05B-30W	AC100-240V	30W	≥0.9	2630	120°	4000K	40000h	≥80	No	L900*W90*H28mm
UP-DB05B-30W	AC100-240V	30W	≥0.9	2610	120°	5000K	40000h	≥80	No	L900*W90*H28mm
UP-DB05B-30W	AC100-240V	30W	≥0.9	2560	120°	5700K	40000h	≥80	No	L900*W90*H28mm
UP-DB05B-30W-D	AC230V	30W	≥0.9	2450	120°	3000K	40000h	≥80	Yes	L900*W90*H28mm
UP-DB05B-30W-D	AC230V	30W	≥0.9	2490	120°	4000K	40000h	≥80	Yes	L900*W90*H28mm
UP-DB05B-30W-D	AC230V	30W	≥0.9	2480	120°	5000K	40000h	≥80	Yes	L900*W90*H28mm
UP-DB05B-30W-D	AC230V	30W	≥0.9	2430	120°	5700K	40000h	≥80	Yes	L900*W90*H28mm

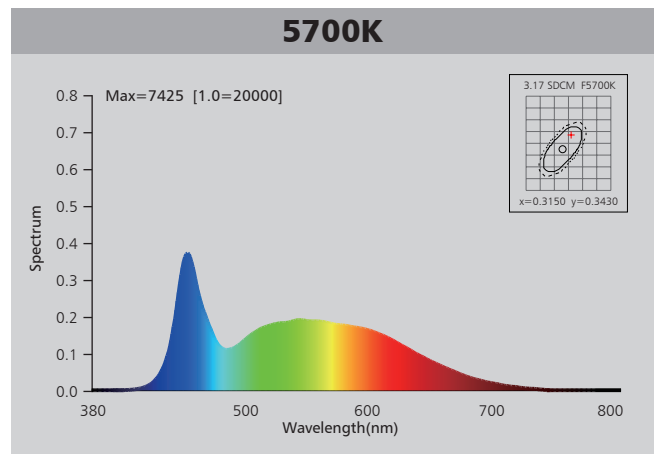
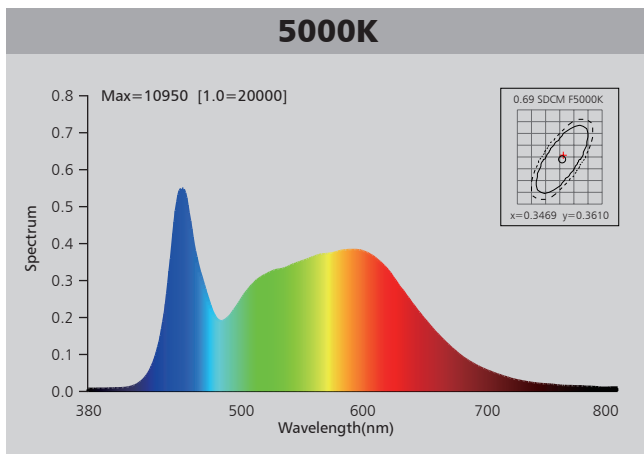
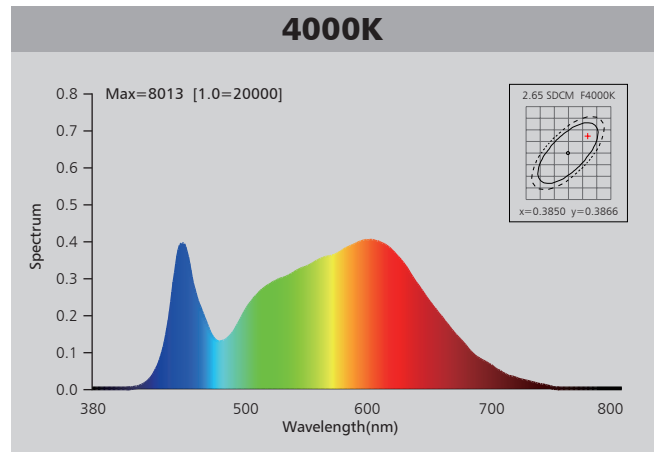
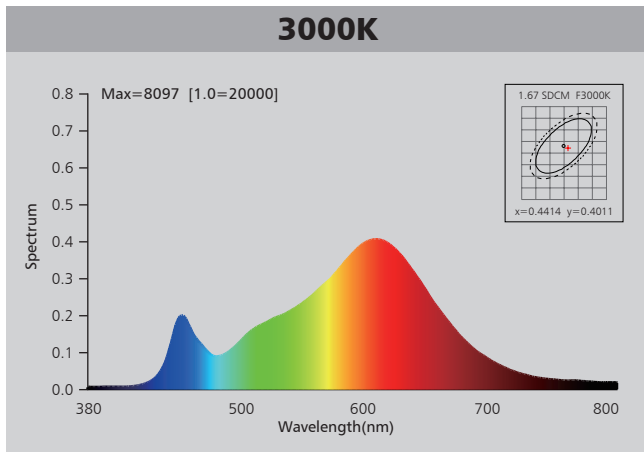
## Driver data Sheet

Driver data	DIM	Non dim
Input rated Voltage	AC230V	AC100-240V
Frequency	50Hz	50/60Hz
Input Voltage	AC200-240V	AC85-265V
Efficiency	≥85%	≥90%
Total load Wattage	30W±5%	30W±5%
Power Factor	≥0.9	≥0.9
Rated input current	≤0.17A	≤0.34A
Full load output Voltage	DC65-78V	DC65-78V
Rated output current	180mA*2	200mA*2
Output current range	180mA*2±5%	200mA*2±5%
Power tolerance	±5%	±5%
Current output tolerance	±5%	±5%
Dimming range	8%-100%	—
Dimmer	Triac dimmers	—
Short circuit protection	PASS	PASS
Over voltage protection	PASS	PASS
Over temperature protection	PASS	PASS
THD	≤30%	≤20%
Withstand voltage	AC1500V	AC1500V

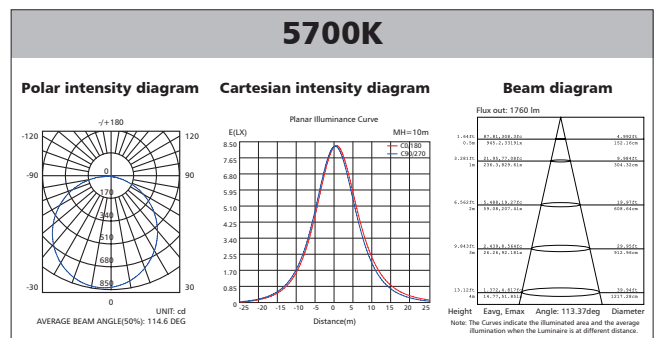
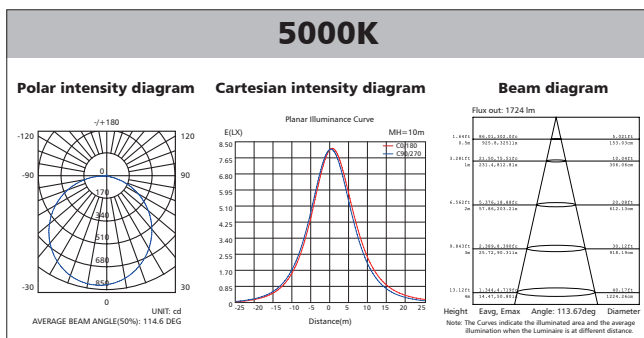
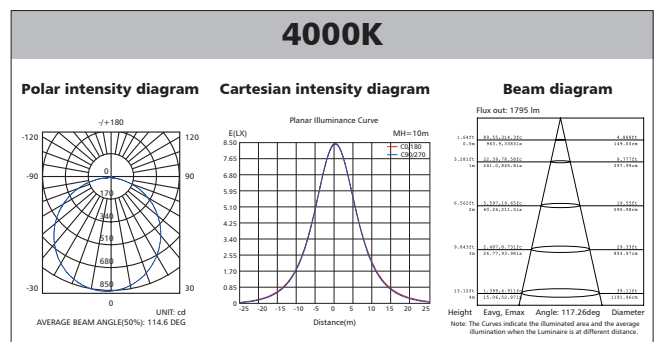
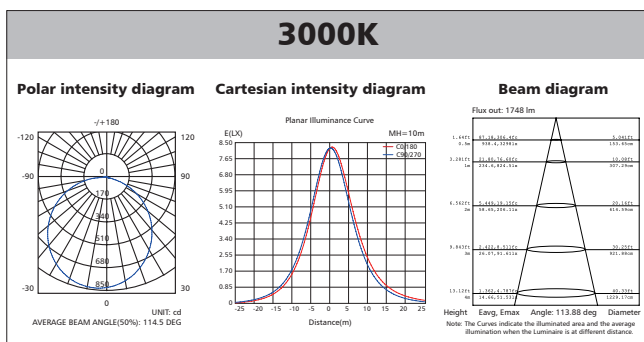
## Fixture Compatibility

Rated Wattage	Electrical Classification	Ingress Protection	Operating Temp	Operating Humidity	Storage Temp
30W	I	IP20	-20°C~45°C	0~90%	-20°C~65°C

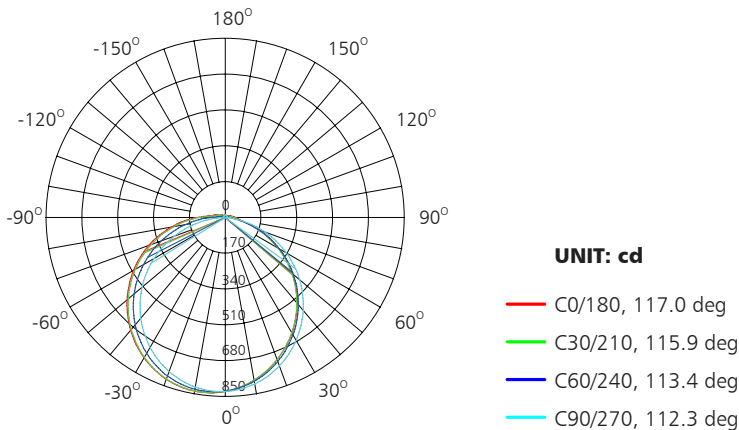
# Spectral Distribution



# Photometric Diagram

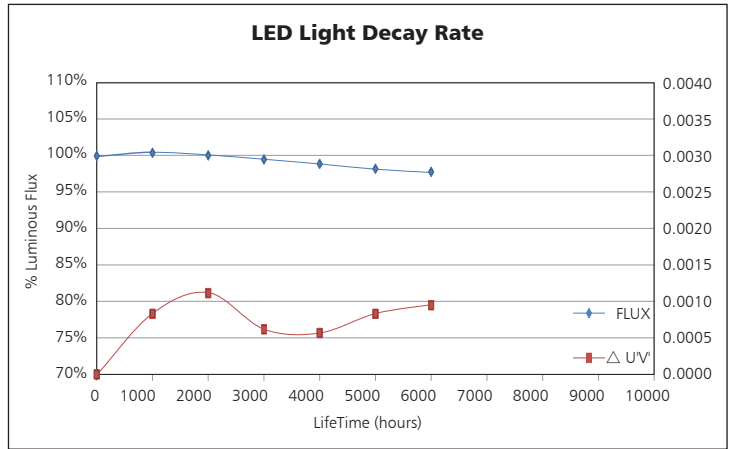
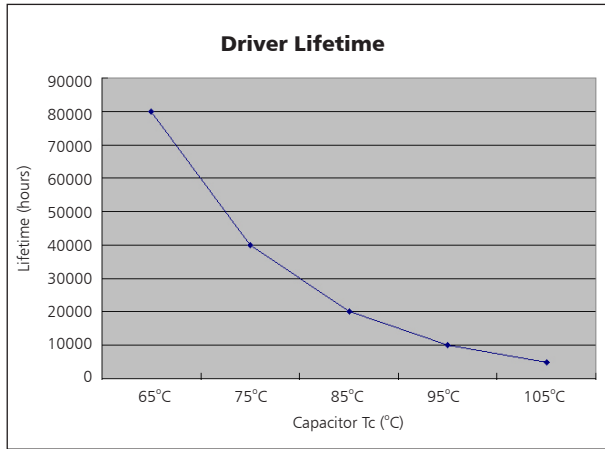


# Polar Diagram Comparison



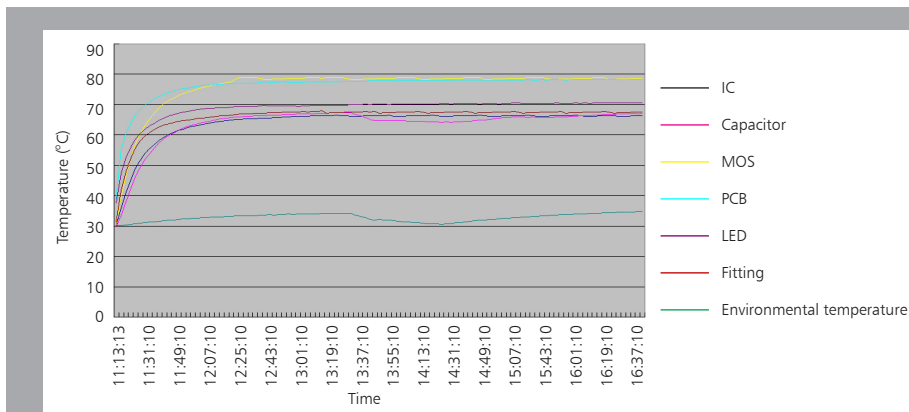
AVERAGE BEAM ANGLE (50%): 114.6DEG

# Driver lifetime & LED light decay rate



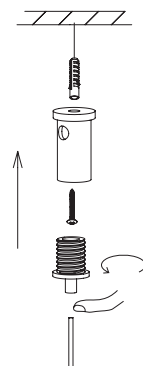
# Temperature

- The testing is operated at 25°C
- The lifetime of capacitor, minimum of 5,000 hours if operated at 105°C, will be doubled whenever the temperature drops 10°C
- The highest withstand temperature of IC, MOS could be 120°C
- The highest withstand temperature of LED junction temperature is 150°C

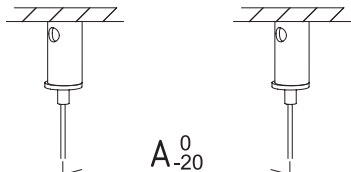


The driver lifespan is based on capacitor working temperature.

## Suspend install

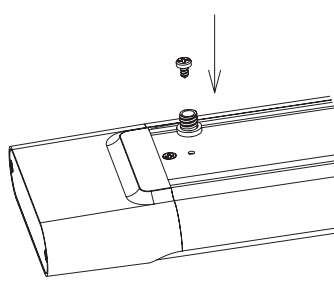


1. Fix the holders of suspending ropes on the ceiling.

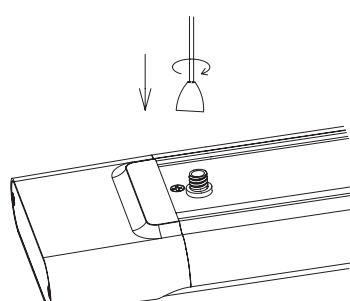


2. Keep the proper distance of the 2 pcs suspending ropes as below table.

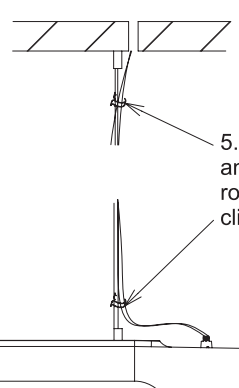
SPEC.	A <sub>-20</sub> <sup>0</sup>
600mm	464mm
900mm	764mm
1200mm	1064mm



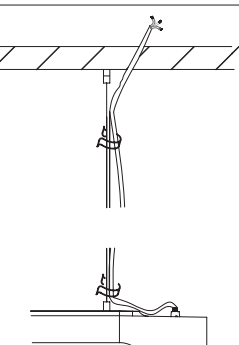
3. Fix the pedestal of installation ropes on the lamp by screws.



4. Screw the ropes into the pedestals.



5. Bind the AC wires and suspending ropes together by clips.

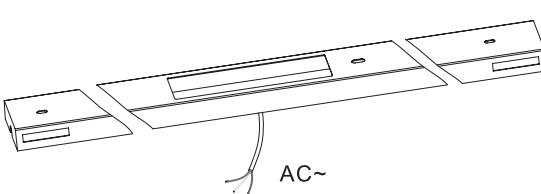


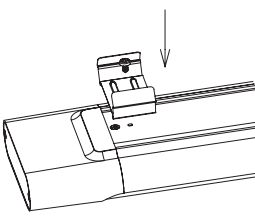
6. Connect to the power supply, installation complete.

- L= Brown
- N= Blue
- ⊕= Yellow-Green

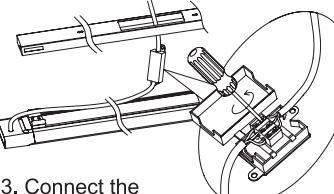
## Surface mount

1. Fix the mounting bracket on ceiling or wall, input conduction wires from the middle.



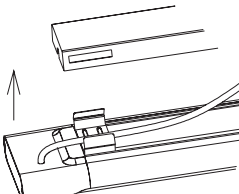


2. Fix the spring clips on the back of lamp by screws.

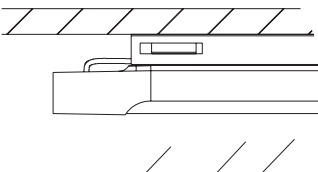


3. Connect the fixture lead with AC supplier wires by junction box.

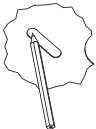
- L= Brown
- N= Blue
- ⊕= Yellow-Green




4. Attach the lamp to mounting bracket: Push lamp into mounting bracket, make the spring clips stuck in bracket.




5. Connect to the power supply, installation complete.




Mark hole fixing centres



Drill holes



Insert rawl plug into hole



Fix in position

## Packaging Information

	SIZE(CM)	N.W/pc (KGS)	G.W.(KGS)	Q'TY(PCS)
Carton	96.5*21*26	0.95	12.3	12

	CTNS	Q'TY(PCS)	VOLUME(CBM)
20" standard container	521	6252	28
40" standard container	1042	12504	56

