

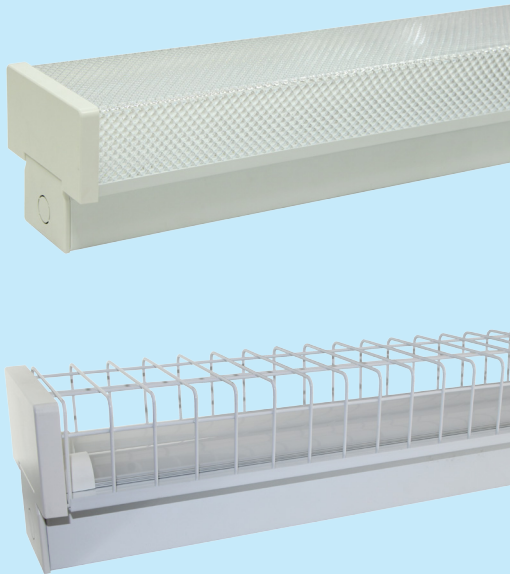


UPSHINE[®]



Technical Application
Guide for UP-SHINE
LED T8 Batten
UP-AL06-36W-C

Introduction



T8 Batten series suitable for ceilings, walls or pendant mounting. PS prismatic diffuser for visual comfort. Cover plate held securely by threaded nut for fast installation. High quality white epoxy powder coated finish. Large terminal block for ease in installation. New plastic snap-on end caps for easy installation of diffuser.

- Up to 70% energy saving compared to standard CFL
- Long lifetime of 40,000 hours
- 120° wide beam angle
- CCT: 3000K 4000K
5000K 5700K
- No UV/IR light
- Environment friendly, without Mercury or any other hazardous substances

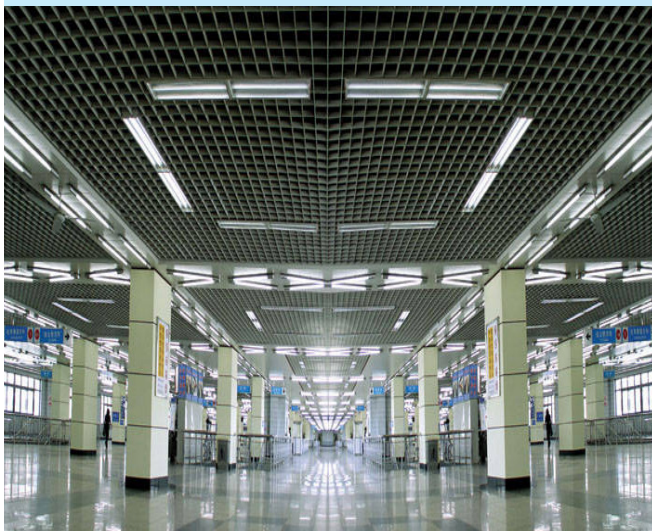
Application notes

- IP20 for indoor use only
- Professional electrician for installation only
- Switch off before installation
- Do not touch when in use
- Keep away from hot steam and corrosive gas

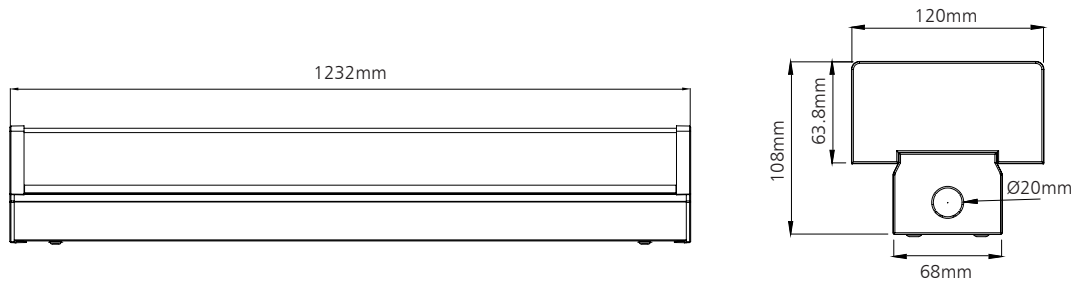
Application Areas

All commercial, industrial and domestic applications.

Certificate



Product Information



Technical Specifications

Model	Voltage	Power	Power Factor	Lumen (±5%)	Beam angle	CCT	Lifespan	CRI	Dimmable	Dimension
UP-AL06-36W-C	AC100-277V	36W	≥0.9	3060	120°	3000K	40000h	≥80	No	1232*120*108mm
UP-AL06-36W-C	AC100-277V	36W	≥0.9	3170	120°	4000K	40000h	≥80	No	1232*120*108mm
UP-AL06-36W-C	AC100-277V	36W	≥0.9	3250	120°	5000K	40000h	≥80	No	1232*120*108mm
UP-AL06-36W-C	AC100-277V	36W	≥0.9	3180	120°	5700K	40000h	≥80	No	1232*120*108mm

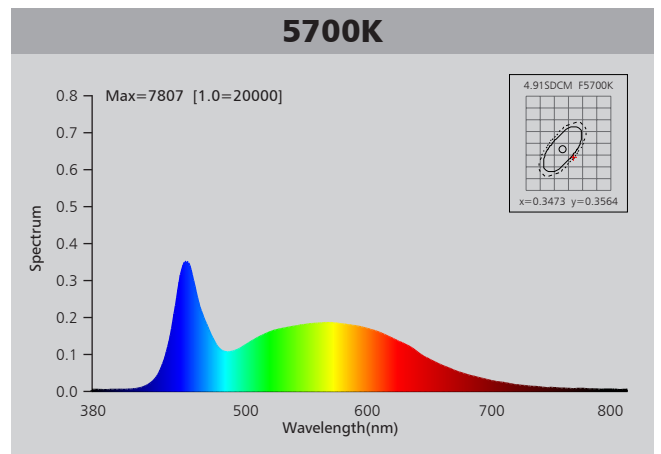
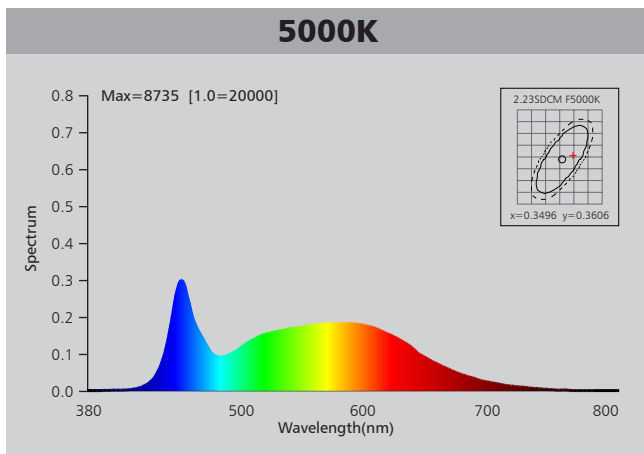
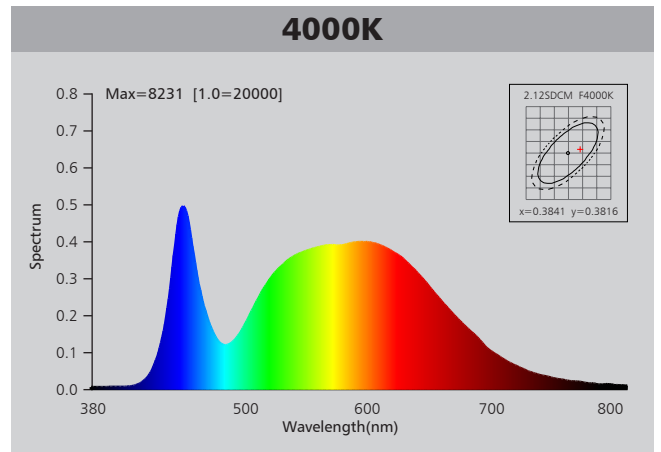
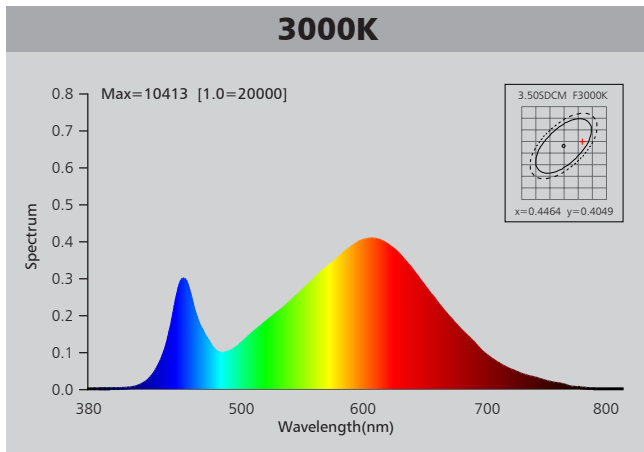
Driver data Sheet

Driver data	Non-dim
Input rated Voltage	AC100-277V
Frequency	50/60Hz
Input Voltage	AC90-305V
Efficiency	≥89%
Total load Wattage	36W±1W
Power Factor	≥0.9
Rated input current	≤0.4A
Full load output Voltage	DC60-75V
Rated output current	470mA
Output current range	470mA±5%
Power tolerance	±5%
Current output tolerance	±5%
Short circuit protection	PASS
Over voltage protection	PASS
Over temperature protection	PASS
Withstand voltage	AC1500V

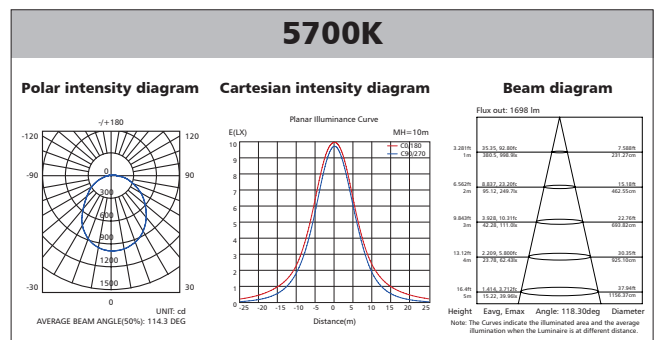
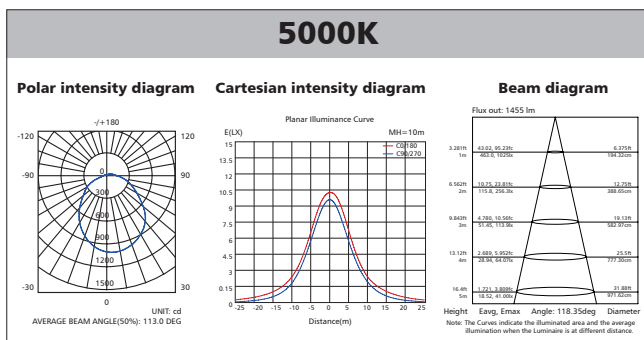
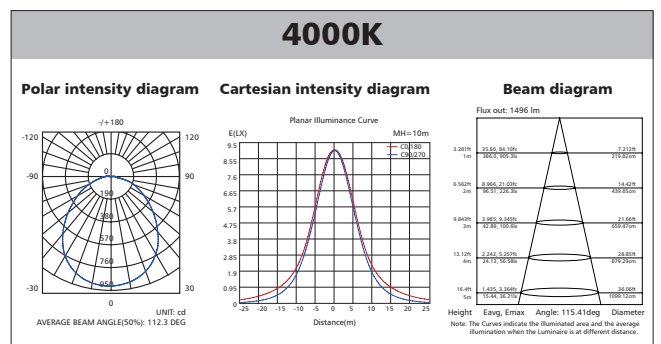
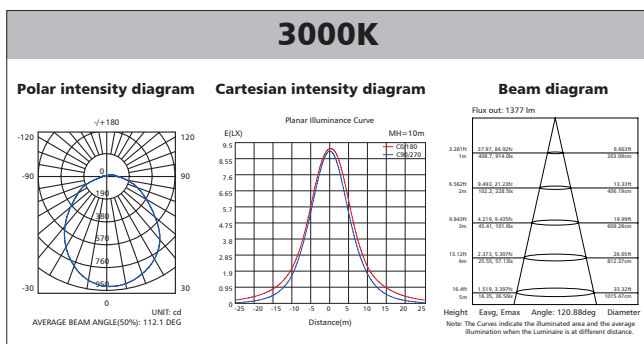
Fixture Compatibility

Rated Wattage	Electrical Classification	Ingress Protection	Operating Temp	Operating Humidity	Storage Temp
36W	I	IP20	-20°C~45°C	0~90%	-20°C~65°C

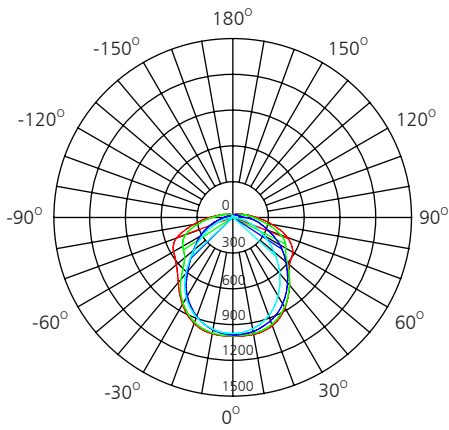
Spectral Distribution



Photometric Diagram



Polar Diagram Comparison



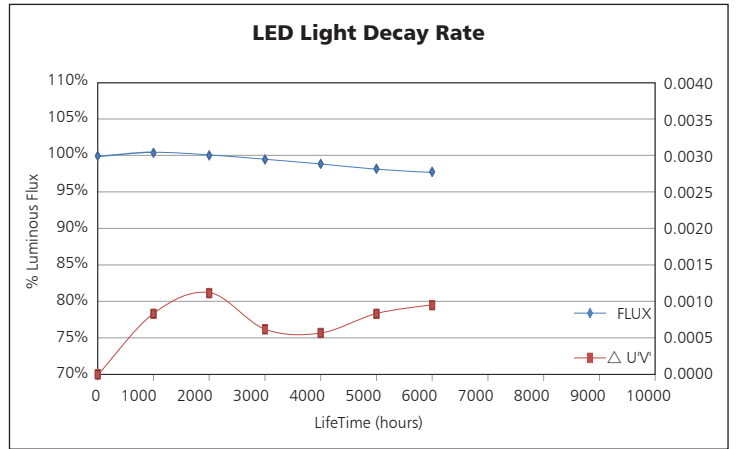
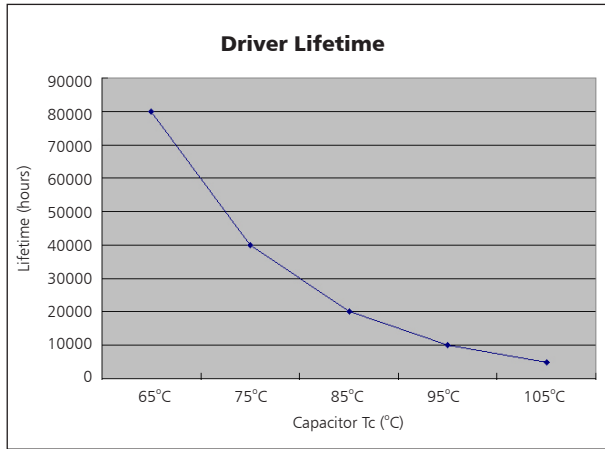
UNIT: cd

- C0/180, 119.5 deg
- C30/210, 119.9 deg
- C60/240, 112.9 deg
- C90/270, 114.8 deg



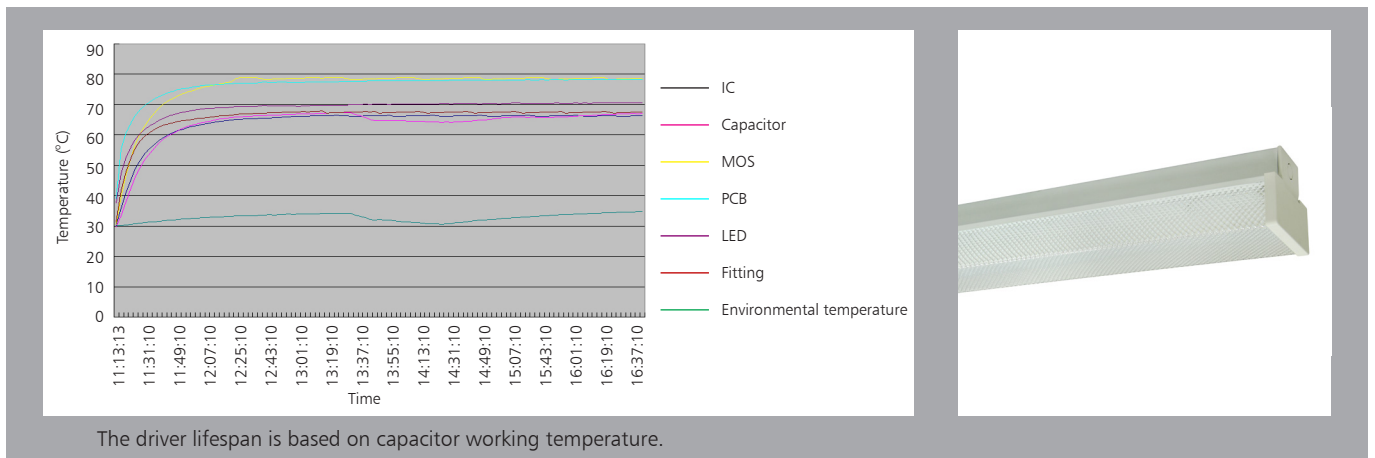
AVERAGE BEAM ANGLE (50%): 114.3DEG

Driver lifetime & LED light decay rate




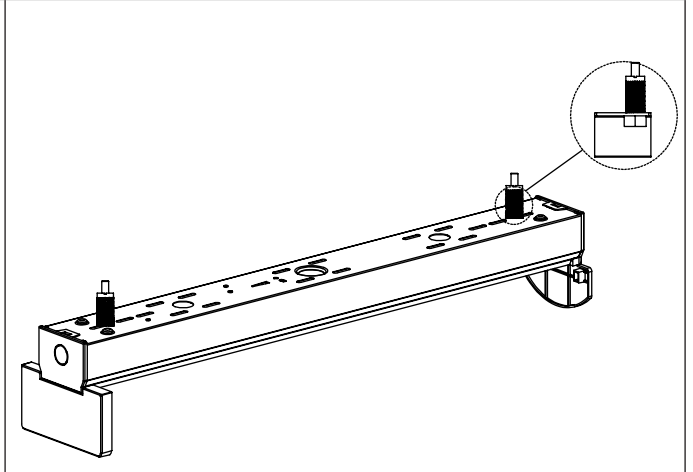
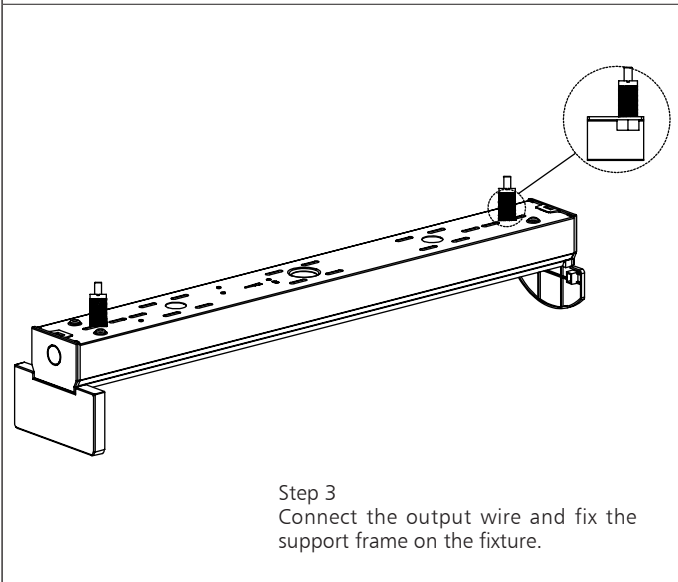
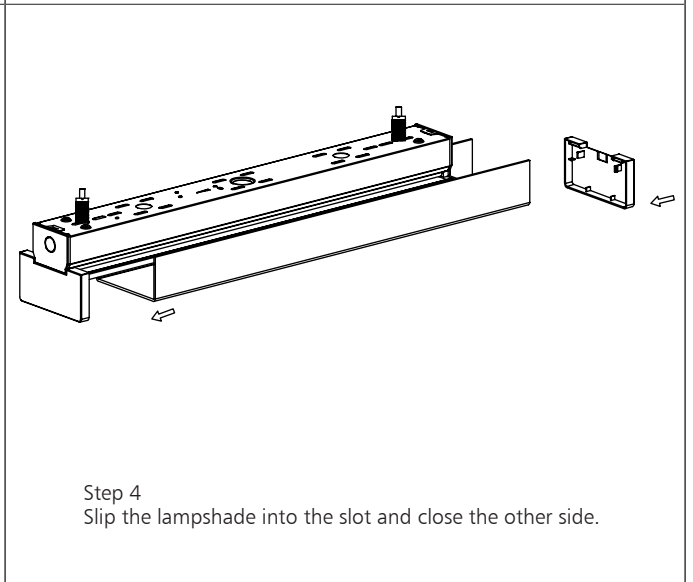
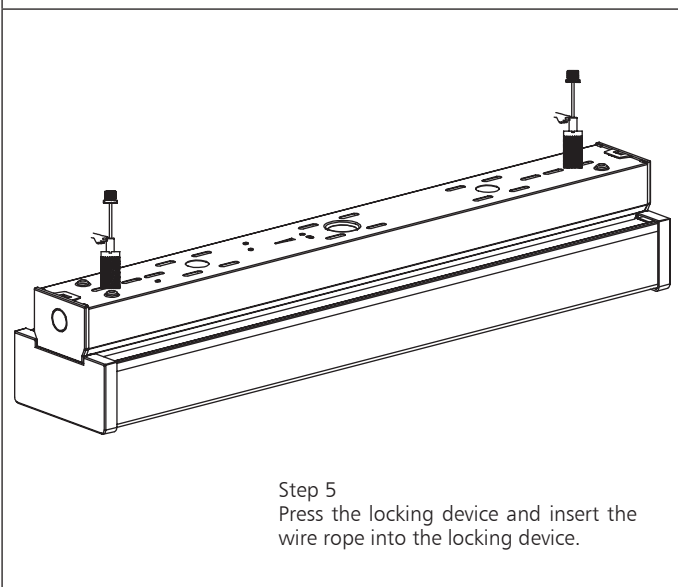
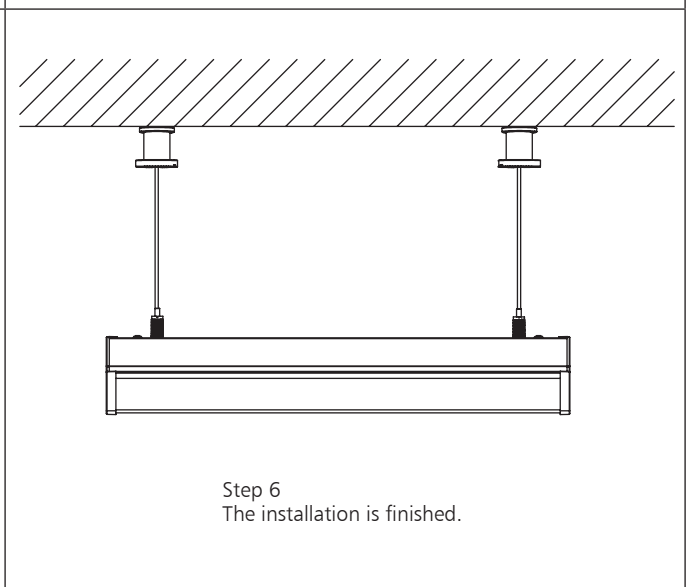
Temperature

- The testing is operated at 25°C
- The lifetime of capacitor, minimum of 5,000 hours if operated at 105°C, will be doubled whenever the temperature drops 10°C
- The highest withstand temperature of IC, MOS could be 120°C
- The highest withstand temperature of LED junction temperature is 150°C

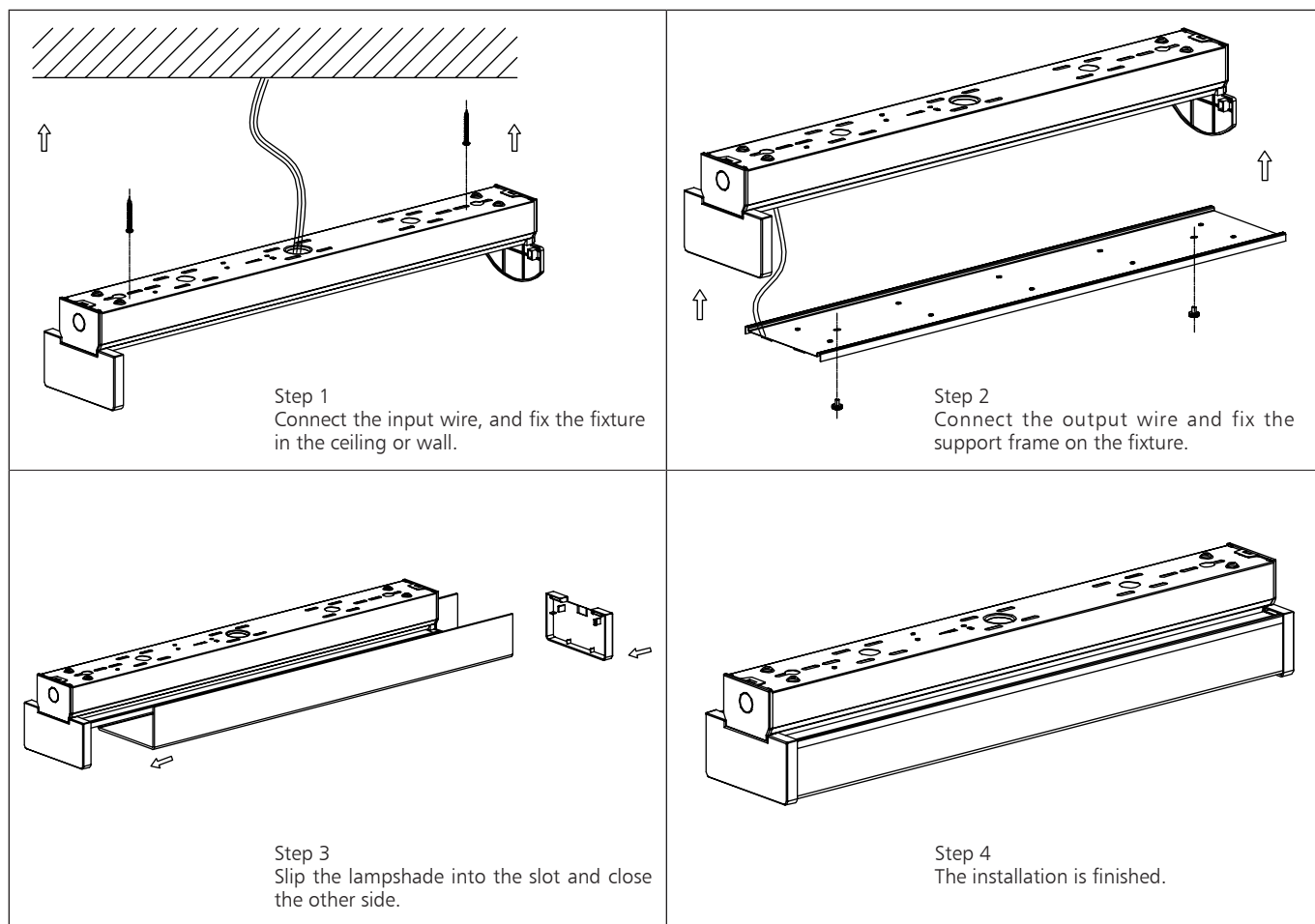


The driver lifespan is based on capacitor working temperature.

Installation

 <p>Step 1 Fix the ceiling accessories on the ceiling.</p>	 <p>Step 2 Fix the locking device on the fixture.</p>
 <p>Step 3 Connect the output wire and fix the support frame on the fixture.</p>	 <p>Step 4 Slip the lampshade into the slot and close the other side.</p>
 <p>Step 5 Press the locking device and insert the wire rope into the locking device.</p>	 <p>Step 6 The installation is finished.</p>

Installation



Packaging Information

	SIZE(CM)	N.W/pc (KGS)	G.W.(KGS)	Q'TY(PCS)
Carton	125.5*27.5*26	3.6	15.5	4

	CTNS	Q'TY(PCS)	VOLUME(CBM)
20" standard container	300	1200	28
40" standard container	600	2400	56

