



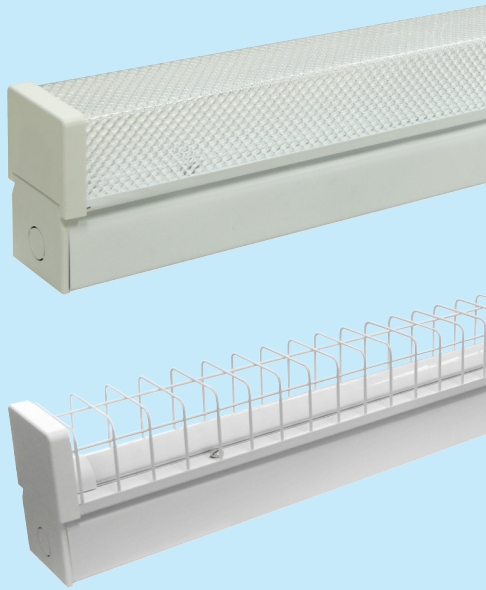
UPSHINE®



Technical Application  
Guide for UP-SHINE  
LED T8 Batten

UP-AL06-25W-A

# Introduction



T8 Batten series suitable for ceilings, walls or pendant mounting. PS prismatic diffuser for visual comfort. Cover plate held securely by threaded nut for fast installation. High quality white epoxy powder coated finish. Large terminal block for ease in installation. New plastic snap-on end caps for easy installation of diffuser.

- Up to 70% energy saving compared to standard CFL
- Long lifetime of 40,000 hours
- 120° wide beam angle
- CCT: 3000K 4000K  
5000K 5700K
- No UV/IR light
- Environment friendly, without Mercury or any other hazardous substances

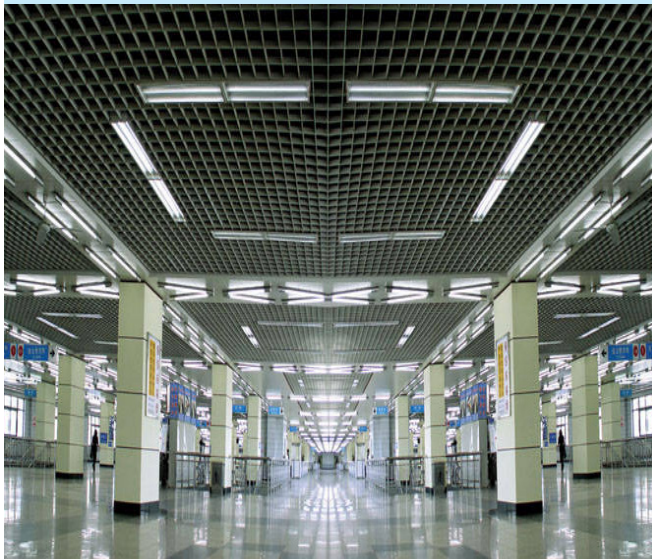
## Application notes

- IP20 for indoor use only
- Professional electrician for installation only
- Switch off before installation
- Do not touch when in use
- Keep away from hot steam and corrosive gas

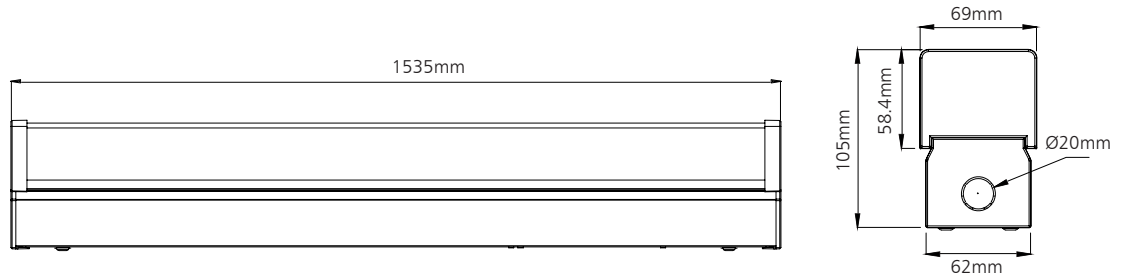
## Application Areas

All commercial, industrial and domestic applications.

## Certificate



# Product Information



## Technical Specifications

Model	Voltage	Power	Power Factor	Lumen (±5%)	Beam angle	CCT	Lifespan	CRI	Dimmable	Dimension
UP-AL06-25W-A	AC100-277V	25W	≥0.9	2050	120°	3000K	40000h	≥80	No	1535*69*105mm
UP-AL06-25W-A	AC100-277V	25W	≥0.9	2100	120°	4000K	40000h	≥80	No	1535*69*105mm
UP-AL06-25W-A	AC100-277V	25W	≥0.9	2120	120°	5000K	40000h	≥80	No	1535*69*105mm
UP-AL06-25W-A	AC100-277V	25W	≥0.9	2100	120°	5700K	40000h	≥80	No	1535*69*105mm

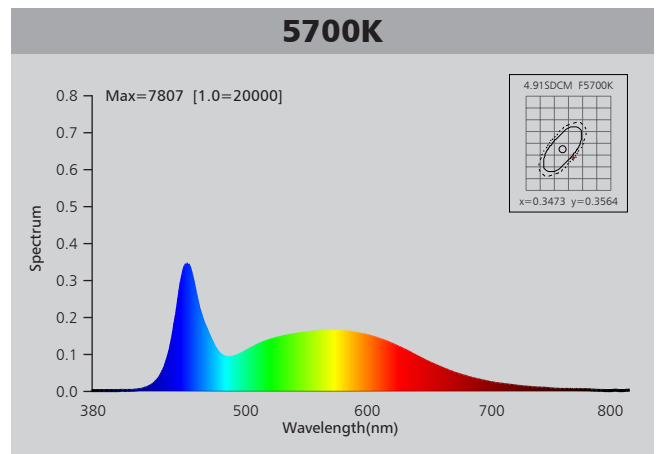
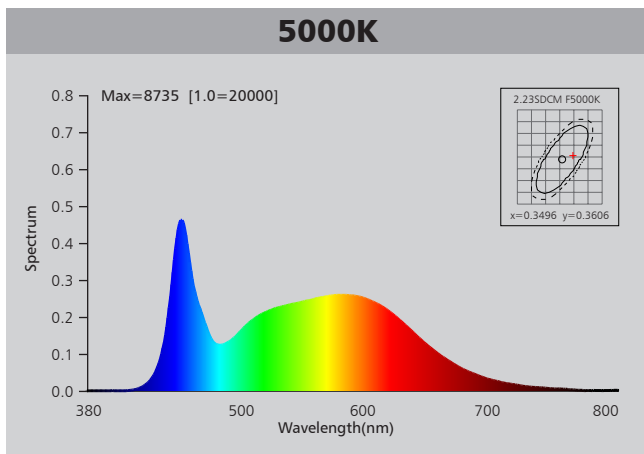
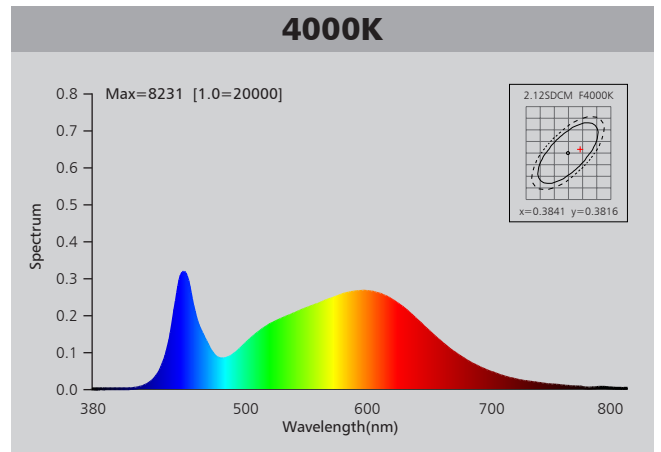
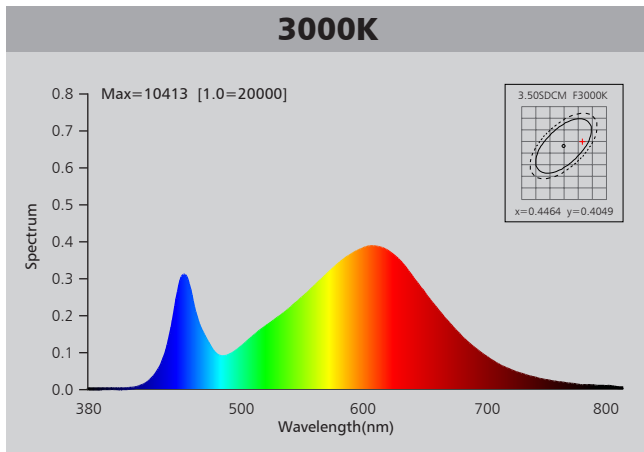
## Driver data Sheet

Driver data	Non-dim
Input rated Voltage	AC100-277V
Frequency	50/60Hz
Input Voltage	AC90-305V
Efficiency	≥88%
Total load Wattage	25W±1W
Power Factor	≥0.9
Rated input current	≤0.28A
Full load output Voltage	DC60-75V
Rated output current	320mA
Output current range	320mA±5%
Power tolerance	±5%
Current output tolerance	±5%
Short circuit protection	PASS
Over voltage protection	PASS
Over temperature protection	PASS
Withstand voltage	AC1500V

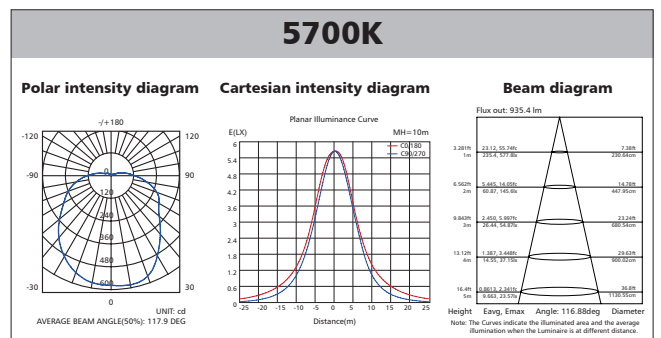
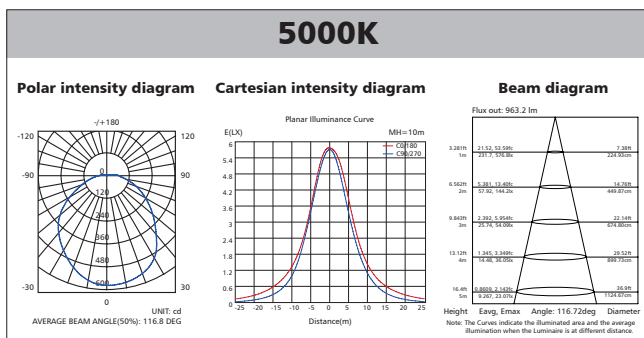
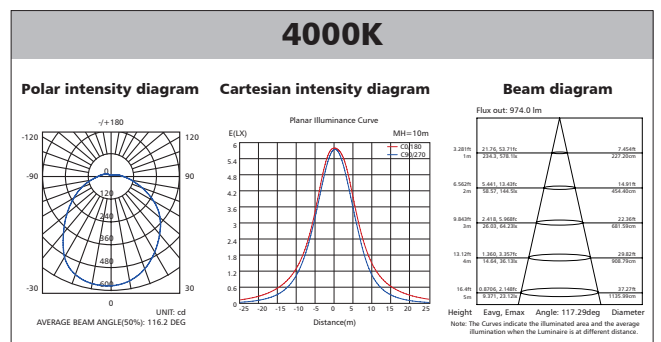
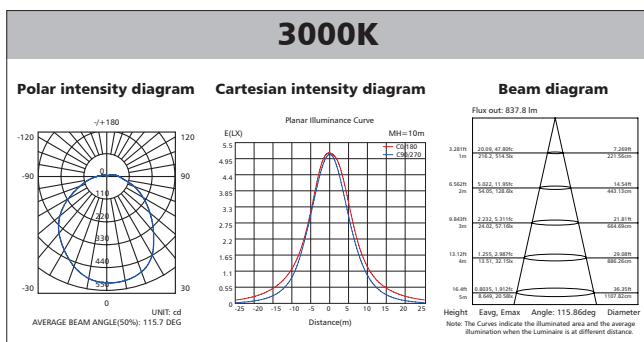
## Fixture Compatibility

Rated Wattage	Electrical Classification	Ingress Protection	Operating Temp	Operating Humidity	Storage Temp
25W	I	IP20	-20°C~45°C	0~90%	-20°C~65°C

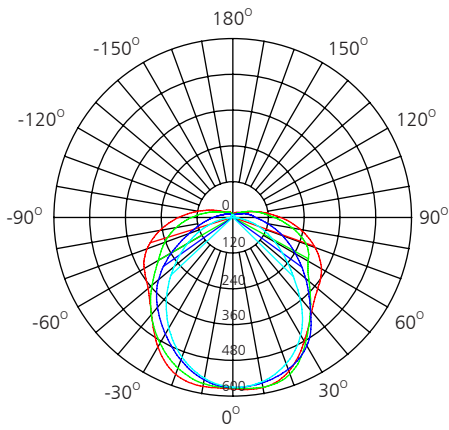
# Spectral Distribution



# Photometric Diagram



# Polar Diagram Comparison



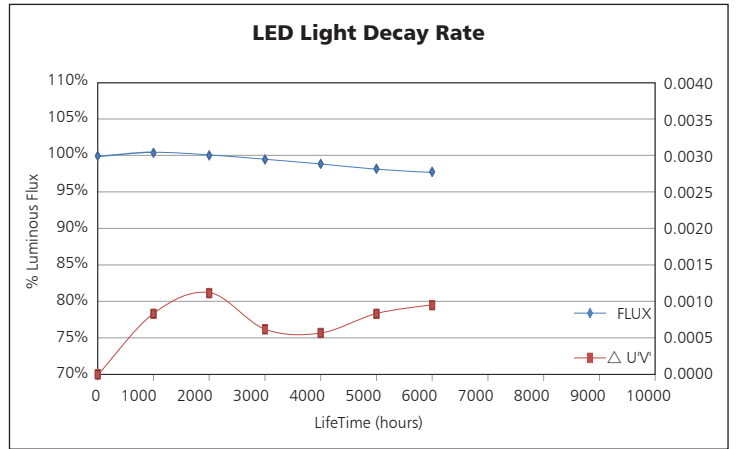
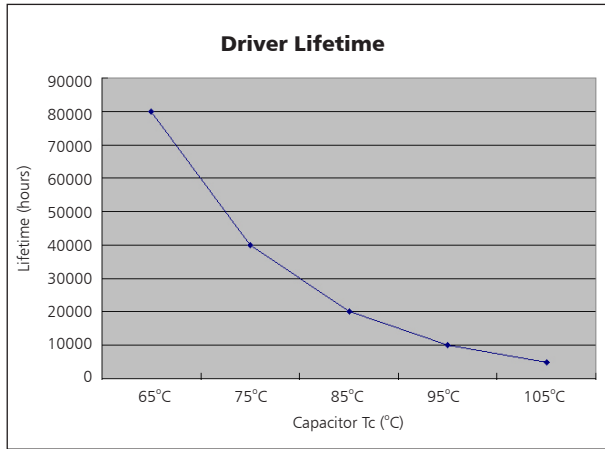
UNIT: cd

- C0/180, 113.6 deg
- C30/210, 121.5 deg
- C60/240, 109.2 deg
- C90/270, 112.7 deg



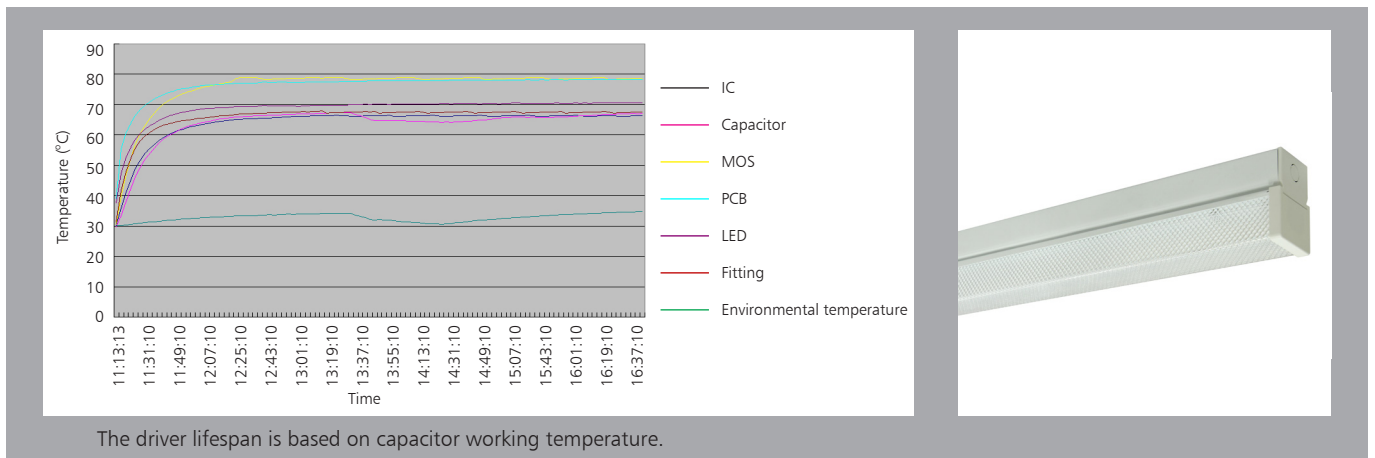
AVERAGE BEAM ANGLE (50%): 116.8DEG

# Driver lifetime & LED light decay rate



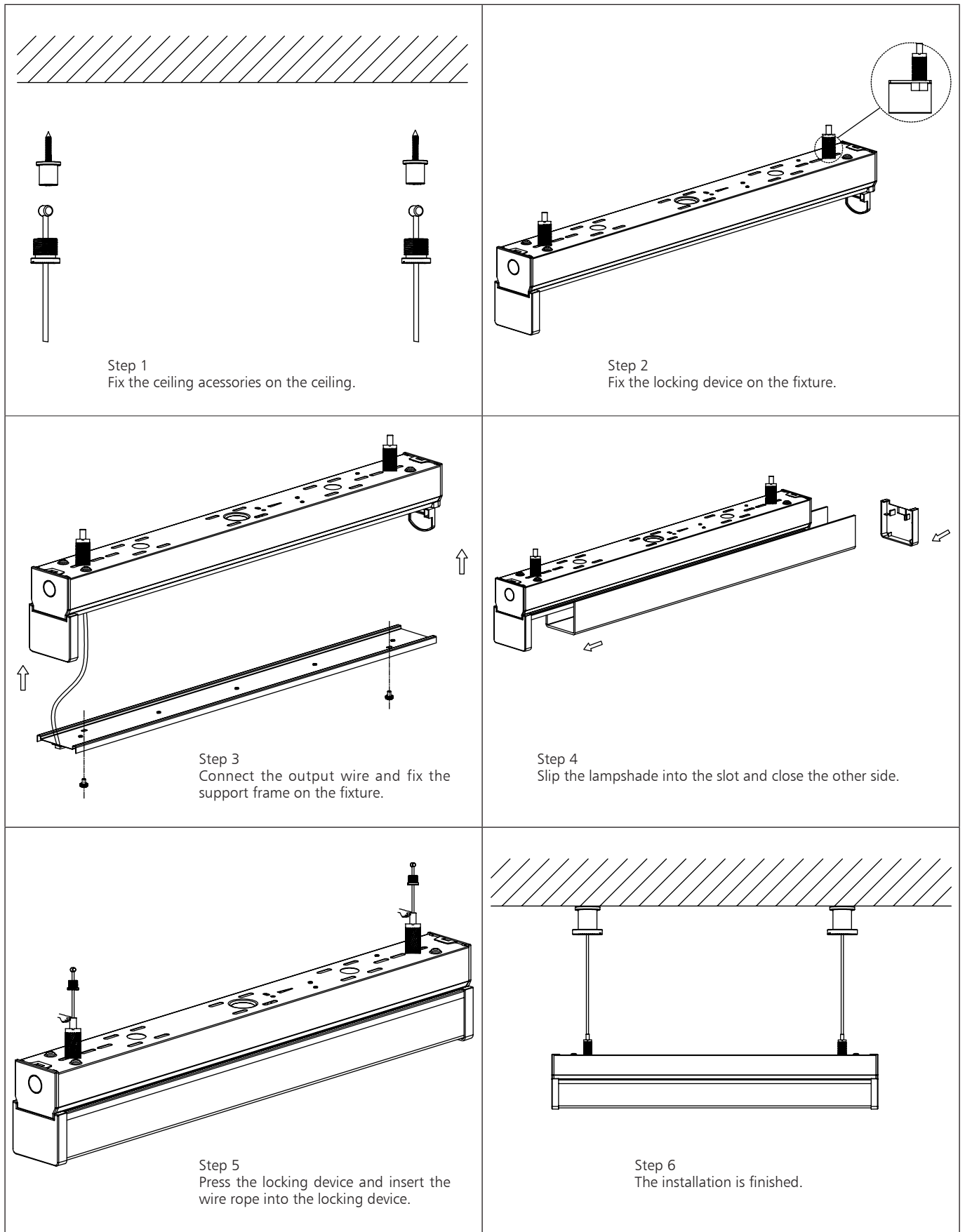
# Temperature

- The testing is operated at 25°C
- The lifetime of capacitor, minimum of 5,000 hours if operated at 105°C, will be doubled whenever the temperature drops 10°C
- The highest withstand temperature of IC, MOS could be 120°C
- The highest withstand temperature of LED junction temperature is 150°C



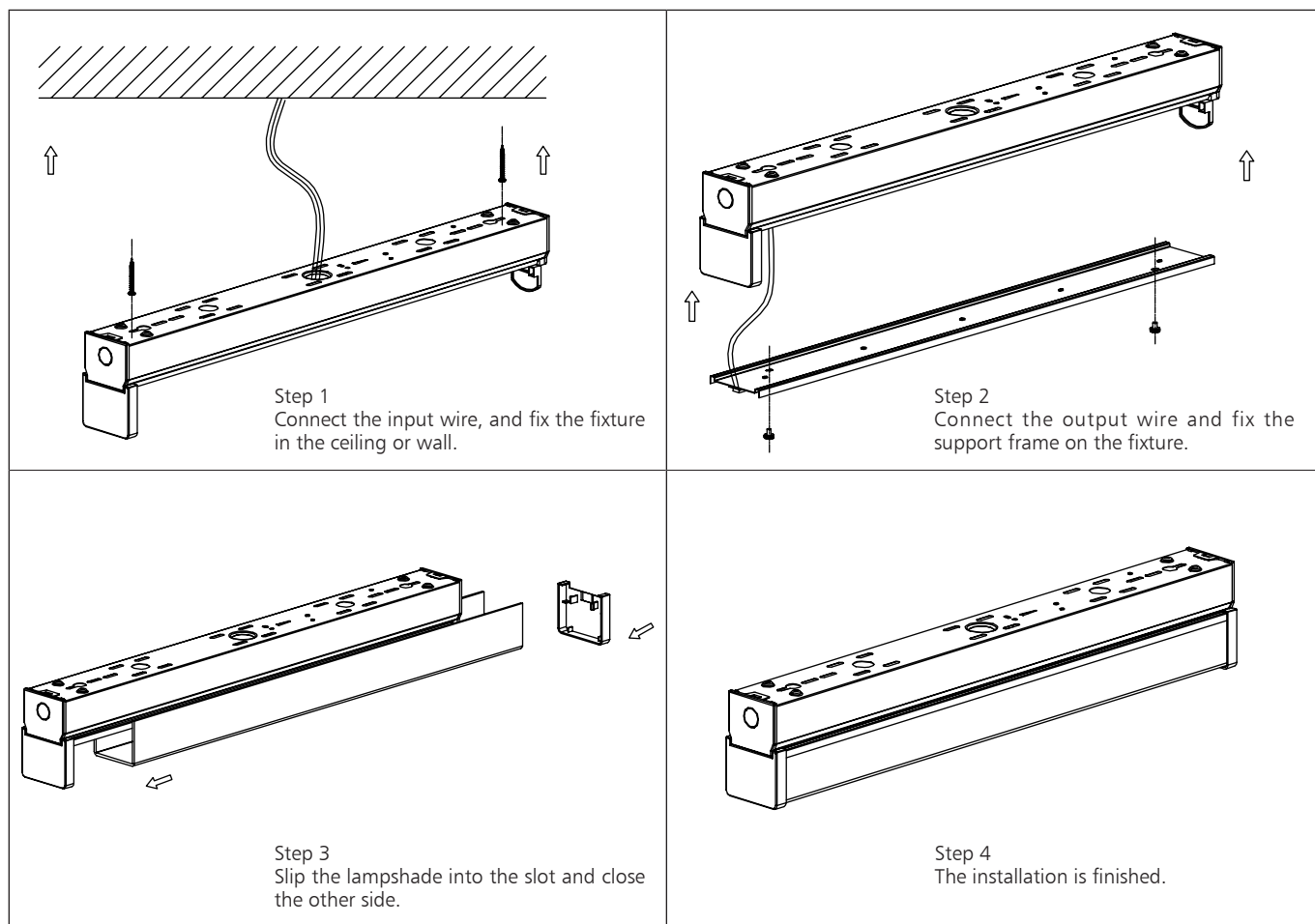
The driver lifespan is based on capacitor working temperature.

# Installation





## Installation



## Packaging Information

	SIZE(CM)	N.W/pc (KGS)	G.W.(KGS)	Q'TY(PCS)
Carton	156*25*26	3	19	6

	CTNS	Q'TY(PCS)	VOLUME(CBM)
20" standard container	255	1530	28
40" standard container	510	3060	56

