



# LED Batten Light

## DB68

# Introduction



◀ DB68 is a high quality LED batten with high luminous efficacy 115lm/w. With a reliable and robust housing structure (IK10 & IP66), this maximizes the endurance and contributes to its long lifetime. With its flexible installation accessories, it can be used in a wide variety of applications. Three size in length (700mm 1300mm 1600mm), and various lumens package, let it to be ideal replacement for traditional fluorescent batten.

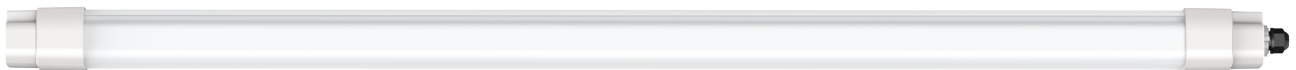
## Features

1. LED batten light IP66, compact design and suitable for both indoor and outdoor applications.
2. Elegant outlook with rearwards-directed light to illuminate the ceiling.
3. Impact protection: IK10
4. LED service life: approx. 50,000 hours.
5. End caps: made of shockproof polycarbonate (PC).
6. Extruded PC opal diffuser with inner prisms and UV resistant, providing homogenous light distribution.
7. Flexible installation through sliding mounting bracket. Ideal for luminaire replacement.
8. Providing through-wiring for further luminaires (safety class II) connection.
9. Tool free mains cable installation on both sides through twist lock fastener cover at both sides.

## Application Areas

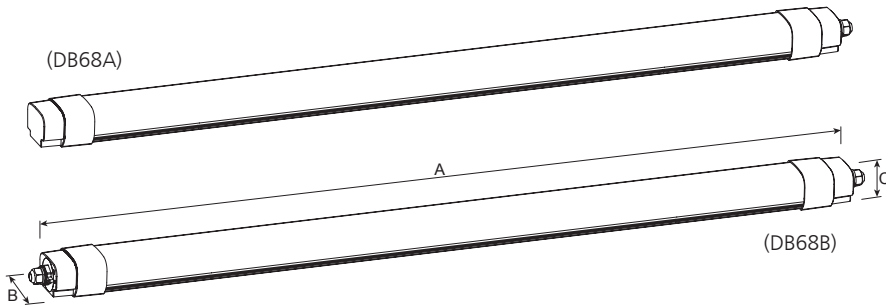
Car parks, warehouses, workshops, underground areas.

### Type A: Non-Linkable



### Type B: Linkable





## Measurement

| Model | Dimension(mm) |      |      | Size(mm)       | Product Weight (Kg) |        | Package weight (Kg) |         | Carton Size(cm) | Qty/CTN | 20GP (pcs) | 40HQ (pcs) |
|-------|---------------|------|------|----------------|---------------------|--------|---------------------|---------|-----------------|---------|------------|------------|
|       | A             | B    | C    |                | N.W/PC              | G.W/PC | N.W/CTN             | G.W/CTN |                 |         |            |            |
| 700   | 700           | 78.3 | 58.6 | 700*78.3*58.6  | 0.5                 | 0.6    | 6                   | 9.5     | 90*29*28        | 12      | 4416       | 9936       |
| 1300  | 1300          | 78.3 | 58.6 | 1300*78.3*58.6 | 0.8                 | 0.95   | 6.4                 | 10      | 150*29*19       | 8       | 2496       | 6048       |
| 1600  | 1600          | 78.3 | 58.6 | 1600*78.3*58.6 | 0.95                | 1.2    | 5.7                 | 9       | 180*21.5*19     | 6       | 2376       | 5544       |

## Technical Data Sheet

| Model No.                | DB68A-700-20W                  |         | DB68B-700-20W |  | DB68A-1300-40W |  | DB68B-1300-40W |  | DB68A-1600-50W |  | DB68B-1600-50W |  |
|--------------------------|--------------------------------|---------|---------------|--|----------------|--|----------------|--|----------------|--|----------------|--|
| Watt(W)                  | 20W                            |         |               |  | 40W            |  |                |  | 50W            |  |                |  |
| Dimension(mm)            | 700*78.3*58.6                  |         |               |  | 1300*78.3*58.6 |  |                |  | 1600*78.3*58.6 |  |                |  |
| Rated Input Voltage(V)   | AC230V                         |         |               |  |                |  |                |  |                |  |                |  |
| Input Voltage(V)         | AC200-240V                     |         |               |  |                |  |                |  |                |  |                |  |
| LED                      | SMD                            |         |               |  |                |  |                |  |                |  |                |  |
| SDCM                     | <6                             |         |               |  |                |  |                |  |                |  |                |  |
| CCT(K)                   | 1-CCT: 3000K/4000K/5000K/5700K |         |               |  |                |  |                |  |                |  |                |  |
| "Luminous Flux (lm) ±5%" | 1-CCT                          | Non-DIM | 2100~2300     |  |                |  | 4320~4680      |  |                |  | 5650~6000      |  |
|                          |                                | DIM     | -             |  |                |  | -              |  |                |  | -              |  |
| CRI                      | 80                             |         |               |  |                |  |                |  |                |  |                |  |
| Beam Angle (°)           | 140°                           |         |               |  |                |  |                |  |                |  |                |  |
| LED Driver               | Built-in                       |         |               |  |                |  |                |  |                |  |                |  |
| DIM                      | No                             |         |               |  |                |  |                |  |                |  |                |  |
| Protection Class         | Class II                       |         |               |  |                |  |                |  |                |  |                |  |
| IP Rating                | IP66                           |         |               |  |                |  |                |  |                |  |                |  |
| IK Rating                | IK10                           |         |               |  |                |  |                |  |                |  |                |  |
| Finishing color          | White RAL 7047                 |         |               |  |                |  |                |  |                |  |                |  |
| Material                 | PC                             |         |               |  |                |  |                |  |                |  |                |  |
| Lifetime (hr)            | 50,000h                        |         |               |  |                |  |                |  |                |  |                |  |
| Glow wire test (°C)      | 750°C                          |         |               |  |                |  |                |  |                |  |                |  |
| Operating Temp.(°C)      | -20°C ~45°C                    |         |               |  |                |  |                |  |                |  |                |  |
| Storage Temp.(°C)        | -20°C ~60°C                    |         |               |  |                |  |                |  |                |  |                |  |
| Installation             | Surface mount / Pendant        |         |               |  |                |  |                |  |                |  |                |  |
| Brand Driver option      | -                              |         |               |  |                |  |                |  |                |  |                |  |

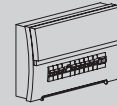
# Driver Datasheet (Non-dimmable)

| Power                       | 20W                   | 40W                 | 50W         |
|-----------------------------|-----------------------|---------------------|-------------|
| Rated Input Voltage(V)      | AC230V                |                     |             |
| Frequency                   | 50/60Hz               |                     |             |
| Input Voltage               | AC200-240V            |                     |             |
| Efficiency                  | 89%                   | 91%                 | 92%         |
| Total load wattage          | 20W±5%                | 40W±5%              | 50W±5%      |
| Power Factor                | 0.9                   | 0.9                 | 0.9         |
| Rated Input Current         | ≤0.1A                 | ≤0.2A               | ≤0.29A      |
| Full load output voltage    | DC60-85V              | DC60-85V            | DC60-85V    |
| Rated output current        | 310mA                 | 440mA               | 540mA       |
| Output current range        | 310mA±5%              | 440mA±5%            | 540mA±5%    |
| Power tolerance             | 5%                    |                     |             |
| Current output tolerance    | 5%                    |                     |             |
| Short circuit protection    | PASS                  |                     |             |
| Over voltage protection     | PASS                  |                     |             |
| Over temperature protection | PASS                  |                     |             |
| THD                         | -                     | <20% @ 230V         | <20% @ 230V |
| Surge                       | L-N 0.5KV / LN-PE 1KV | L-N 1KV / LN-PE 2KV |             |
| Withstand voltage           | AC1500V               |                     |             |

## Installation Procedure

### WARNING

1. Switch off before installation / maintenance.
2. Switch on only after complete installation and examination of the circuit.
3. Professional electrician for installation and maintenance only.

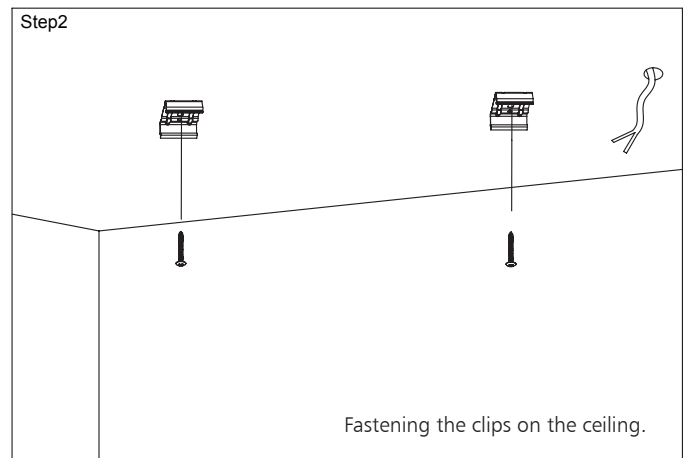
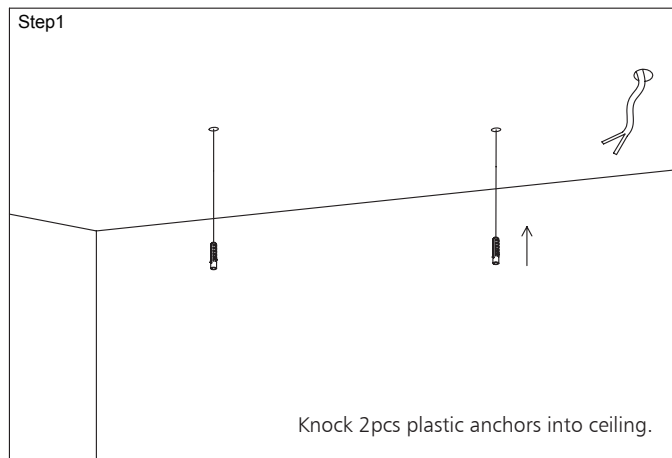


Turn Off power supply before starting any installation. Read instructions & check you have all the tools & accessories to complete the installation correctly.

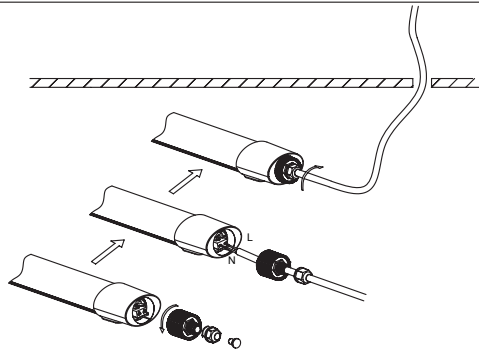
### How to install

| ART-NR            | Linkable luminaries Qty |
|-------------------|-------------------------|
|                   | 200-240V                |
| UP-DB68B-700-20W  | 52                      |
| UP-DB68B-1300-40W | 26                      |
| UP-DB68B-1600-50W | 21                      |

### Installation 1



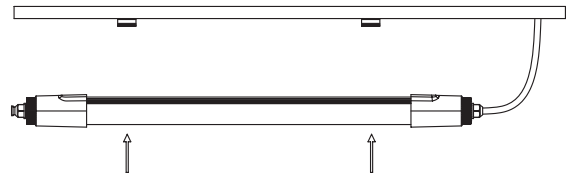
Step3



L = BROWN  
N = BLUE

Open the end cap, put the wires through the hole, connect the terminal block (Brown to L, Blue to N), tighten the end cap to prevent the water into the lamp.

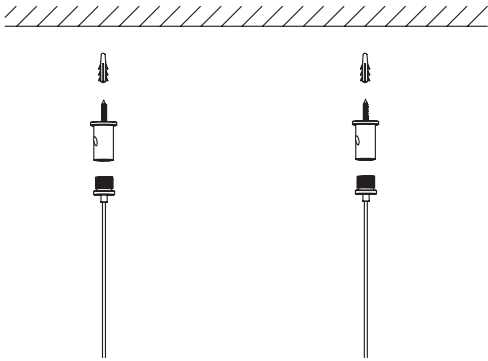
Step4



Put the LED batten back until it is stuck by clips.

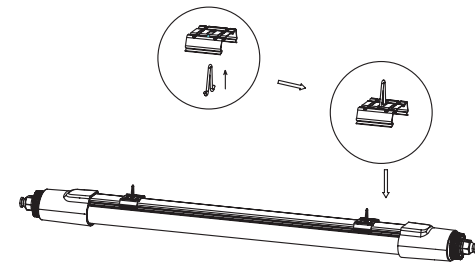
## Installation 2

Step1



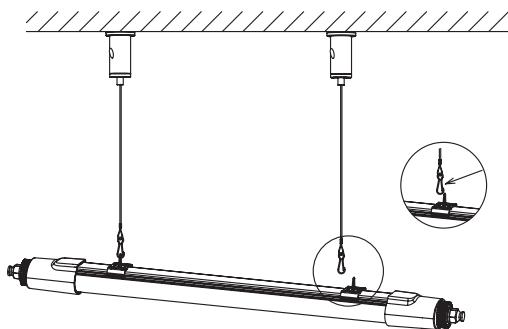
Knock 2pcs plastic anchors into ceiling, fix the wire regulating device on ceiling.

Step2



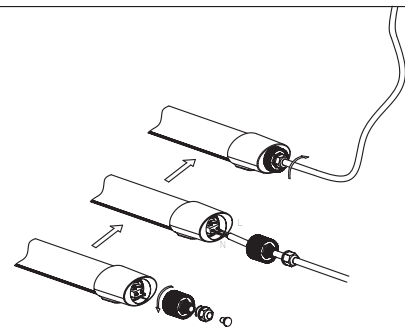
Put the hook through metal plate, embed the metal plate in the slot of the lamp body.

Step3



Hanging the lamp to the suspending wires.

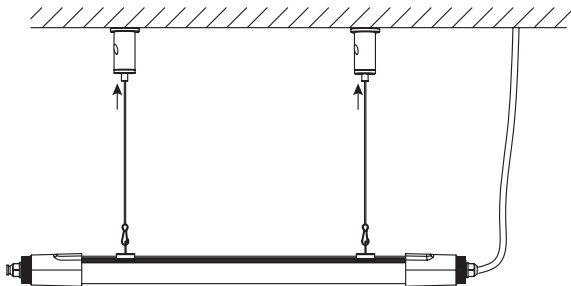
Step4



L = BROWN  
N = BLUE

Open the end cap, put the wires through the hole, connect the terminal block (Brown to L, Blue to N), tighten the end cap to prevent the water into the lamp.

Step5



Adjust the length of suspending wires on same level, turn on the light.