

Modern Studio Lighting Case

www.upshine.com

CONTENT

01

Case Show

02

Product Introduced

03

Installation Notes



Case Show

1

Modern Studio Lighting In AU



LOREM IPSUM DOLOR

This Studio lighting design adopts a combination of recessed downlights and track lights to a relaxing and comfortable environment for their guests.



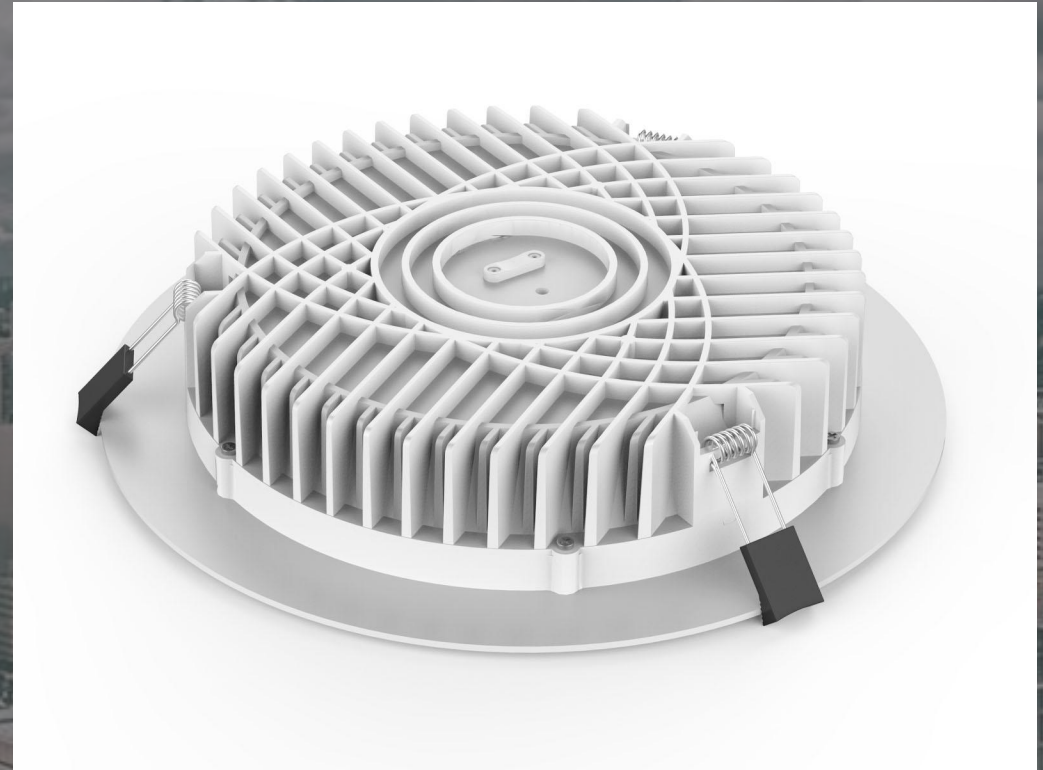
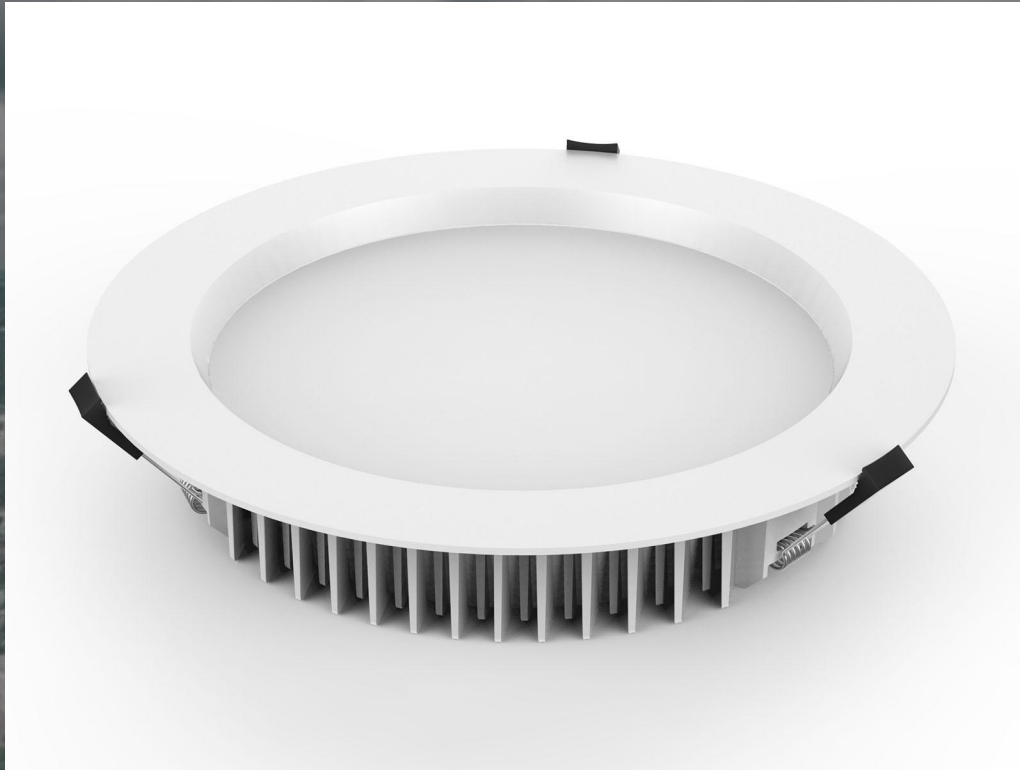


Product Introduced

2

Product Introduced

CL59 LED Downlight



Product Introduced

CL59 LED Downlight



- Up to 70% energy saving compared to
- standard CFL
- Long lifetime of 40,000 hours
- Triac dim, 0-10V dim
- 90° wide beam angle
- 60-70mm cutout
- CCT: 3000K 4000K
- 5000K 5700K
- No UV/IR light
- Environment friendly, without Mercury or any
- other hazardous substances

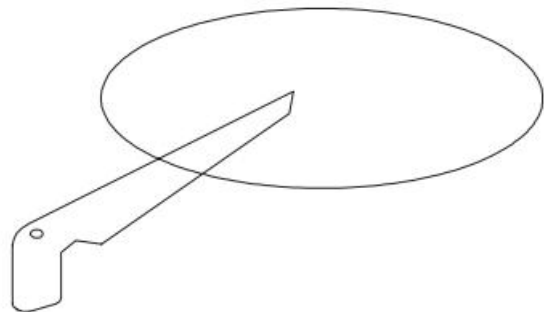


Installation Notes

3

Installation Notes

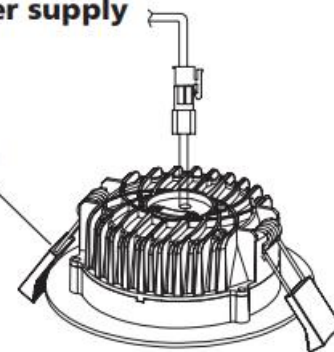
Ceiling Opening $\text{\O}60\text{-}70\text{mm}$



1

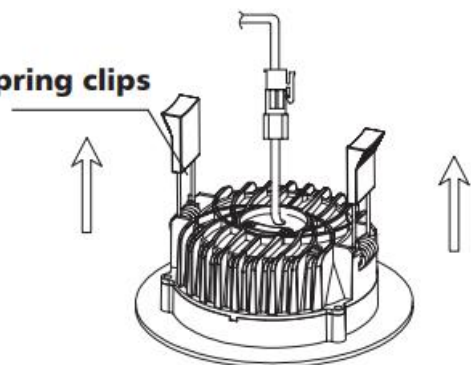
Connect Power supply

Spring Clips



2

A. Hold back spring clips

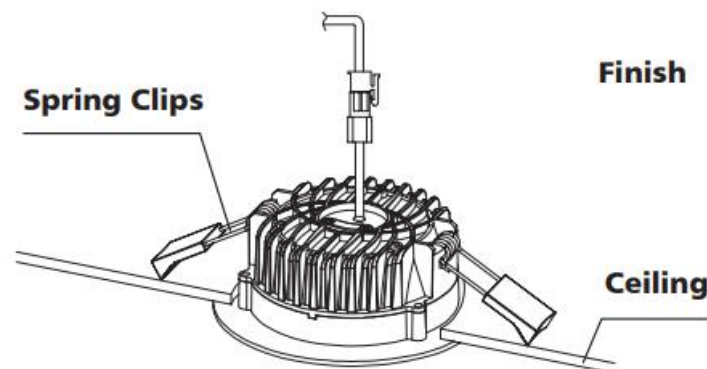


B. Push downlight into position

3

Spring Clips

Finish



4

An aerial photograph of a city skyline, featuring numerous skyscrapers and buildings. The image is overlaid with a semi-transparent blue speech bubble shape in the center. Inside the bubble, the words "THANK YOU" are written in a bold, white, sans-serif font.

THANK YOU