



# Restaurant Lighting Case Study

[www.upshine.com](http://www.upshine.com)

# CONTENTS

1 Case Show

2 Product Introduced

3 Installation Information

# Case Show

## Restaurant lighting

Restaurant lighting design can improve the value of stores and appeal customers into the store to enjoy a wonderful meal





LED lights are providing excellent heat dissipation, adjustable lighting direction provides all possible lighting effects





## Product Introduce

### UPSHINE RD01 LED Downlight

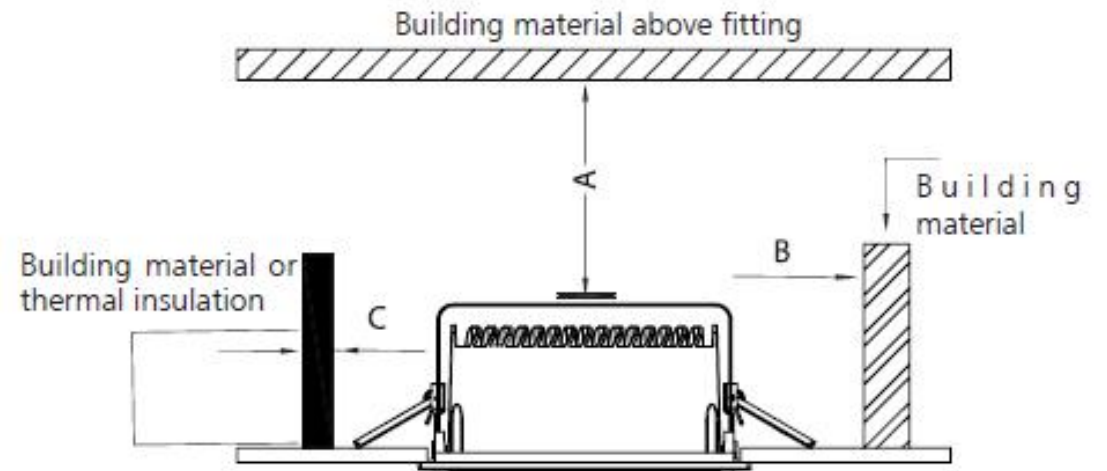
Up-shine rectangular downlight is unique designed with COB high power LED chip

**AL6063 Aluminum profile provides  
excellent thermal dissipation**



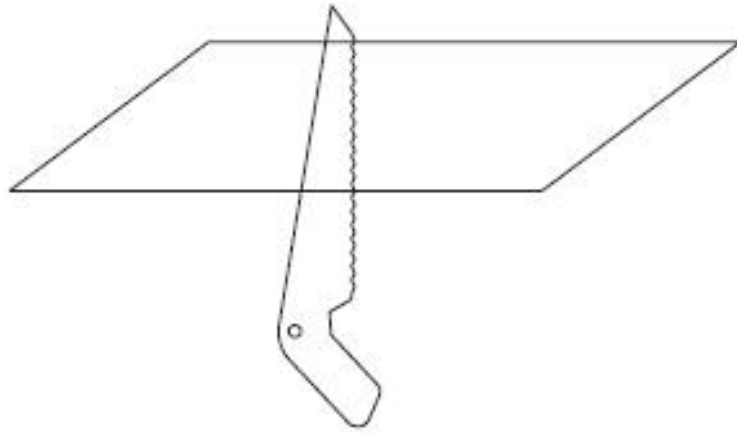
# Installation Information

Install requirements	
A-gap above the fitting	25mm
B-gap to the building material	25mm
C-gap to the thermal insulation	25mm





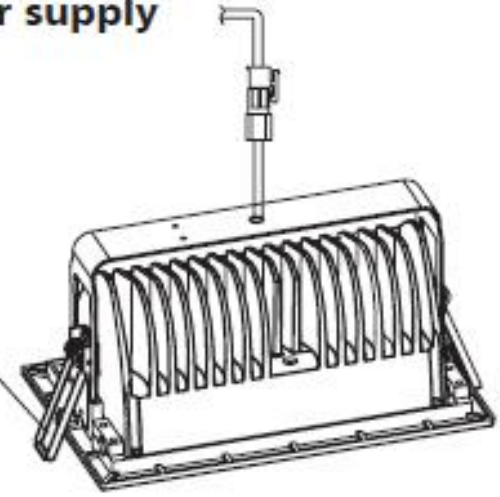
**Ceiling opening L220\*W130mm**



1

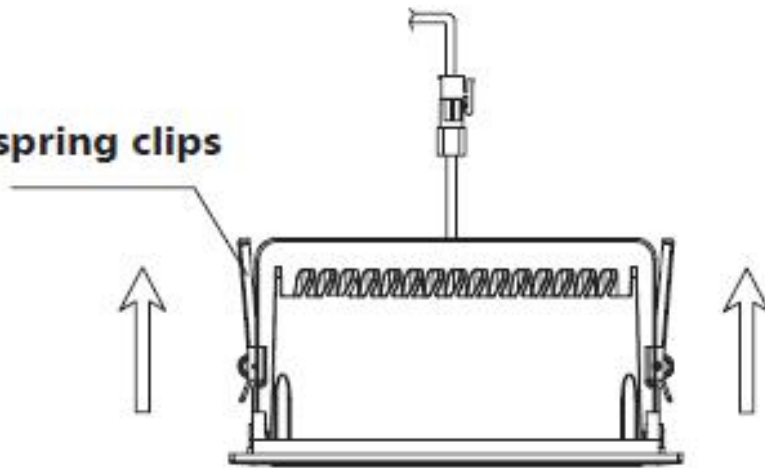
**Connect Power supply**

**Spring Clips**



2

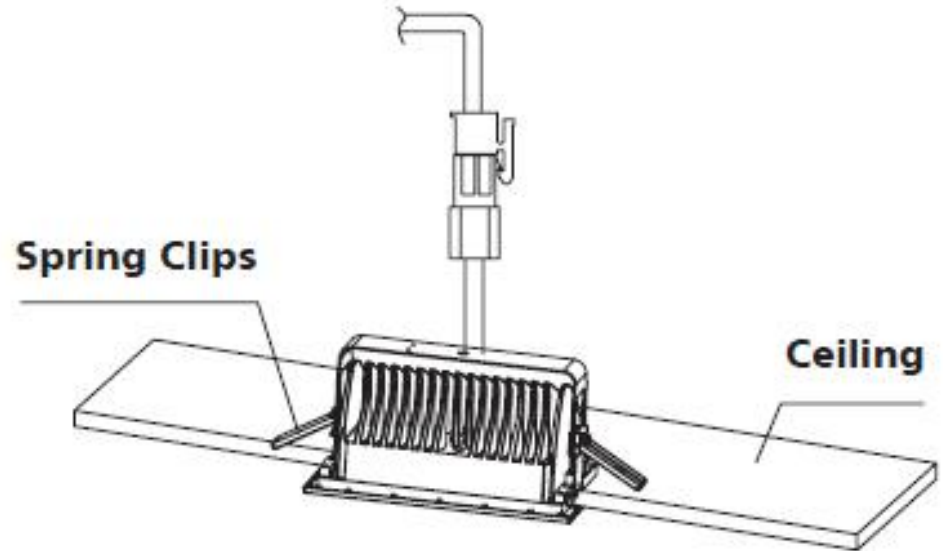
**A. Hold back spring clips**



**B. Push downlight into position**

3

**Spring Clips**



4



**THANK  
YOU**