

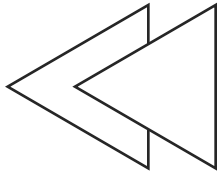


Indoor Parking Lot Lighting Case From Manhattan

www.upshine.com

CONTENTS

- Case Show
- Product Introduced
- Installation Notes



PART ONE

Case Show

Indoor Parking Lot Lighting



PART TWO

Product Introduced

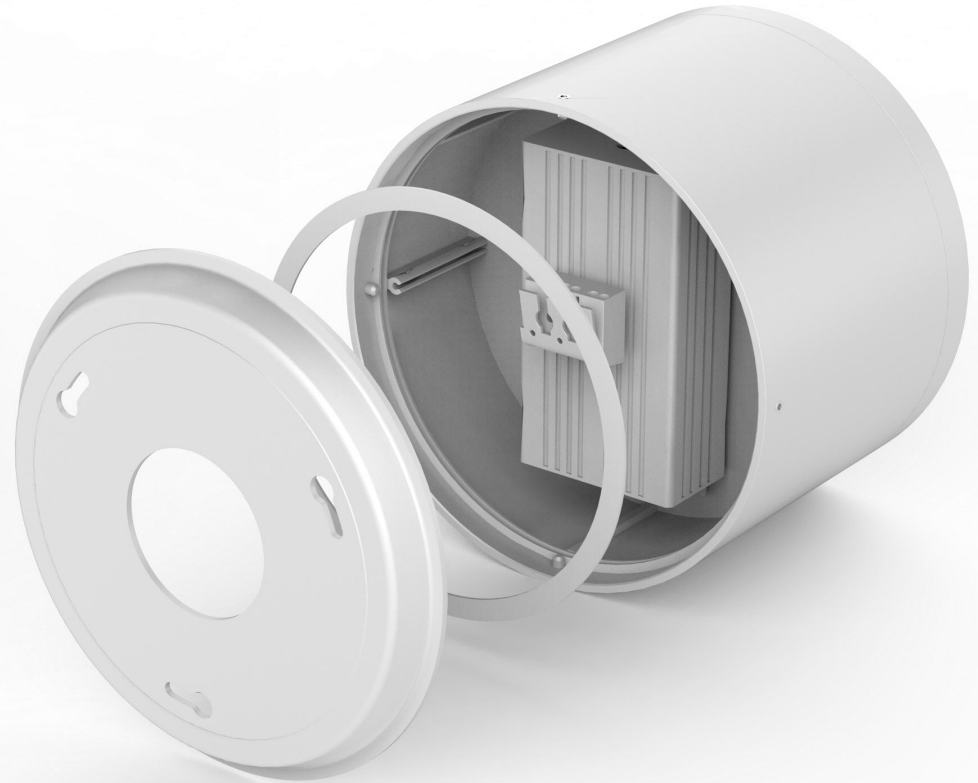


UPSHINE DL38 LED Downlight

DL38 surface mounted downlight adopts straightforward design with stylish appearance, easy to install.

The lamp adopts high quality reflector which has good reflective rate and light output > 86%.

AL6063 Aluminum body with oxidation treatment provides corrosion resistance and excellent heat dissipation performance.

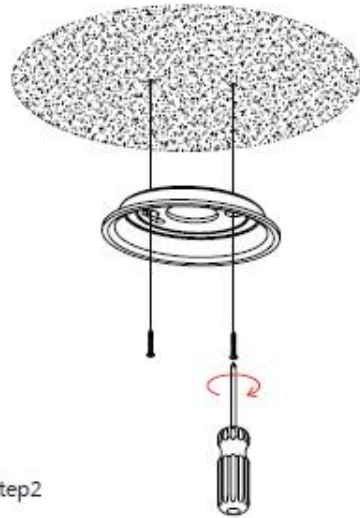


PART Three

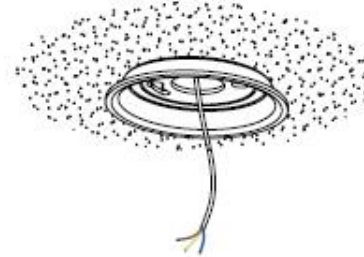
Installation Notes



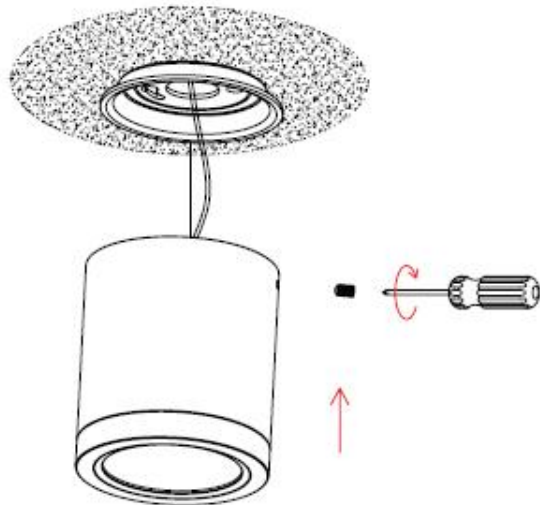
Step1



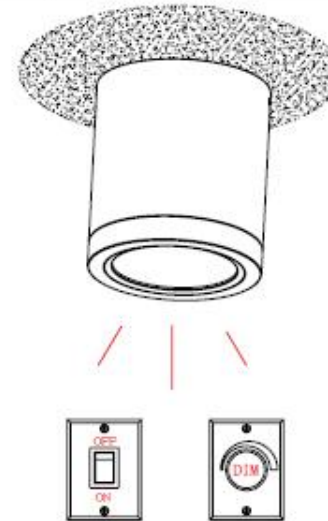
Step2



Step3



Step4



Step5



THANK!

WWW.UPSHINE.COM