



Kitchen LED Lighting Case

www.upshine.com

CONTENTS

- Case Show
- Product Introduced
- Installation Notes



PART ONE

Case Show

High Lumen LED Downlight Fixtures
for Kitchen Room

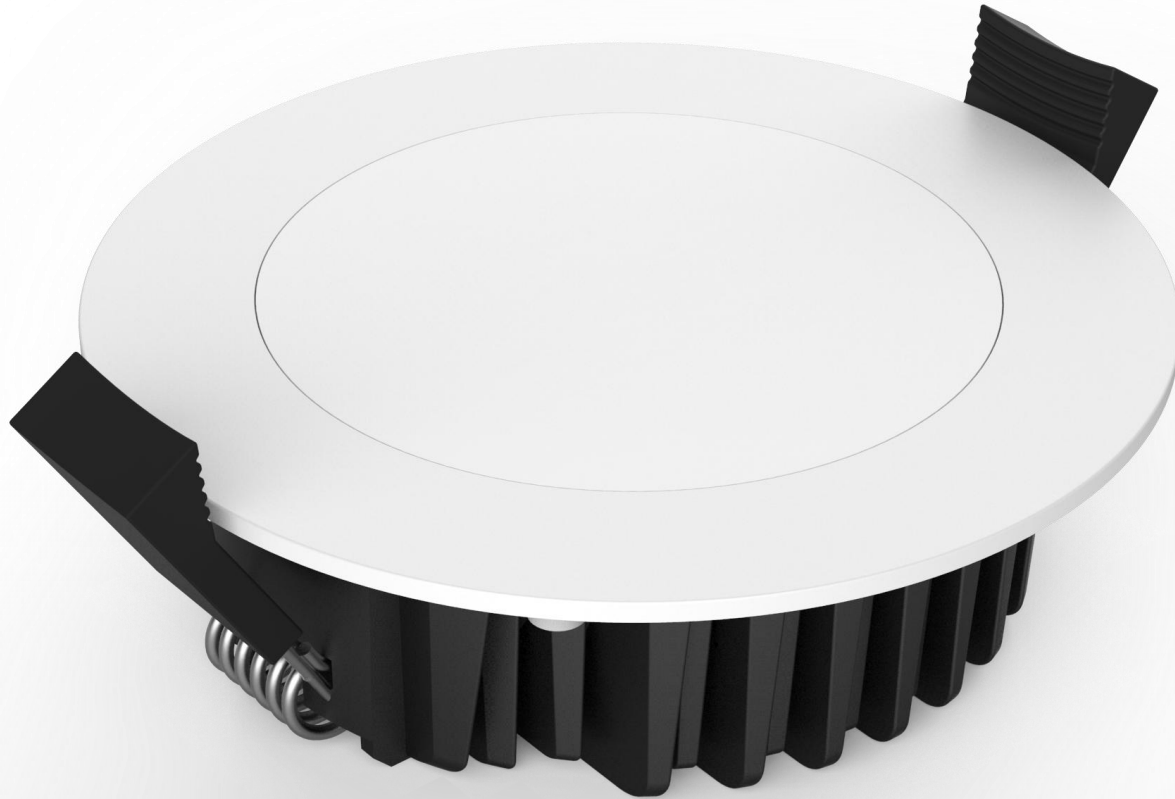






PART TWO

Product Introduced



UPSHINE CL22 LED Downlight

Up-shine SMD LED Down light adopts high lumen SMD LED, PMMA diffuser with even light output.

White, silver, chrome surface treatments are available for wide choice. Triac dimmable, 0-10V dimmable and DALI dimmable version share great popularity by excellent dimming effect.

T6-A LED Tube Light



Up-shine high lumen and practical tube T6 adopts complete PC cover, using 2835SMD LED as light source, CRI > 80.

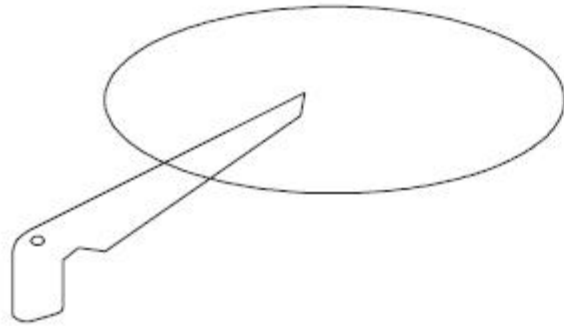
V0 fire-rated full PC cover ensures high light transmittance and safe installation. No yellowing and cracking. With Built-in aluminum heatsink, our T6 tubes achieve high lighting performance and good heat dissipation.

PART Three

Installation Notes

CL22 Downlights Installation

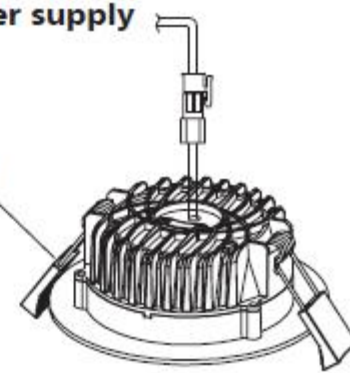
Ceiling Opening $\text{Ø}70\text{-}75\text{mm}$



1

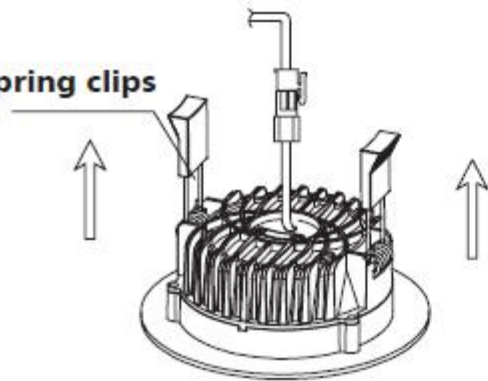
Connect Power supply

Spring Clips



2

A. Hold back spring clips

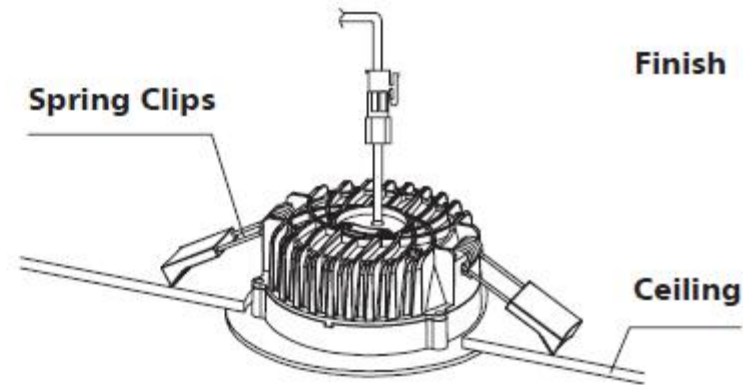


B. Push downlight into position

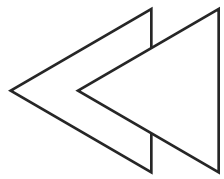
3

Spring Clips

Finish



4

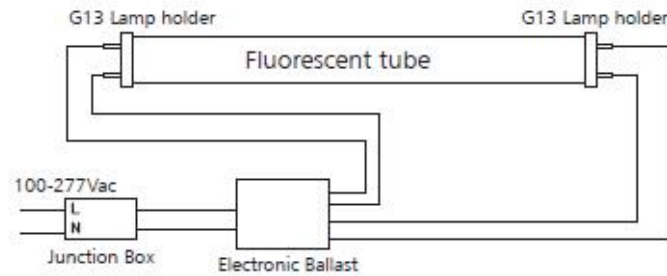


PART Three

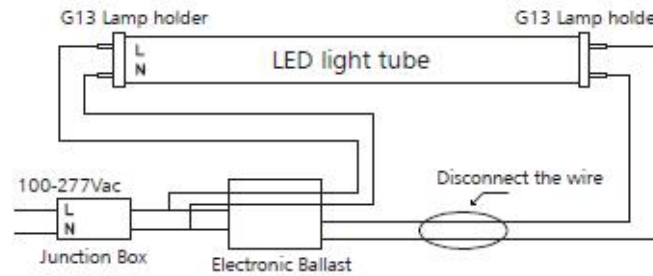
Installation Notes

T6-A LED Tube Light Installation

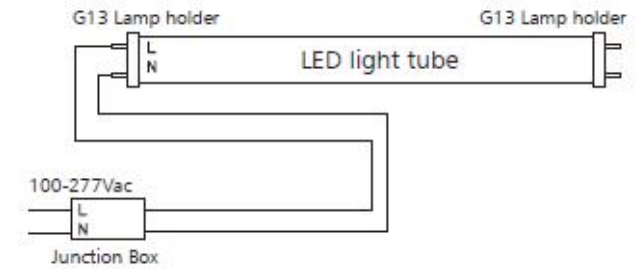
One end power tube, installation with Electronic Ballast



Step 1

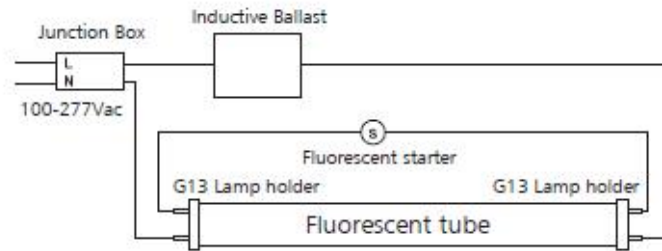


Step 2

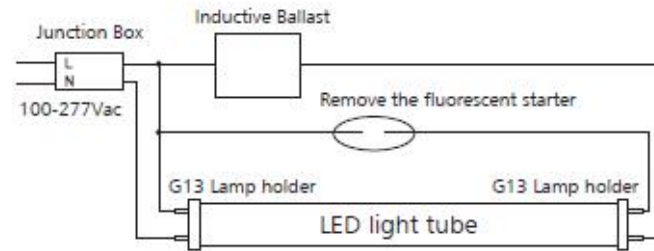


Step 3

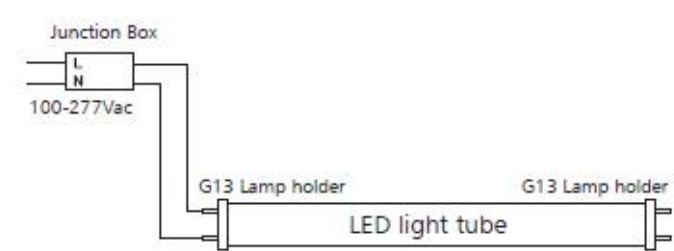
One end power tube, installation with Inductive Ballast



Step 1



Step 2



Step 3



THANK!

WWW.UPSHINE.COM