



Health Medical Lighting Case

www.upshine.com



Content

1

▶ Case Show

2

▶ Product Introduced

3

▶ Installation Notes

1. Case Show

Hospital lighting

LED technology provides near-sunlight quality light for true color rendering and capabilities, That light would be comfortable and relax







2.Product Introduced

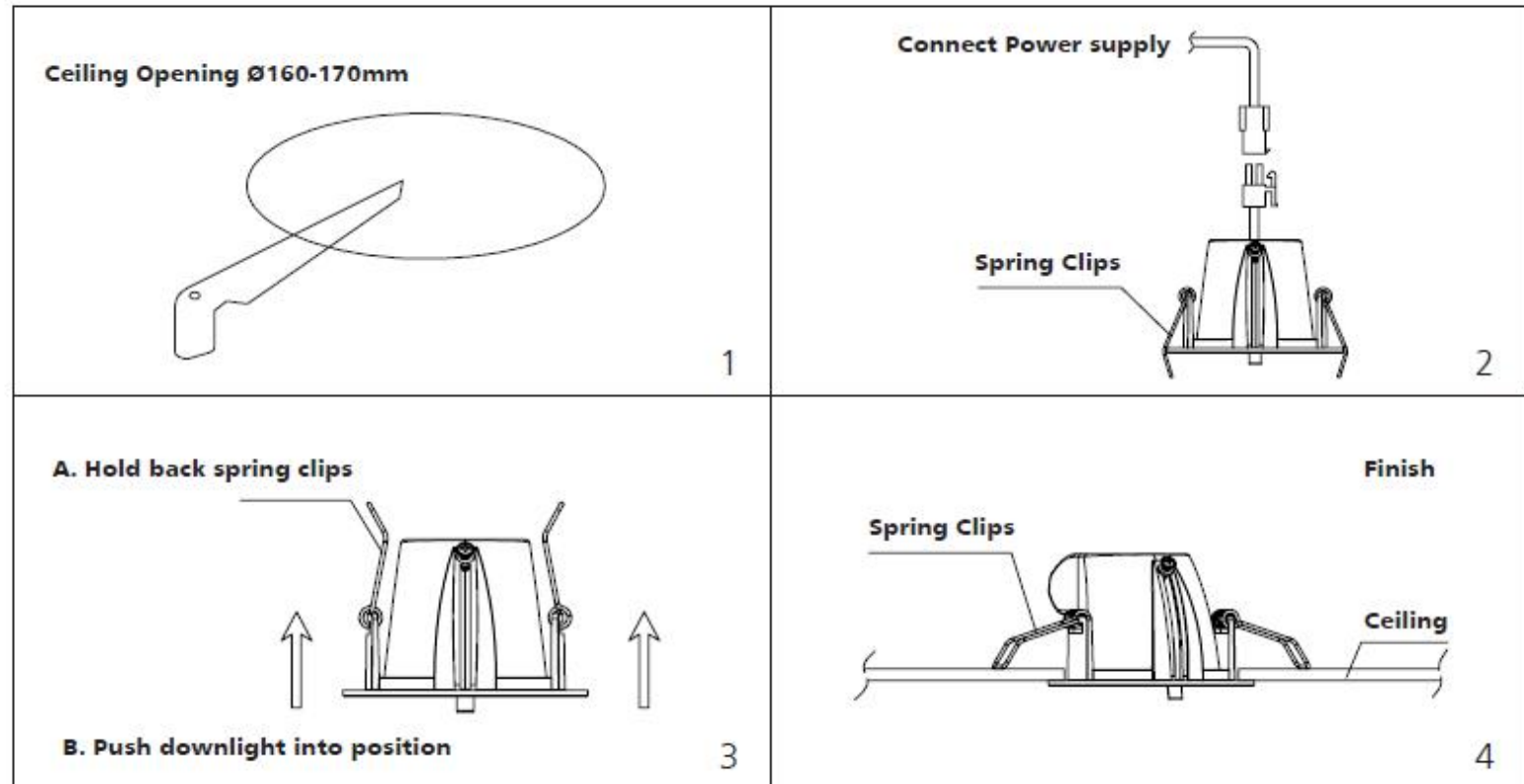
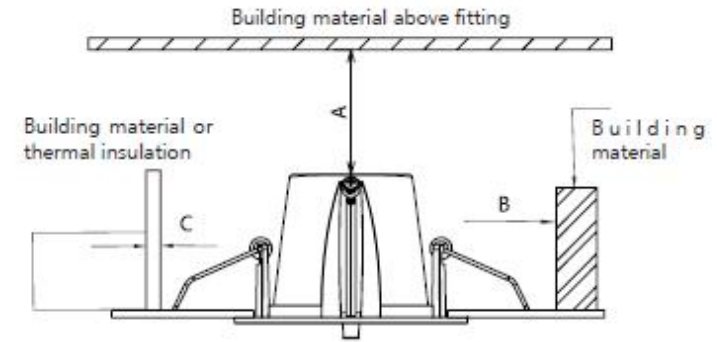
UPSHINE DL31 COB LED Downlight



- Up to 70% energy saving compared to standard CFL
- Long lifetime of 40,000 hours
- Dimmable when using triac dimmer
- 24° /45° /60° wide beam angle

3. Installation Information

Install requirements	
A-gap above the fitting	25mm
B-gap to the building material	25mm
C-gap to the thermal insulation	25mm



Thank you