



UPSHINE Conference Lighting Case Study

www.upshine.com

Contents

01

Case
Show

02

Product
Display

03

Installation
Information

Case Shows

Conference Lighting

High Lumen

SIMPLE DESIGN



UPSHINE LED lighting for conference comes with high high quality and unique technology to provide flexible and innovative lighting environments

Product Display

UPSHINE CL59 Dimmable LED Downlight



WiFi & Remote &
Touch dimming



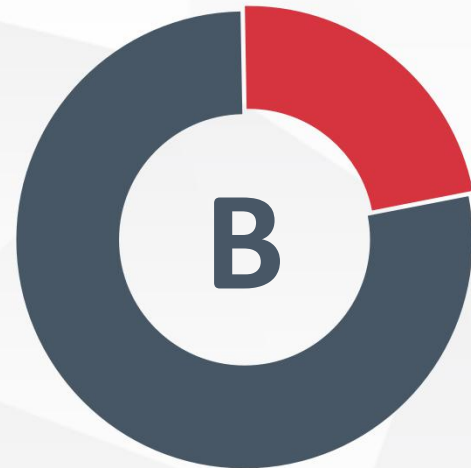
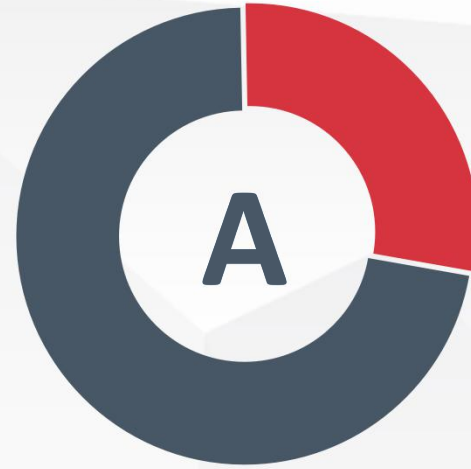
High CRI, restore
true beauty



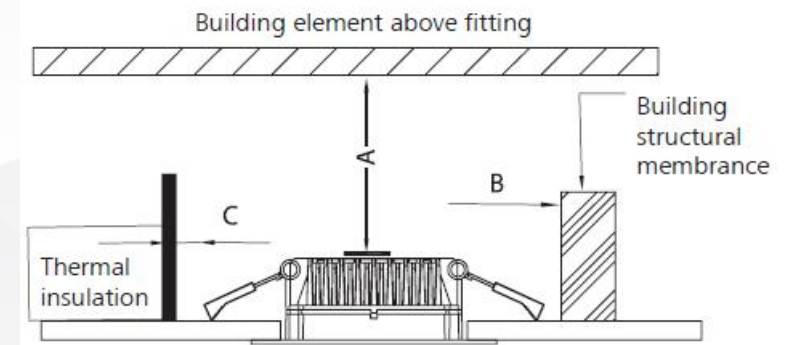
Heat dissipation
structure design
with excellent heat
dissipation effect

Installation Information

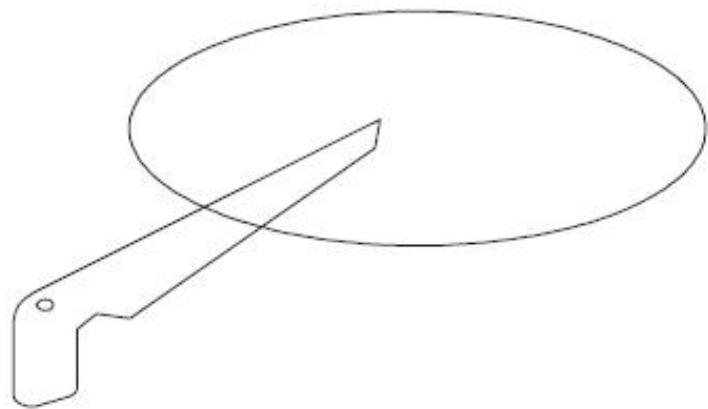
Easy and Safe



Install requirements	
A-gap above the top of the fitting	25mm
B-side gap to the structural membrane	25mm
C-gap between thermal insulation	25mm



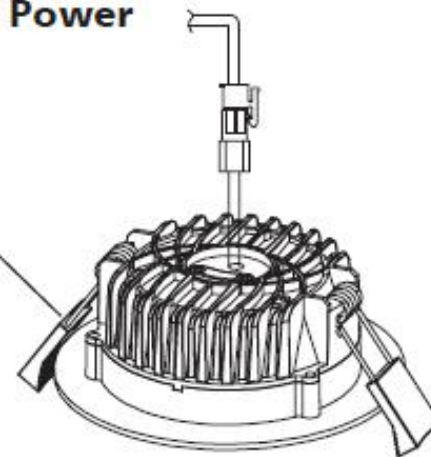
Ceiling opening $\varnothing 230-260\text{mm}$



1

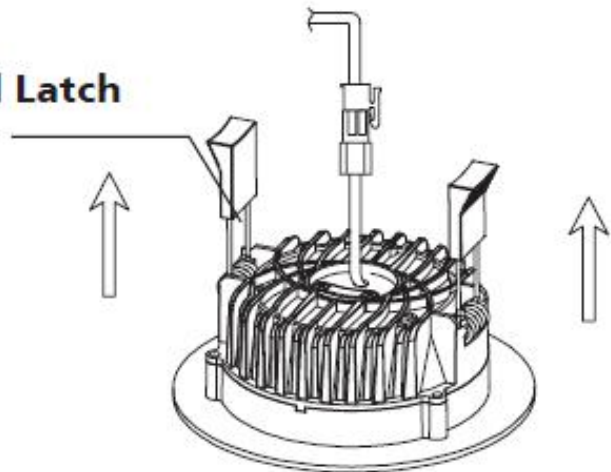
Connection Power

Latch Catch



2

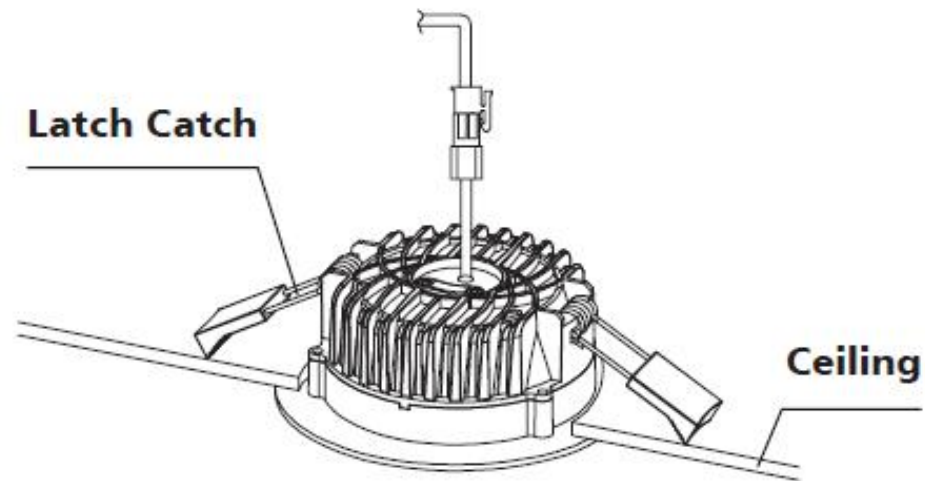
A. Vertical pull Latch



B. Fasten the latch on the ceiling

3

Latch Catch



4

Thanks

