

Bedroom Lighting Case

www.upshine.com



CONTENTS

- Case Show
- Product Introduced
- Installation Notes

PART ONE

Case Show

Anti-glare LED Downlights will
creat a comfortable bedroom
environment







PART TWO

Product Introduced



UPSHINE DL41 LED Downlight

Up-shine SMD LED Down light adopts high lumen SMD LED, PC diffuser with even light output. Plastic coated aluminum housing with internal driver design.

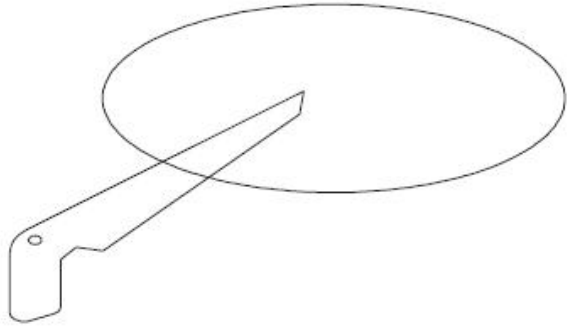
it is our most economical and practical downlight version. Dimmable driver shares great popularity by the excellent dimming effect.



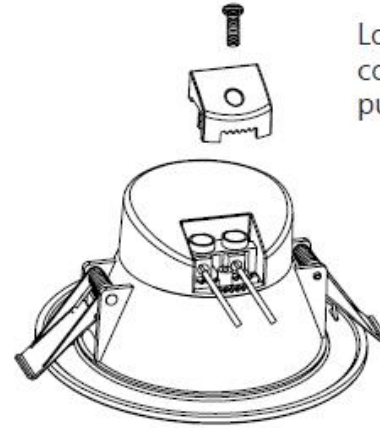
PART Three

Installation Notes

Ceiling Opening



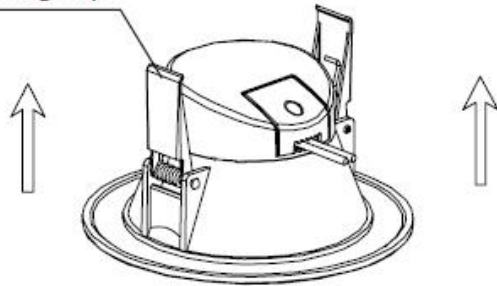
1



Loosen the screw and take off the cover, connect the wire to the wiring terminals, put the cover back and tighten the screw.

2

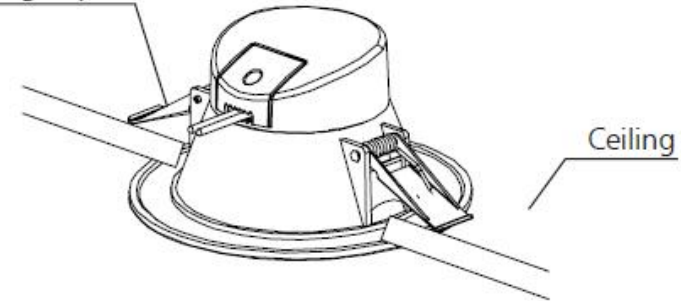
A. Hold back spring clips



B. Push downlight into position

3

Spring Clips



4



THANK!

WWW.UPSHINE.COM