

Retail Store Lighting Case

www.upshine.com



CONTENTS

- Case Show
- Product Introduced
- Installation Notes

PART ONE

Case Show

Children's Clothing Store Track Lighting In France







PART TWO

Product Introduced



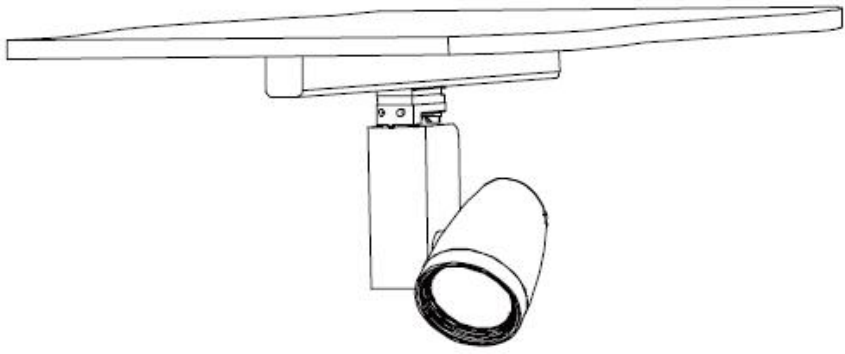
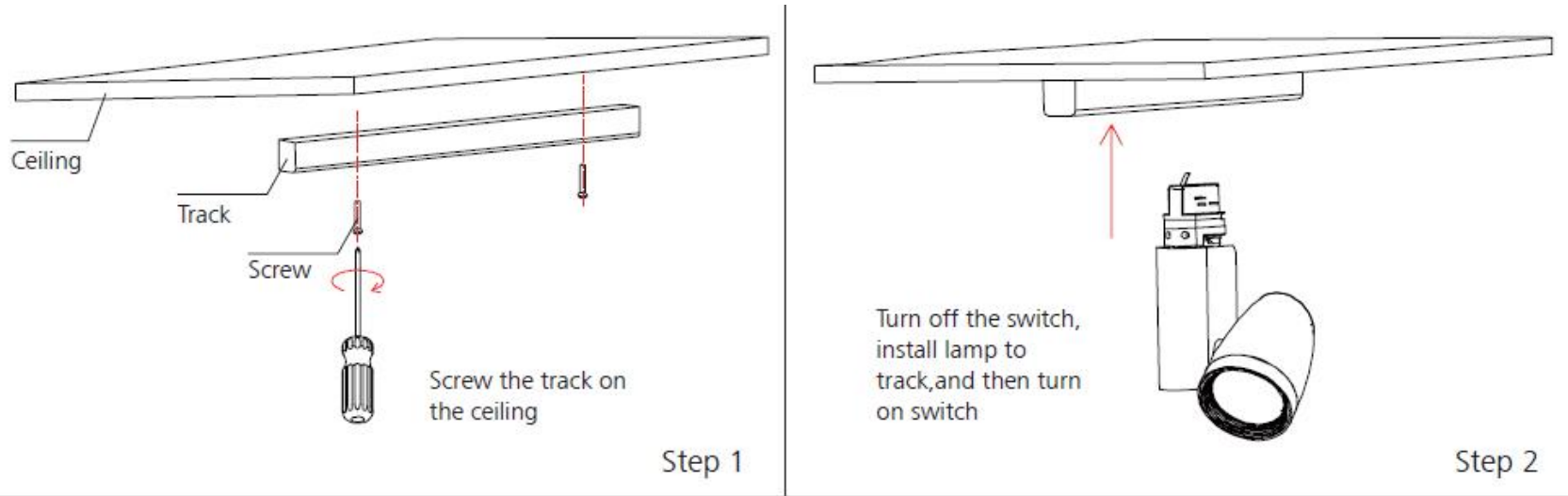
UPSHINE TL02 LED Track Light

- Up to 70% energy saving compared to standard CFL
- Long lifetime of 40,000 hours
- 15° 30° 45° beam angle
- CCT: 2700K 3000K
- 4000K 5000K
- No UV/IR light
- Environment friendly, without Mercury or any other hazardous substances



PART Three

Installation Notes



Finished

Step 3



THANK!

WWW.UPSHINE.COM