



Up-shine® Lighting



# Technical Application Guide for UP SHINE LED Track Light

UP-TL02-45W

# Introduction



Up-shine track light adopts CREE LEDs with excellent color rendering index to increase the color fidelity of the target illuminated object. Providing excellent heat dissipation, even light output without glare & dark spot. Adjustable lighting orientation with 360 degree in horizontal direction and 180 in vertical direction provided. 1-circuit adapter, 3-circuit adapter offered for wide choice.

- Up to 70% energy saving compared to standard CFL
- Long lifetime of 40,000 hours
- 15° 24° 45° beam angle
- CCT: 2700K 3000K  
4000K 5000K
- No UV/IR light
- Environment friendly, without Mercury or any other hazardous substances

## Application notes

- IP20 for indoor use only
- Professional electrician for installation only
- Switch off before installation
- Do not touch when in use
- Keep away from hot steam and corrosive gas

## Application Areas

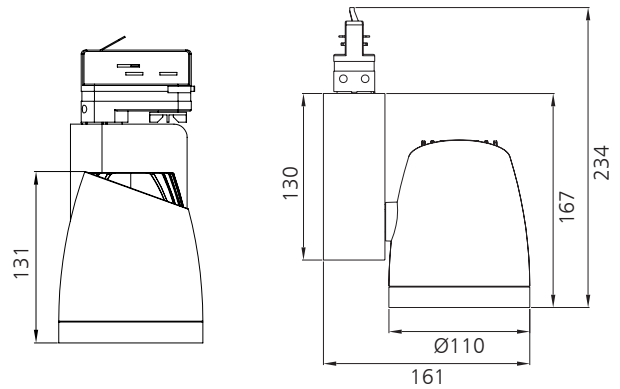
It is suitable for supermarket, specialty store, show window, exhibition hall; focus lighting, decorative and background lighting, where attention is focused on subjects to emphasize special visual points.

## Certificate

CE RoHS



# Product Information



## Technical Specifications

Model	Voltage	Power	Power Factor	Lumen (±5%)	Beam angle	CCT	Lifespan	CRI	Dimmable	Dimension
UP-TL02-45W	AC100-240V	45W	≥0.9	3300	15°/24°/45°	2700K	40000h	≥80	No	161*110*234mm
UP-TL02-45W	AC100-240V	45W	≥0.9	3450	15°/24°/45°	3000K	40000h	≥80	No	161*110*234mm
UP-TL02-45W	AC100-240V	45W	≥0.9	3700	15°/24°/45°	4000K	40000h	≥80	No	161*110*234mm
UP-TL02-45W	AC100-240V	45W	≥0.9	3600	15°/24°/45°	5000K	40000h	≥80	No	161*110*234mm

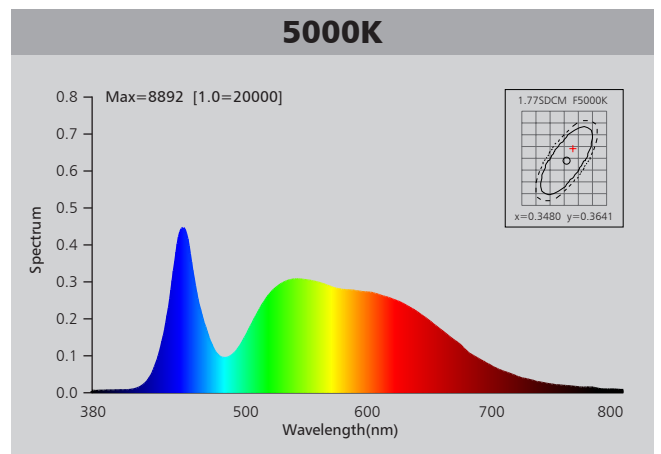
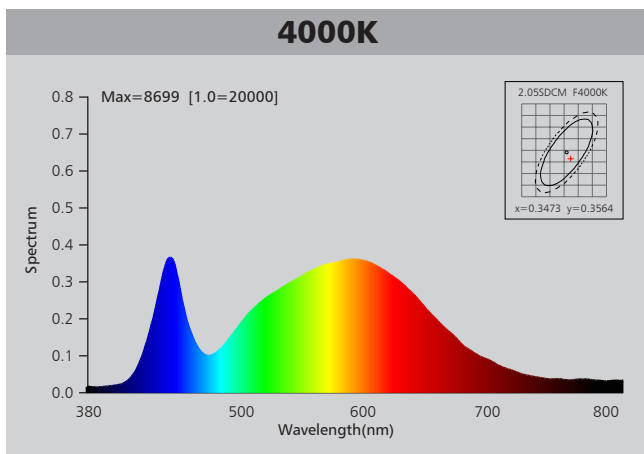
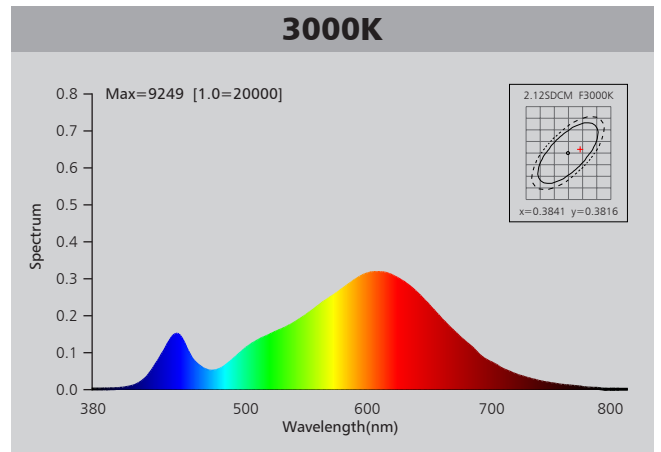
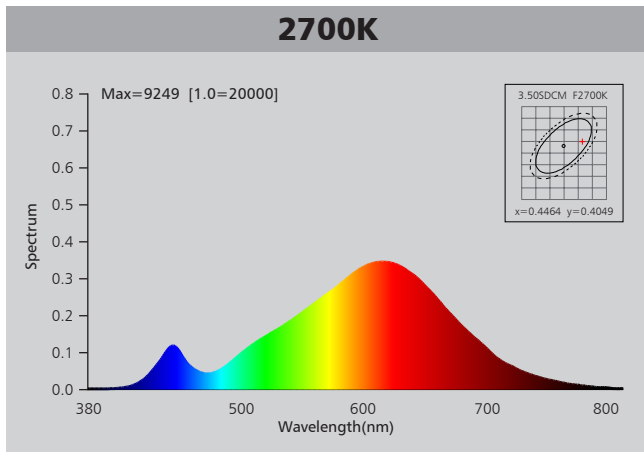
## Driver data Sheet

Driver data	Non-dim
Input rated Voltage	AC100-240V
Frequency	50/60HZ
Input Voltage	AC85-265V
Efficiency	≥87%
Total load Wattage	45W±5%
Power Factor	≥0.9
Rated input current	≤0.6A
Full load output Voltage	DC23-39V
Rated output current	1050mA
Output current range	1050mA±5%
Power tolerance	±5%
Current output tolerance	±5%
Short circuit protection	PASS
Over voltage protection	PASS
Over temperature protection	PASS
Withstand voltage	AC3750V

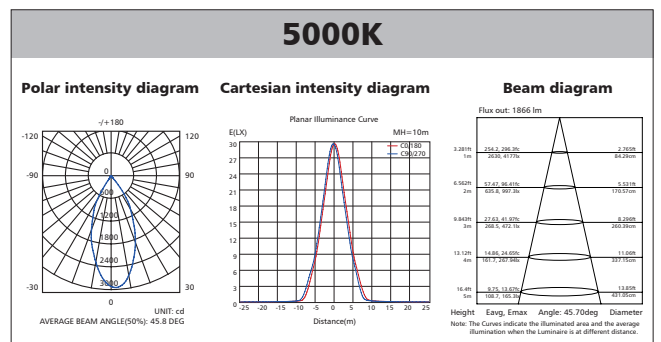
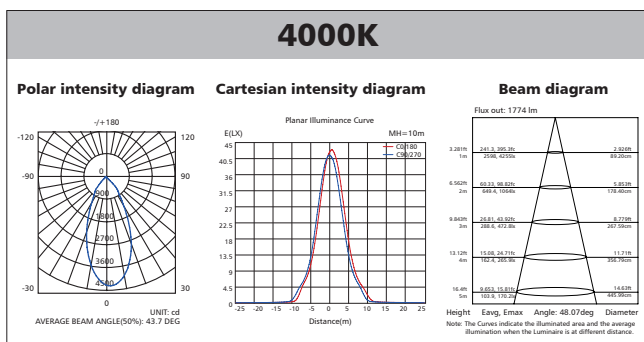
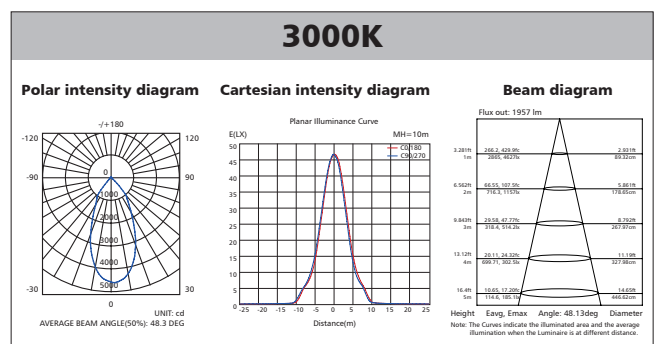
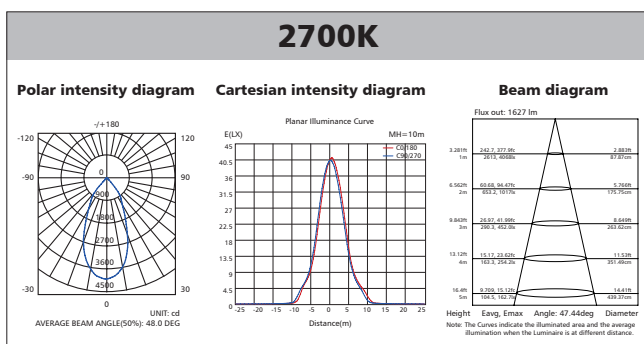
## Fixture Compatibility

Rated Wattage	Electrical Classification	Ingress Protection	Operating Temp	Operating Humidity	Storage Temp
45W	II	IP20	-20°C~45°C	0~90%	-20°C~65°C

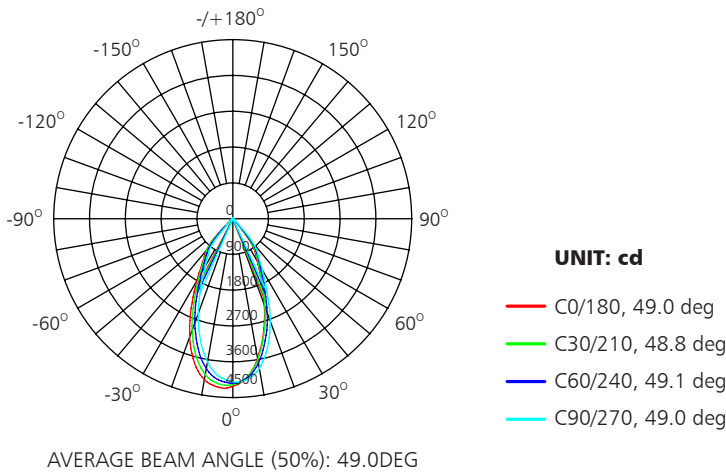
# Spectral Distribution



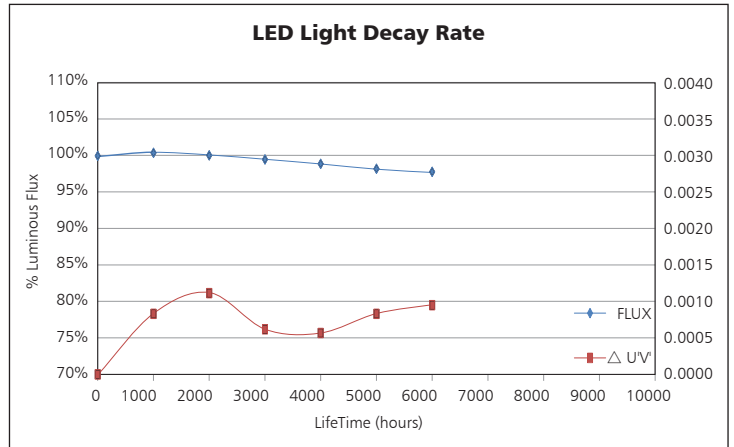
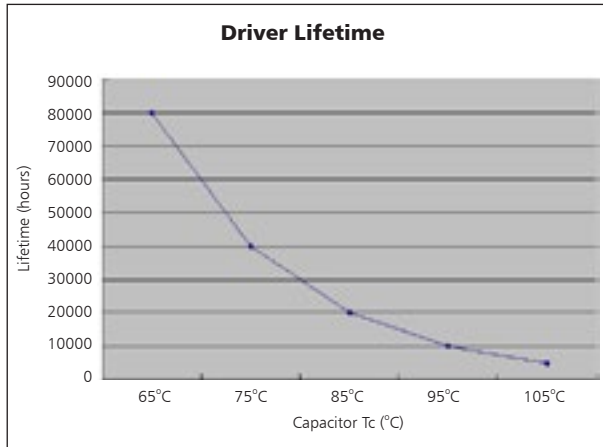
# Photometric Diagram



# Polar Diagram Comparison



# Driver lifetime & LED light decay rate



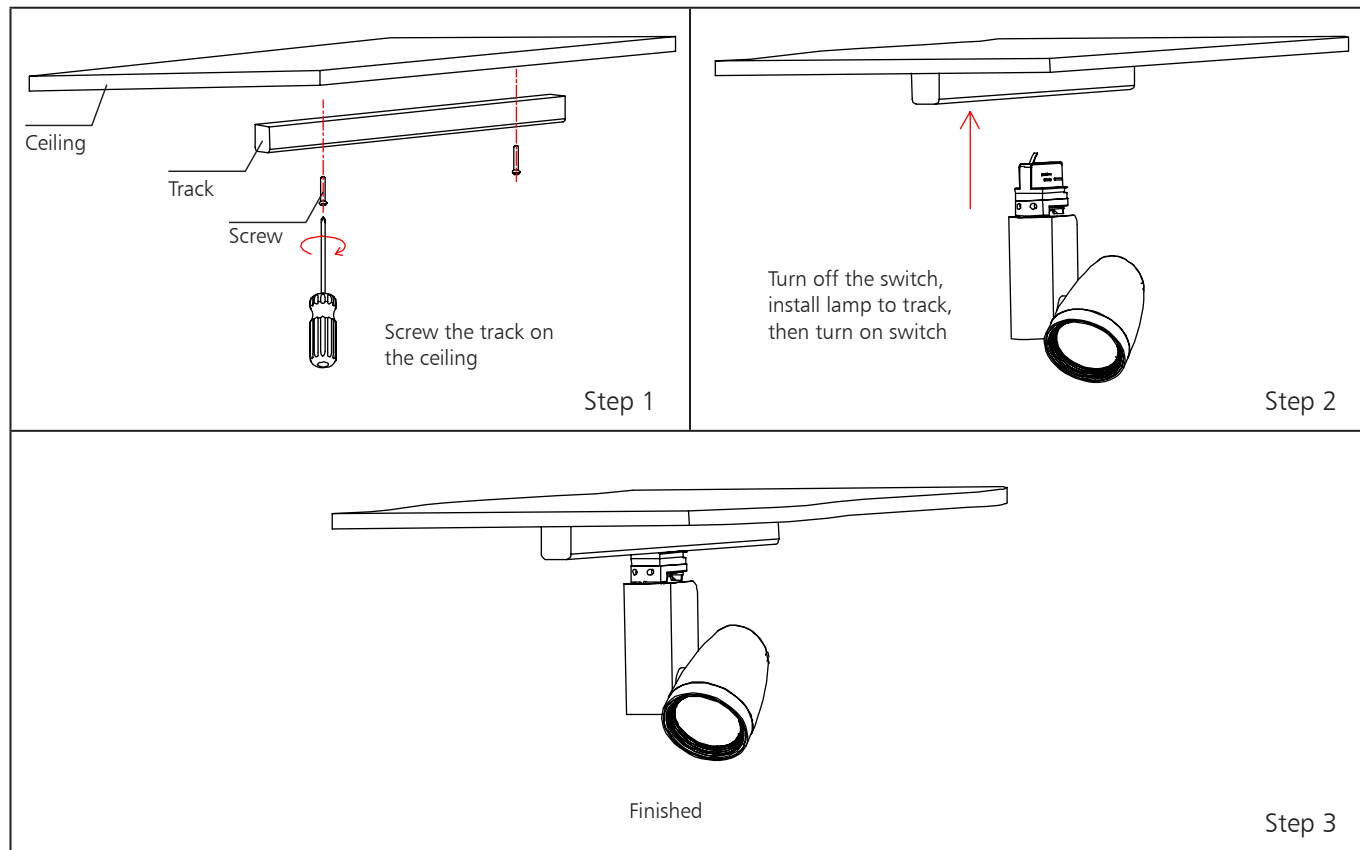
# Temperature

- The testing is operated at 25°C
- The lifetime of capacitor, minimum of 5,000 hours if operated at 105°C, will be doubled whenever the temperature drops 10°C.
- The highest withstand temperature of IC, MOS could be 120°C
- The highest withstand temperature of LED junction temperature is 150°C

The graph shows temperature fluctuations over time. The environmental temperature (green) is constant at 25°C. The IC (black) and MOS (yellow) temperatures remain relatively stable around 45-50°C. The LED (purple) temperature fluctuates between 45°C and 55°C. The Fitting (red) and PCB (cyan) temperatures fluctuate between 55°C and 70°C.

The driver lifespan is based on capacitor working temperature.

## Installation



## Packaging Information

	SIZE(CM)	N.W/pc (KGS)	G.W.(KGS)	Q'TY(PCS)
Carton	56*40.5*28.5	1.3	13.6	8

	CTNS	Q'TY(PCS)	VOLUME(CBM)
20" standard container	430	3440	28
40" standard container	860	6880	56

