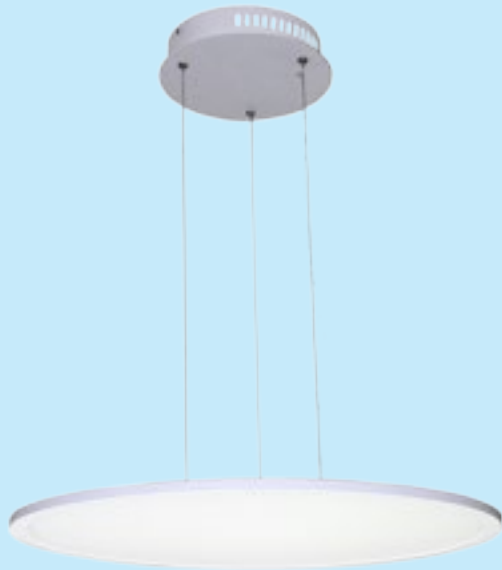




# Technical Application Guide for Stylelite LED Pendant Light

UP-PL4012-35W-W

# Introduction



Pendant led light acts as a decorative light in most applications. Elegant design creates soft lighting effect, suspended installation with adjustable mounting height, perfect for hotels, restaurant, coffee shop etc. 400mm, 600mm diameter for wide choice.

- Up to 80% energy saving compared to standard CFL
- Long lifetime of 40,000 hours
- 120° wide beam angle
- CCT: 3000K 4000K  
5000K 5700K
- No UV/IR light
- Environment friendly, without Mercury or any other hazardous substances

## Application notes

- IP40 for indoor use only
- Professional electrician for installation only
- Switch off before installation
- Do not touch when in use
- Keep away from hot steam and corrosive gas

## Application Areas

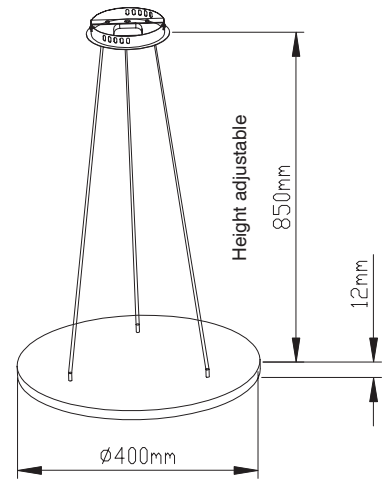
It is widely used for various commercial and residential lighting applications, such as office, hotel, restaurant, home lighting etc.

## Certificates

CE RoHS



# Product Information



## Technical Specifications

Model	Voltage	Power	Power Factor	Lumen (±5%)	Beam angle	CCT	Lifespan	CRI	Dimmable	Dimension
UP-PL4012-35W-W	AC100-240V	35W	≥0.9	2870	120°	3000K	40000h	≥80	No	Ø400*12mm
UP-PL4012-35W-W	AC100-240V	35W	≥0.9	2970	120°	4000K	40000h	≥80	No	Ø400*12mm
UP-PL4012-35W-W	AC100-240V	35W	≥0.9	3040	120°	5000K	40000h	≥80	No	Ø400*12mm
UP-PL4012-35W-W	AC100-240V	35W	≥0.9	3080	120°	5700K	40000h	≥80	No	Ø400*12mm
UP-PL4012-35WD-W	AC200-240V	35W	≥0.9	2830	120°	3000K	40000h	≥80	Yes	Ø400*12mm
UP-PL4012-35WD-W	AC200-240V	35W	≥0.9	2900	120°	4000K	40000h	≥80	Yes	Ø400*12mm
UP-PL4012-35WD-W	AC200-240V	35W	≥0.9	2970	120°	5000K	40000h	≥80	Yes	Ø400*12mm
UP-PL4012-35WD-W	AC200-240V	35W	≥0.9	3010	120°	5700K	40000h	≥80	Yes	Ø400*12mm

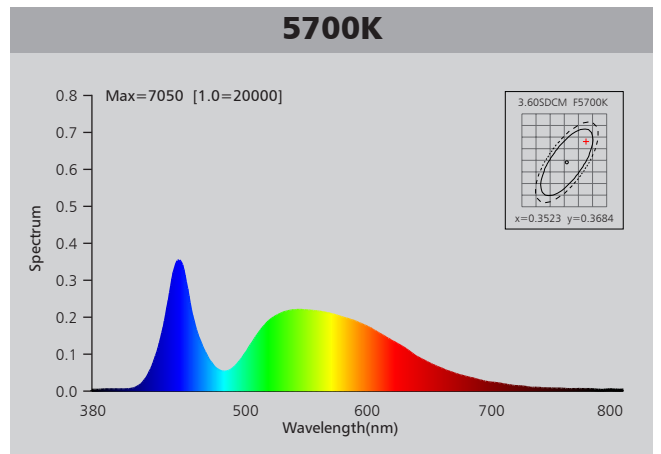
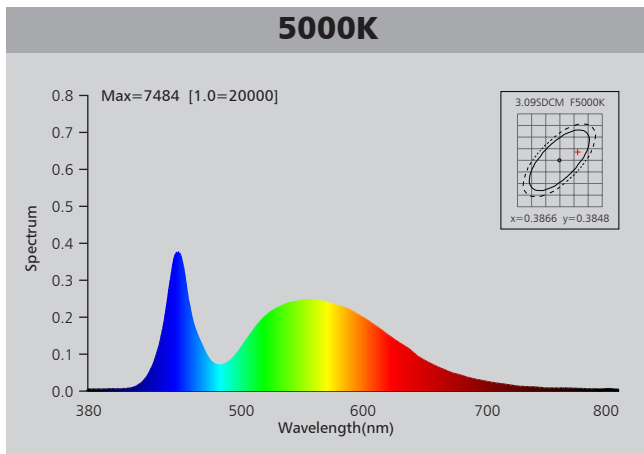
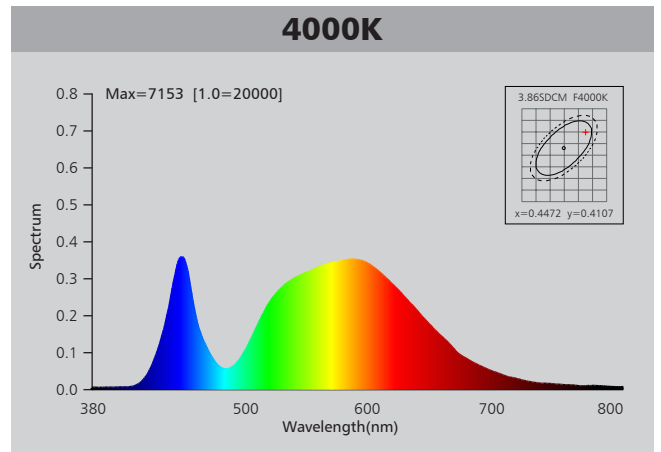
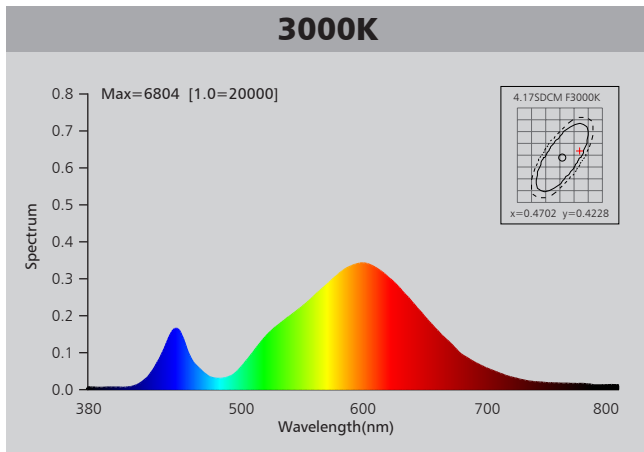
## Driver data Sheet

Driver data	Dim	Non-dim
Input rated Voltage	AC230V	AC100-240V
Frequency	50Hz	50/60Hz
Input Voltage	AC200-240V	AC85-265V
Efficiency	≥83%	≥86%
Total load Wattage	35W±5%	35W±5%
Power Factor	≥0.9	≥0.9
Rated input current	≤0.17A	≤0.39A
Full load output Voltage	DC35-40V	DC35-40V
Rated output current	780mA	800mA
Output current range	780mA±5%	800mA±5%
Tolerance	±5%	±5%
Current output tolerance	±5%	±5%
Dimming range	8%-100%	—
Dimmer	Triac dimmers	—
Short circuit protection	PASS	PASS
Over voltage protection	PASS	PASS
Over temperature protection	PASS	PASS
Withstand voltage	AC1500V	AC1500V

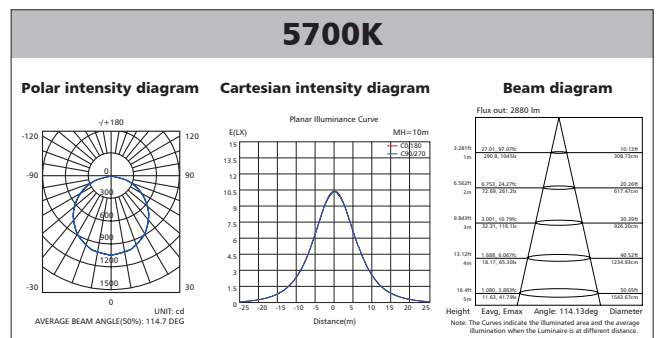
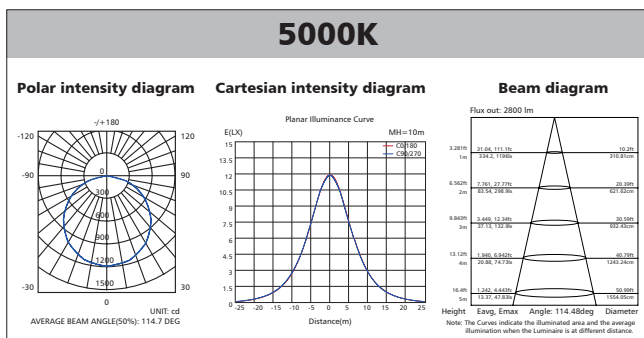
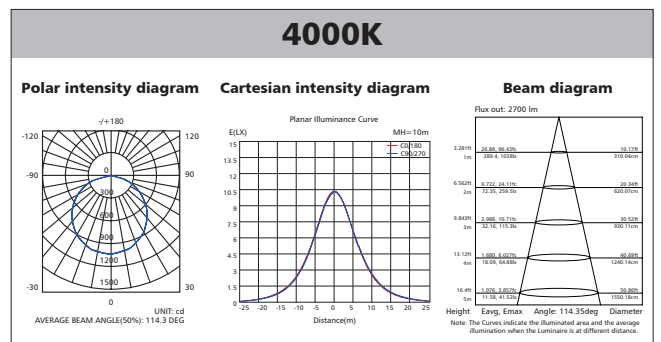
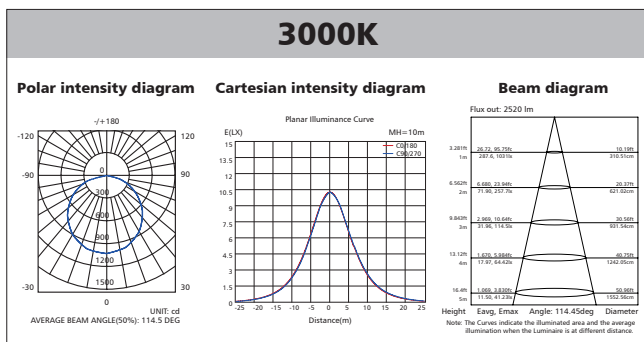
## Fixture Compatibility

Rated Wattage	Electrical Classification	Ingress Protection	Operating Temp	Operating Humidity	Storage Temp
35W	I	IP40	-20°C~45°C	0~90%	-20°C~65°C

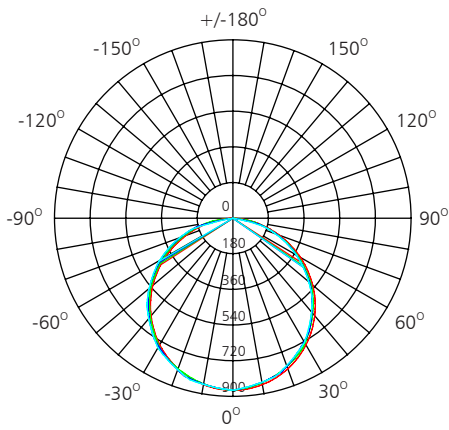
# Spectral Distribution



# Photometric Diagram



# Polar Diagram Comparison



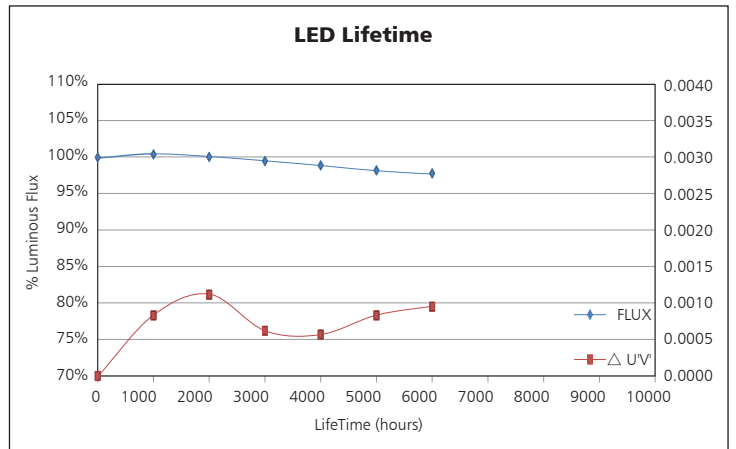
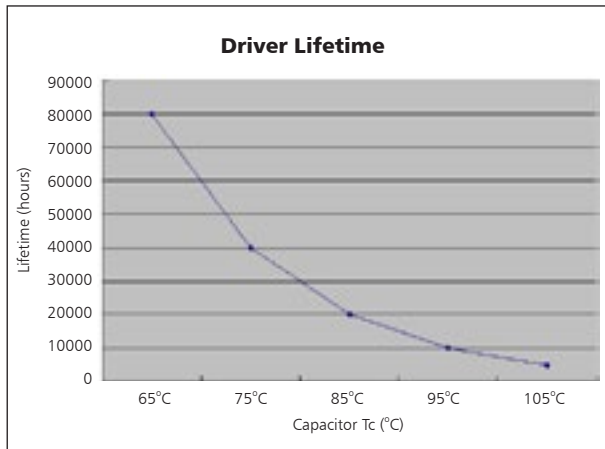
UNIT: cd

- C0/180, 114.2 deg
- C30/210, 113.8 deg
- C60/240, 114.2 deg
- C90/270, 114.6 deg

AVERAGE BEAM ANGLE (50%): 114.2DEG



# Driver lifetime & LED lifetime



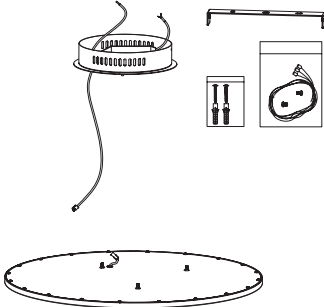
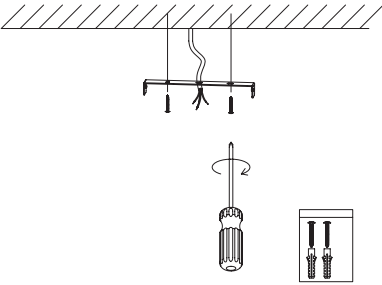
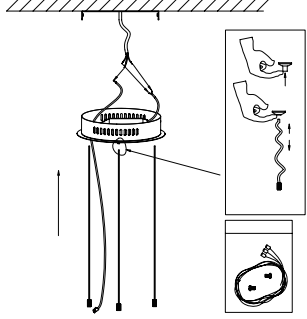
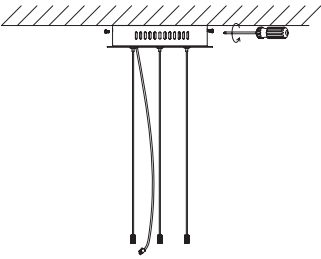
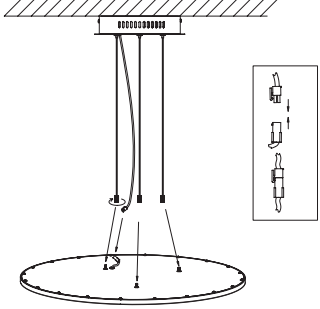
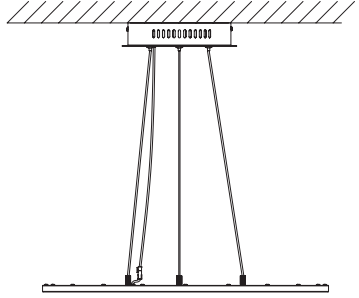
# Temperature

- The testing is operated at 25°C
- The lifetime of capacitor, minimum of 5,000 hours if operated at 105°C, will be doubled whenever the temperature drops 10°C
- The highest withstand temperature of IC, MOS could be 120°C
- The highest withstand temperature of LED junction temperature is 150°C

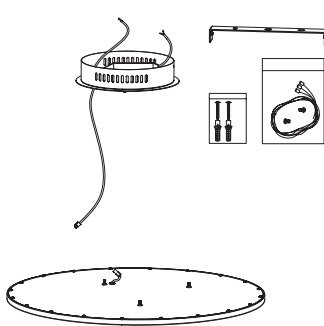
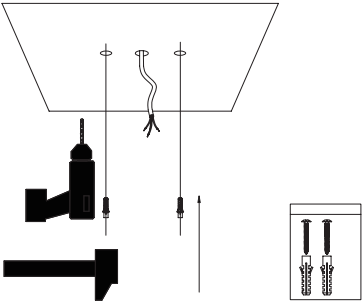
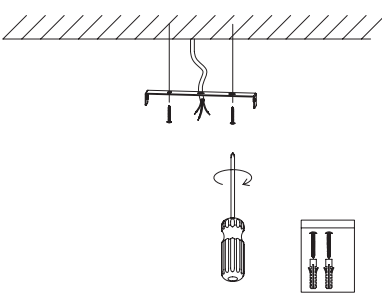
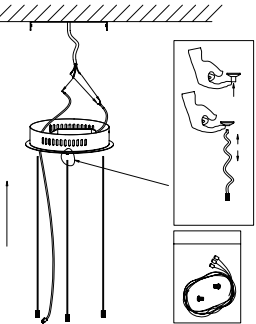
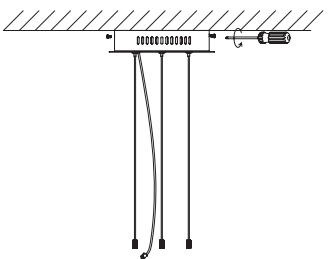
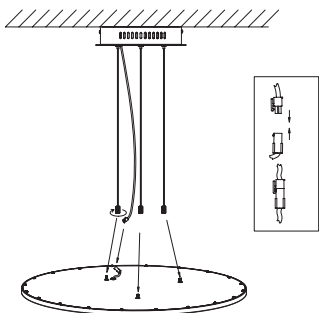
The driver lifespan is based on capacitor working temperature.

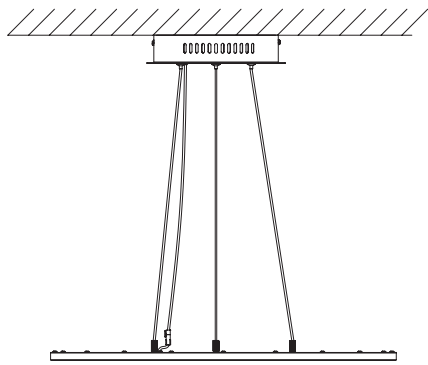
# Installation

## Wooden ceiling:

 <p>1. Unbox panel light and accessory pack.</p>	 <p>2. Switch off, fix bracket into ceiling with screw.</p>	 <p>3. Insert the hanging wire into wall mount bracket; connect L/N/E to mains supply.</p>
 <p>4. Fix the wall mount bracket into ceiling by screw.</p>	 <p>5. Hang panel to suspending rope and connect the DC connector</p>	 <p>6. Adjust the length of hanging wire to proper height, Restore the power and switch on.</p>

## Concrete ceiling:

 <p>1. Unbox panel light and accessory pack</p>	 <p>2. Power off, Punch holes and knock the plastic anchor into ceiling</p>	 <p>3. Fix bracket into ceiling with screw.</p>
 <p>4. Insert the hanging wire into wall mount bracket; connect L/N/E to mains supply.</p>	 <p>5. Fix the wall mount bracket into ceiling by screw.</p>	 <p>6. Hang panel to suspending rope and connect the DC connector</p>



7. Adjust the length of hanging wire to proper height,  
Restore the power and switch on

## Packaging Information

	SIZE(CM)	N.W/pc (KGS)	G.W.(KGS)	Q'TY(PCS)
Carton	45.5*21.5*65	3.1	13.3	4

	CTNS	Q'TY(PCS)	VOLUME(CBM)
20" standard container	433	1732	28
40" standard container	866	3464	56

