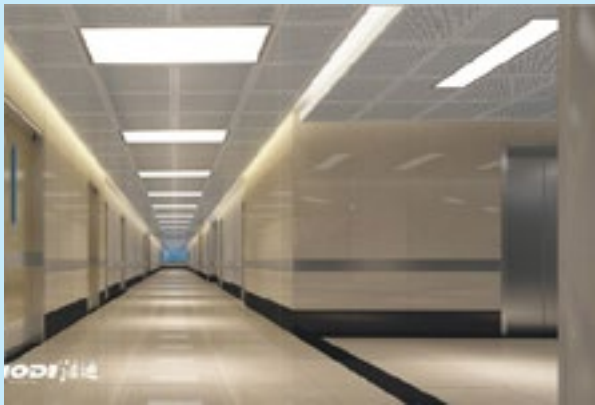




Technical Application
Guide for UP-SHINE
LED Frameless
Panel Light

UP-PL6060-45W-P

Introduction



Frameless panel is an improved version compared to regular panels. They are of high lumen output, high CRI > 80, top branded driver with stable working performance. Dimmable version comes with triac dim, 0-10V dim, DALI dim, it shares great popularity by perfect dimming range and great compatibility with worldwide dimmers. The Frameless structural design makes it special and elegant. 5mm thickness diffuser with extremely even light output provides high quality lighting effect.

- Up to 80% energy saving compared to standard CFL
- Long lifetime of 40,000 hours
- Dimmable when using triac dimmer
- 120° wide beam angle
- CCT: 3000K 4000K
5000K 5700K
- No UV/IR light
- Environment friendly, without Mercury or any other hazardous substances

Application notes

- IP40 for indoor use
- Professional electrician for installation only
- Switch off before installation
- Do not touch when in use
- Keep away from hot steam and corrosive gas

Application Areas

Widely used for various commercial lighting and residential lighting applications, such as office, shopping mall, hotel, restaurant, hospital, home lighting etc.

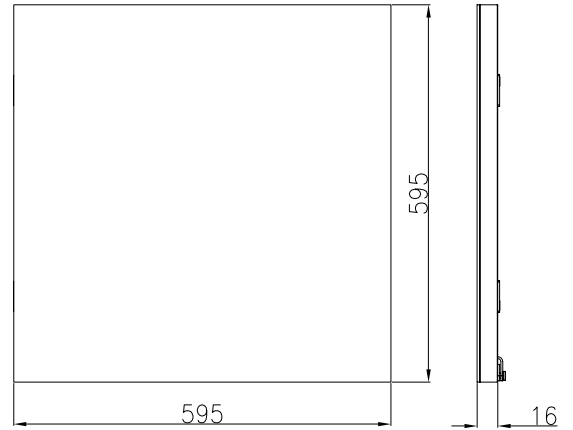
Certificates



RoHS



Product Information



Technical Specifications

Model	Voltage	Power	Power Factor	Lumen (±5%)	Beam angle	CCT	Lifespan	CRI	Dimmable	Dimension
UP-PL6060-45W-P	AC100-240V	45W	≥0.9	3700	120°	3000K	40000h	≥80	No	595*595*16mm
UP-PL6060-45W-P	AC100-240V	45W	≥0.9	3800	120°	4000K	40000h	≥80	No	595*595*16mm
UP-PL6060-45W-P	AC100-240V	45W	≥0.9	3850	120°	5000K	40000h	≥80	No	595*595*16mm
UP-PL6060-45W-P	AC100-240V	45W	≥0.9	3900	120°	5700K	40000h	≥80	No	595*595*16mm

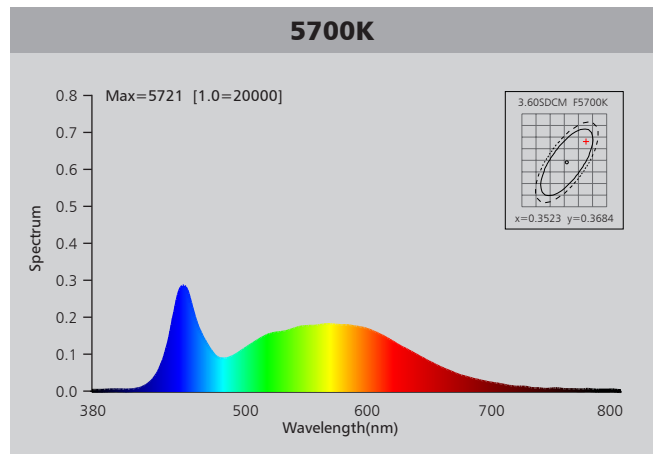
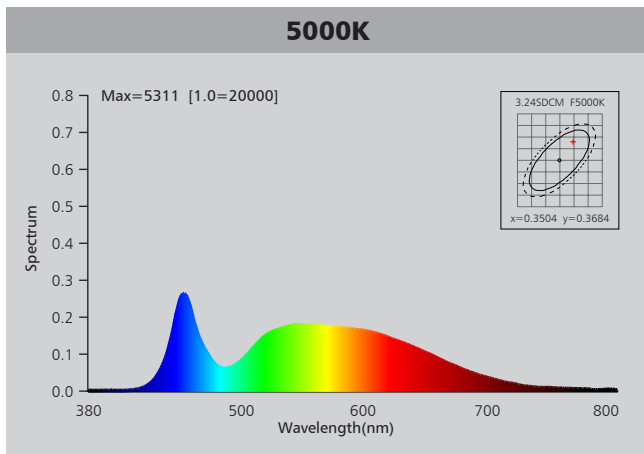
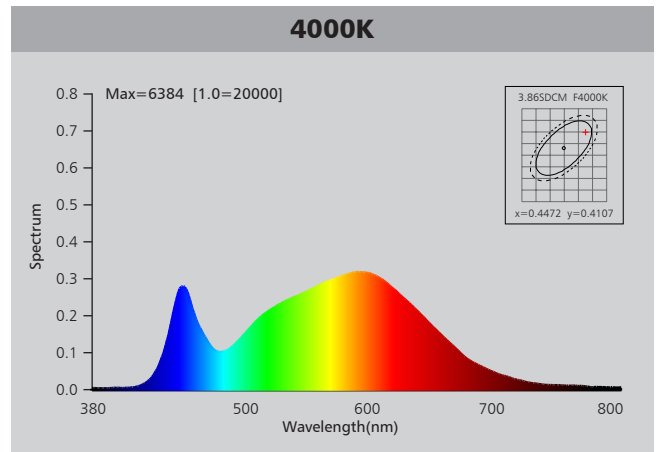
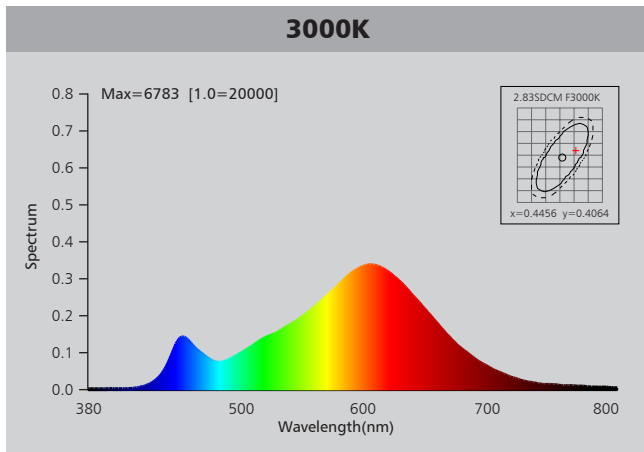
Driver data Sheet

Driver data	Non-dim
Input rated Voltage	AC100-240V
Frequency	50/60Hz
Input Voltage	AC85-265V
Efficiency	≥86%
No load wattage	≤0.7W
Total load Wattage	45W±5%
Power Factor	≥0.9
Rated input current	≤0.5A
Full load output Voltage	DC23-39V
Rated output current	1050mA
Output current range	1050mA±5%
Power tolerance	±5%
Current output tolerance	±5%
Dimming range	—
Dimmer	—
Short circuit protection	PASS
Over voltage protection	PASS
Over temperature protection	PASS
Withstand voltage	AC3750V

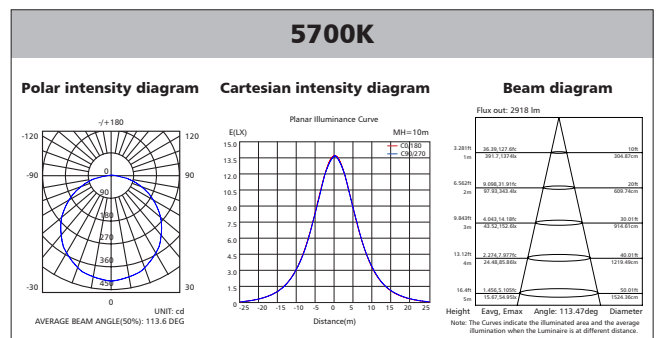
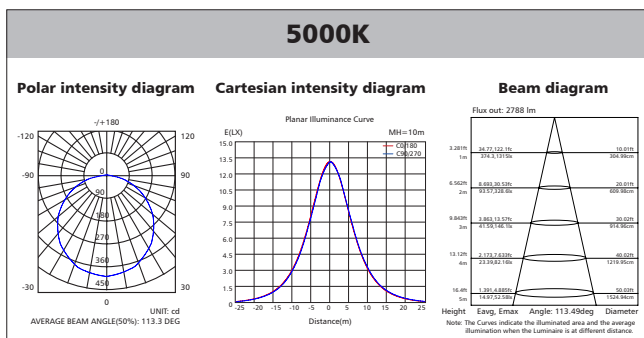
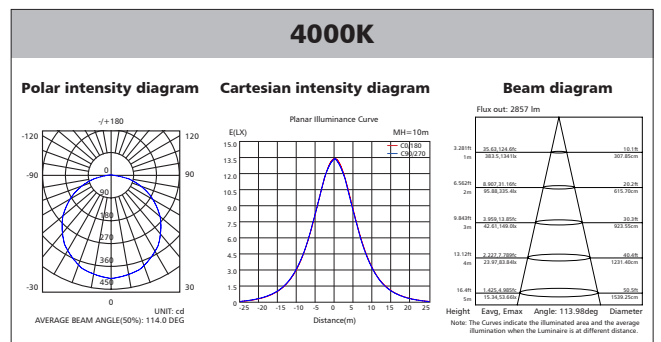
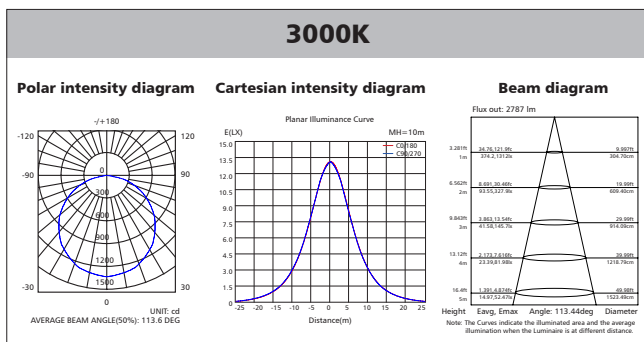
Fixture Compatibility

Rated Wattage	Electrical Classification	Ingress Protection	Operating Temp	Operating Humidity	Storage Temp
45W±5%	II	IP20	-20°C~45°C	0~90%	-20°C~65°C

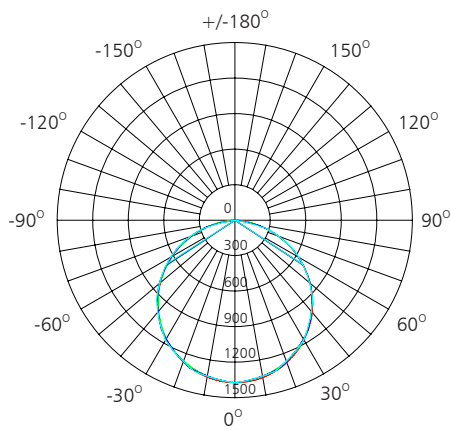
Spectral Distribution



Photometric Diagram



Polar Diagram Comparison



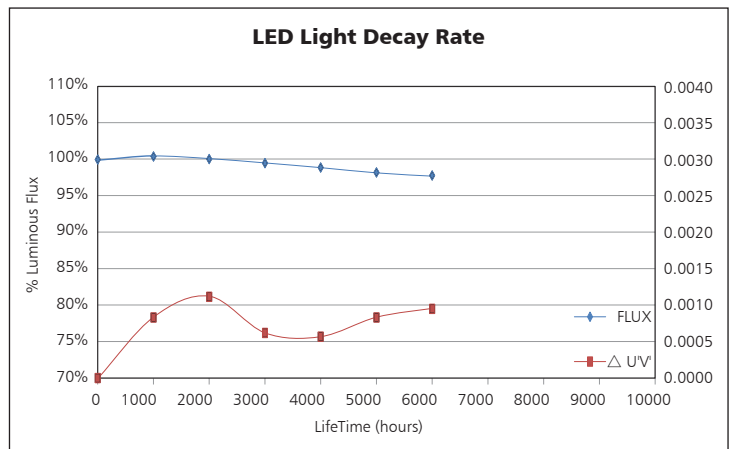
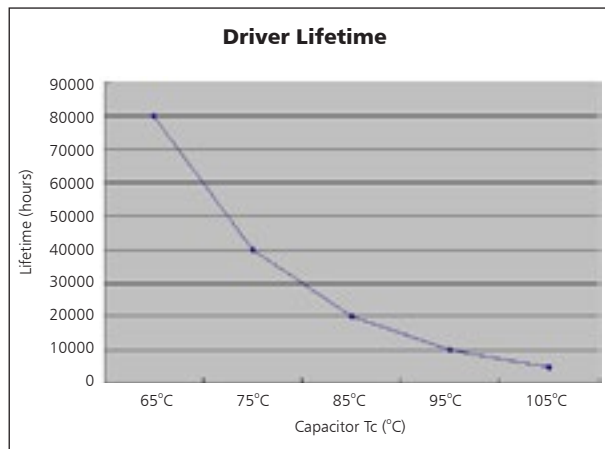
UNIT: cd

- C0/180, 113.5 deg
- C30/210, 113.2 deg
- C60/240, 113.6 deg
- C90/270, 114.0 deg

AVERAGE BEAM ANGLE (50%): 113.6DEG

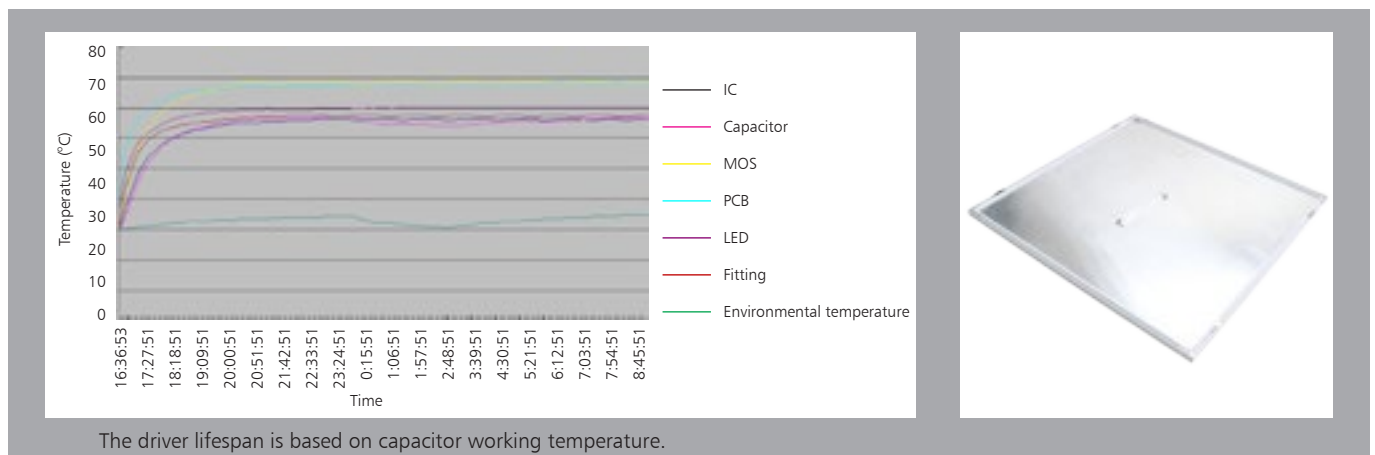


Driver lifetime & LED light decay rate



Temperature

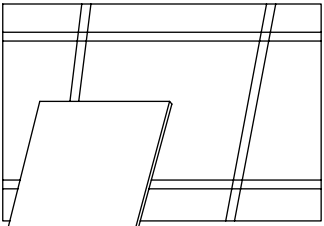
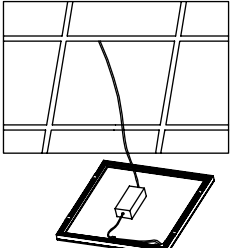
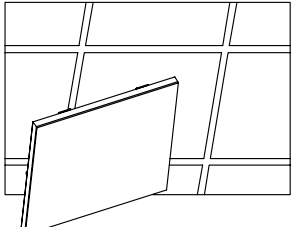
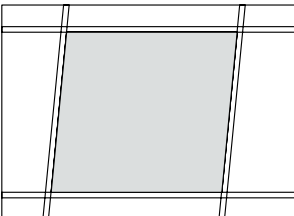
- The testing is operated at 25°C
- The lifetime of capacitor, minimum of 5,000 hours if operated at 105°C, will be doubled whenever the temperature drops 10°C
- The highest withstand temperature of IC, MOS could be 120°C
- The highest withstand temperature of LED junction temperature is 150°C



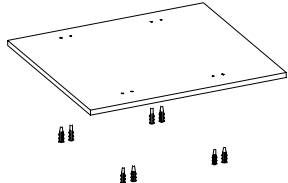
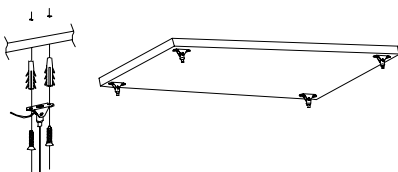
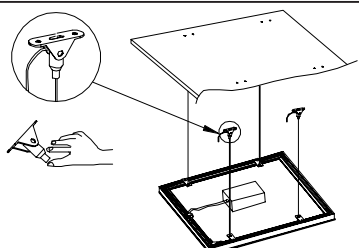
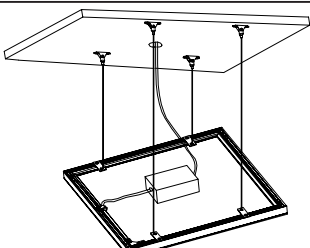
The driver lifespan is based on capacitor working temperature.

Installation

1. Recessed into ceiling

<p>1. Remove ceiling plaster slab.</p> 	<p>2. Connect power supply.</p> 
<p>3. Fix the panel light into target place.</p> 	<p>4. Stabilize the panel.</p> 

2. Suspending

<p>1. Fix the anchor into right place on the ceiling.</p> 	<p>2. Fix the installation mount on the ceiling with plastic anchor.</p> 
<p>3. Connect panel and installation using clip and wire.</p> 	<p>4. Adjust the length of steel wire. Connect the power supply.</p> 

Packaging Information

	SIZE(CM)	N.W./pc (KGS)	G.W.(KGS)	Q'TY(PCs)
Carton	66.5*21*73	5.1	24.5	4

	CTNS	Q'TY(PCs)	VOLUME(CBM)
20" standard container	250	1000	28
40" standard container	500	2000	56

