



Up-shine[®] Lighting



Technical Application
Guide for UP SHINE
LED Downlight
UP-DL54B-8-20W

Introduction



SMD LED Down light adopts high lumen SMD LED, PC diffuser with even light output. V0 fire rated plastic housing with internal driver design; it is our most economical and practical downlight version. Dimmable version available, it shares great popularity by the excellent dimming effect.

- Up to 70% energy saving compared to standard CFL
- Long lifetime of 40,000 hours
- 90° wide beam angle
- 200-210mm cutout
- CCT: 3000K 4000K
5000K 5700K
- No UV/IR light
- Environment friendly, without Mercury or any other hazardous substances

Application notes

- IP54 only for the LED cover, IP40 for other part
- Professional electrician for installation only
- Switch off before installation
- Do not touch when in use
- Keep away from hot steam and corrosive gas

Application Areas

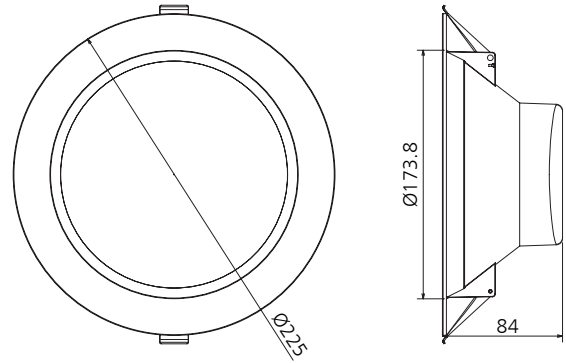
It is designed for general lighting applications in office, supermarket, shop, school, hotel, etc. It is also widely used for public areas, such as stairway, lobby, reception, corridors etc.

Certificate

CE RoHS



Product Information



Technical Specifications

Model	Voltage	Power	Power Factor	Lumen (±5%)	Beam angle	CCT	Lifespan	CRI	Dimmable	Dimension
UP-DL54B-8-20W	AC100-240V	20W	≥0.9	1720	90°	3000K	40000h	≥80	No	Ø225*84mm cutout 200-210mm
UP-DL54B-8-20W	AC100-240V	20W	≥0.9	1860	90°	4000K	40000h	≥80	No	Ø225*84mm cutout 200-210mm
UP-DL54B-8-20W	AC100-240V	20W	≥0.9	1850	90°	5000K	40000h	≥80	No	Ø225*84mm cutout 200-210mm
UP-DL54B-8-20W	AC100-240V	20W	≥0.9	1840	90°	5700K	40000h	≥80	No	Ø225*84mm cutout 200-210mm

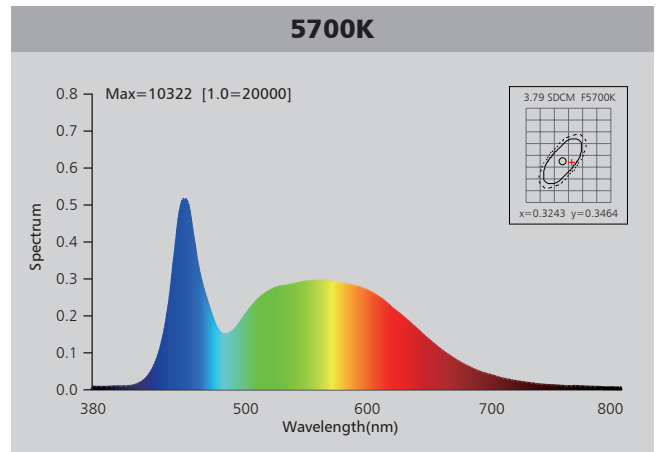
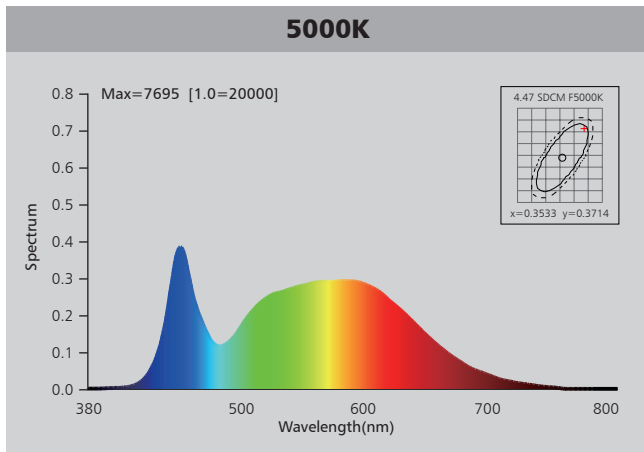
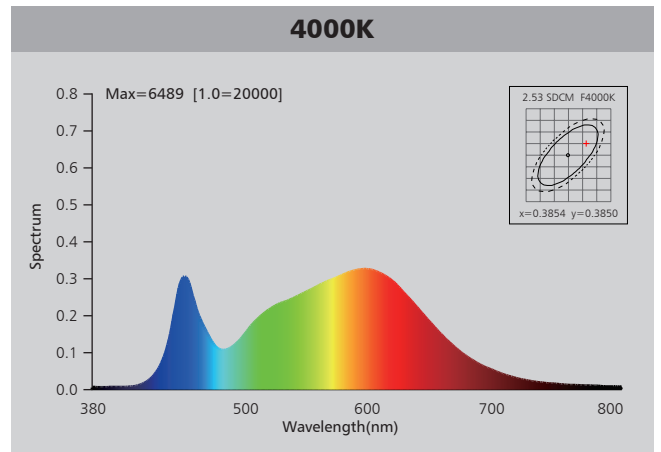
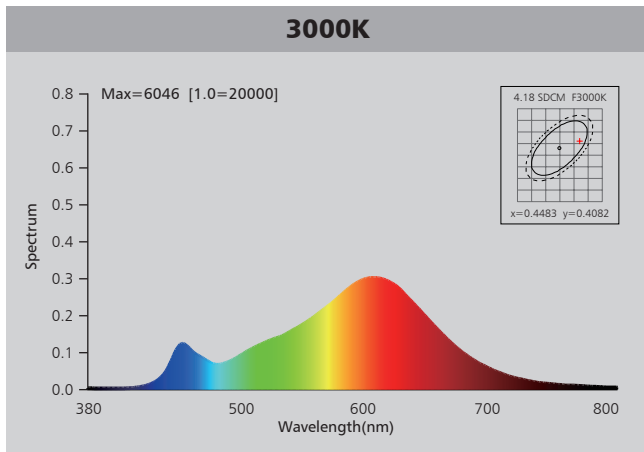
Driver data Sheet

Driver data	Non-DIM
Input rated Voltage	AC100-240V
Frequency	50/60Hz
Input Voltage	AC85-265V
Efficiency	≥88%
Total load Wattage	20W±5%
Power Factor	≥0.9
Rated input current	≤0.23A
Full load output Voltage	55-78V
Rated output current	250mA
Output current range	250mA±5%
Power tolerance	±5%
Current output tolerance	±5%
Dimming range	—
Dimmer	—
Short circuit protection	PASS
Over voltage protection	PASS
Over temperature protection	PASS
Withstand voltage	—

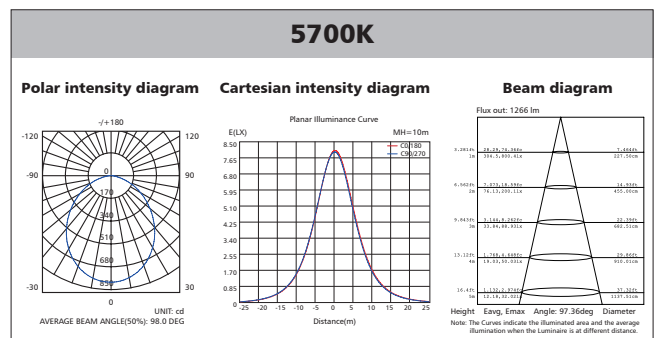
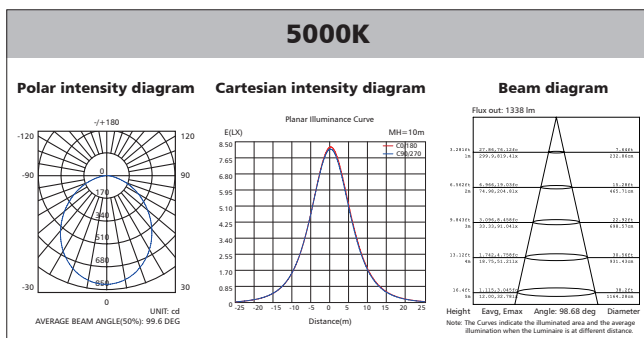
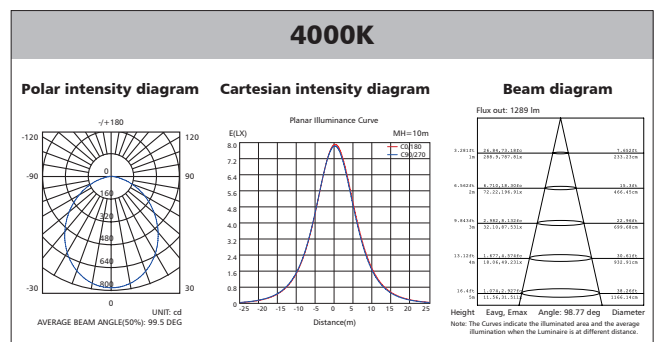
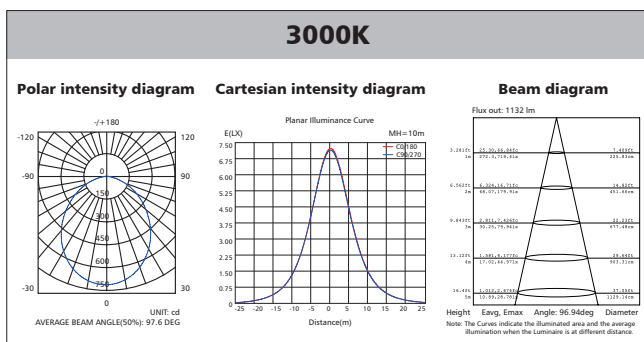
Fixture Compatibility

Rated Wattage	Electrical Classification	Ingress Protection	Operating Temp	Operating Humidity	Storage Temp
20W	II	IP40 / IP54	-20°C~45°C	0~90%	-20°C~65°C

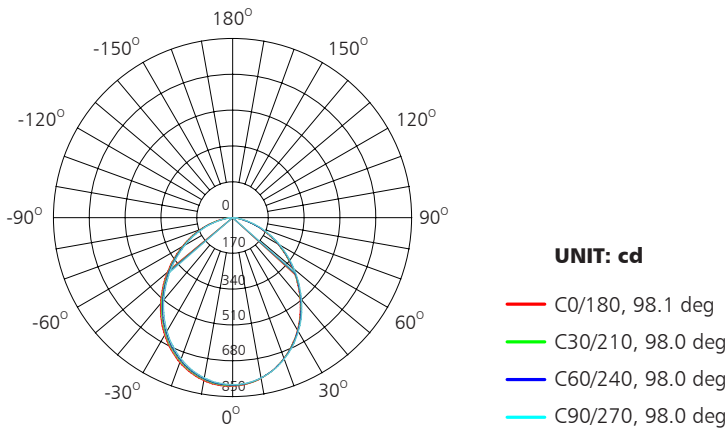
Spectral Distribution



Photometric Diagram

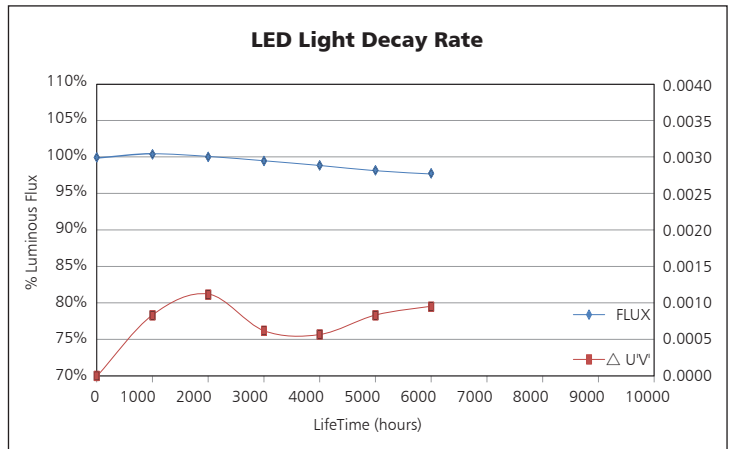
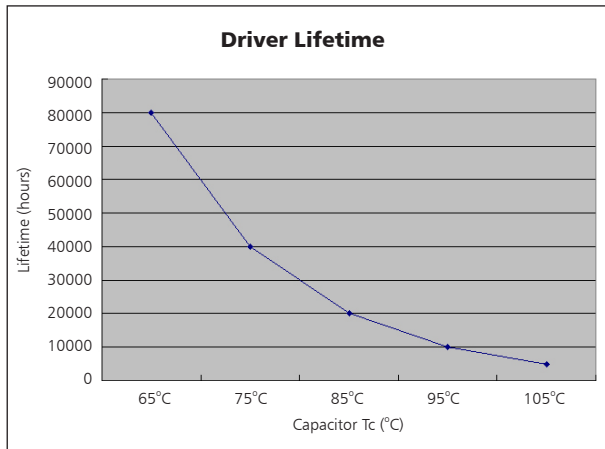


Polar Diagram Comparison



AVERAGE BEAM ANGLE (50%): 98.0DEG

Driver lifetime & LED light decay rate

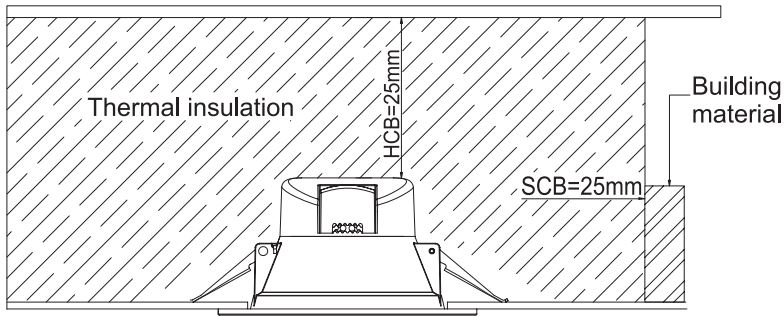


Temperature

- The testing is operated at 25°C
- The lifetime of capacitor, minimum of 5,000 hours if operated at 105°C, will be doubled whenever the temperature drops 10°C
- The highest withstand temperature of IC, MOS could be 120°C
- The highest withstand temperature of LED junction temperature is 150°C

The driver lifespan is based on capacitor working temperature.

Installation



<p>Ceiling Opening</p> <p>1</p>	<p>Loosen the screw and take off the cover, connect the wire to the wiring terminals, put the cover back and tighten the screw.</p> <p>2</p>
<p>A. Hold back spring clips</p> <p>B. Push downlight into position</p> <p>3</p>	<p>Spring Clips</p> <p>Ceiling</p> <p>4</p>

Packaging Information

	SIZE(CM)	N.W/pc (KGS)	G.W.(KGS)	Q'TY(PCS)
Carton	48*48*49	0.635	14	20

	CTNS	Q'TY(PCS)	VOLUME(CBM)
20" standard container	245	4900	28
40" standard container	490	8900	56

