



# Technical Application Guide for UP-SHINE LED Ceiling light

UP-AL02-14-25W-B

# Introduction



Up-shine Oystar ceiling light adopts high lumen SMD LED, PC diffuser with even light output. High PF LED driver with Triac dimmable function, 120° wide beam angle.

- Up to 70% energy saving compared to standard CFL
- Long lifetime of 40,000 hours
- Dimmable when using triac dimmer
- 120° wide beam angle
- CCT: 3000K 4000K  
5000K 5700K
- No UV/IR light
- Environment friendly, without Mercury or any other hazardous substances

## Application notes

- IP20 for indoor use
- Professional electrician for installation only
- Switch off before installation
- Do not touch when in use
- Keep away from hot steam and corrosive gas

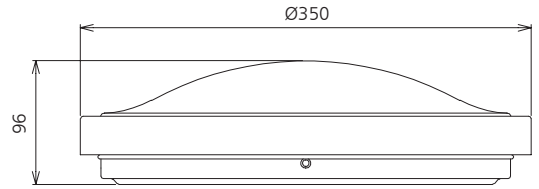
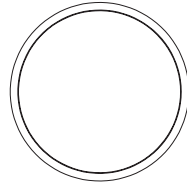
## Application Areas

Suitable for commercial and residential applications like office, supermarket, shop, school, hotel, restaurant, workshop, warehouse, home etc.

## Certificate



# Product Information



## Technical Specifications

Model	Voltage	Power	Power Factor	Lumen (±5%)	Beam angle	CCT	Lifespan	CRI	Dimmable	Dimension
UP-AL02-14-25W-B	AC100-240V	25W	≥0.9	1480	120°	3000K	40000h	≥80	No	Ø350*96mm
UP-AL02-14-25W-B	AC100-240V	25W	≥0.9	1620	120°	4000K	40000h	≥80	No	Ø350*96mm
UP-AL02-14-25W-B	AC100-240V	25W	≥0.9	1650	120°	5000K	40000h	≥80	No	Ø350*96mm
UP-AL02-14-25W-B	AC100-240V	25W	≥0.9	1680	120°	5700K	40000h	≥80	No	Ø350*96mm
UP-AL02-14-25WD-B	AC120V AC230V	25W	≥0.9	1340	120°	3000K	40000h	≥80	Yes	Ø350*96mm
UP-AL02-14-25WD-B	AC120V AC230V	25W	≥0.9	1460	120°	4000K	40000h	≥80	Yes	Ø350*96mm
UP-AL02-14-25WD-B	AC120V AC230V	25W	≥0.9	1500	120°	5000K	40000h	≥80	Yes	Ø350*96mm
UP-AL02-14-25WD-B	AC120V AC230V	25W	≥0.9	1520	120°	5700K	40000h	≥80	Yes	Ø350*96mm

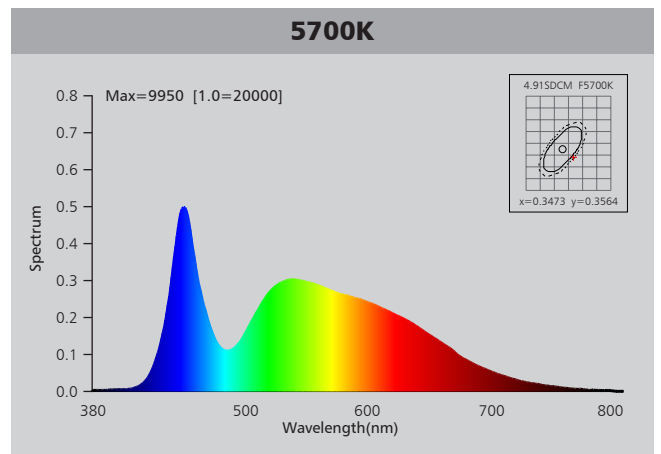
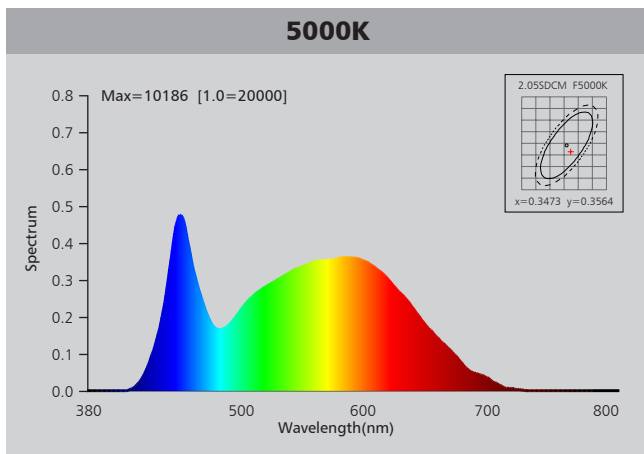
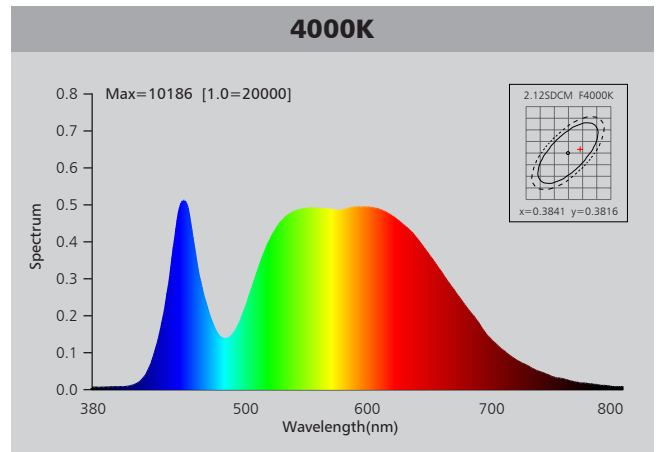
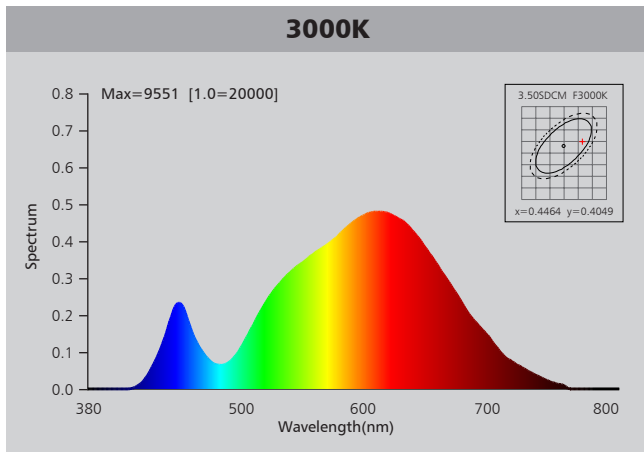
## Driver data Sheet

Driver data	DIM	DIM	Non-dim
Input rated Voltage	AC120V	AC230V	AC100-240V
Frequency	60Hz	50Hz	50/60Hz
Input Voltage	AC90-140V	AC200-240V	AC85-265V
Efficiency	≥80%	≥80%	≥85%
Total load Wattage	25W±5%	25W±5%	25W±5%
Power Factor	≥0.9	≥0.9	≥0.9
Rated input current	≤0.24A	≤0.13A	≤0.28A
Full load output Voltage	DC30-60V	DC30-60V	DC30-60V
Rated output current	600mA	600mA	610mA
Output current range	600mA±5%	600mA±5%	610mA±5%
Power tolerance	±5%	±5%	±5%
Current output tolerance	±5%	±5%	±5%
Dimming range	8%-100%	8%-100%	—
Dimmer	Triac dimmers	Triac dimmers	—
Short circuit protection	PASS	PASS	PASS
Over voltage protection	PASS	PASS	PASS
Over temperature protection	PASS	PASS	PASS
Withstand voltage	AC1500V	AC1500V	AC1500V

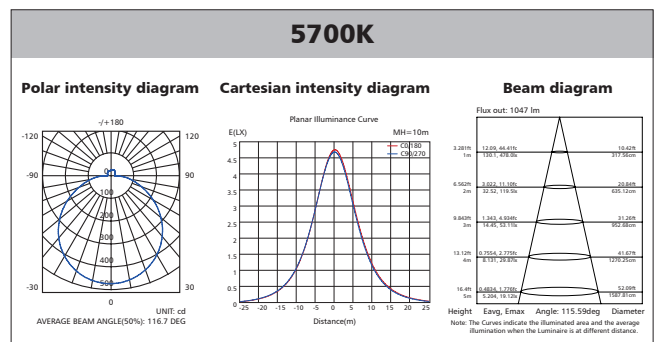
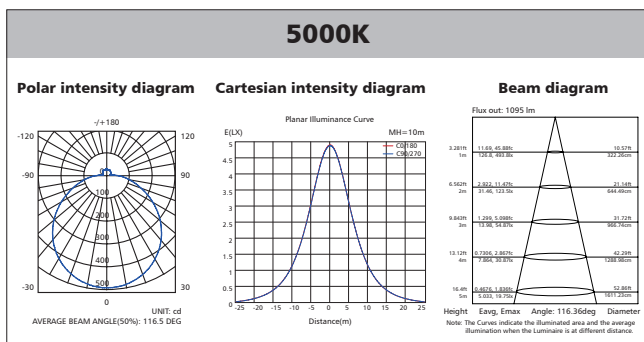
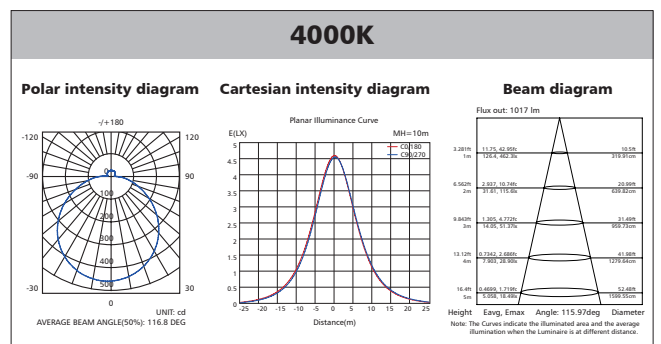
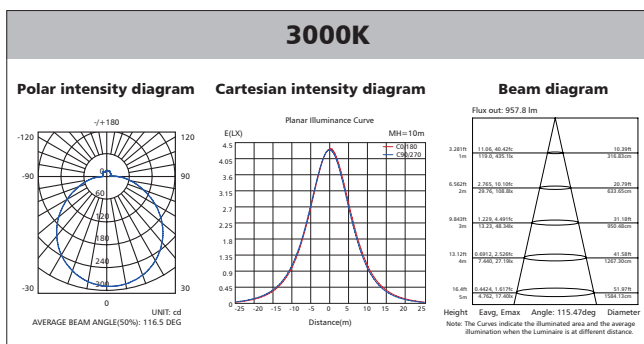
## Fixture Compatibility

Rated Wattage	Electrical Classification	Ingress Protection	Operating Temp	Operating Humidity	Storage Temp
25W	I	IP20	-20°C~45°C	0~90%	-20°C~65°C

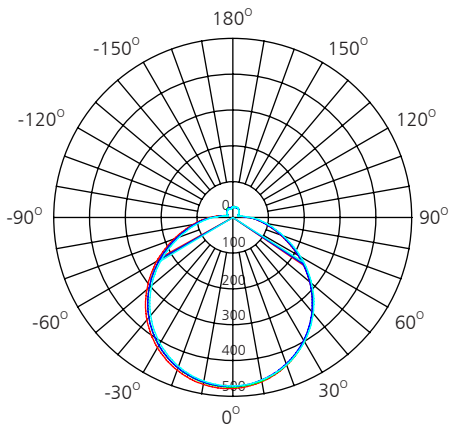
# Spectral Distribution



# Photometric Diagram



# Polar Diagram Comparison



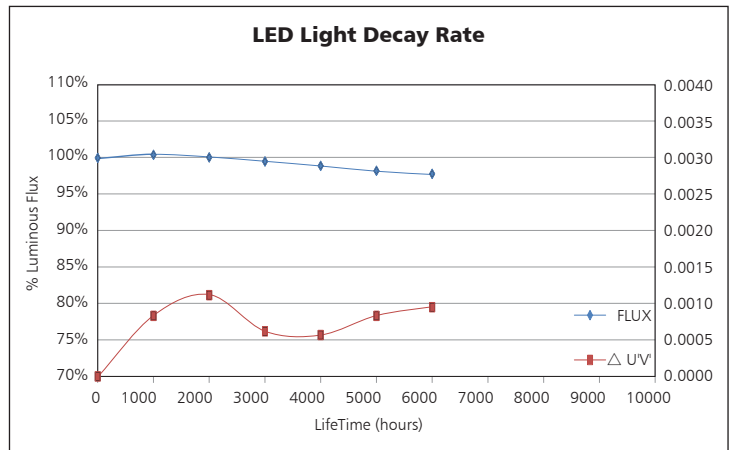
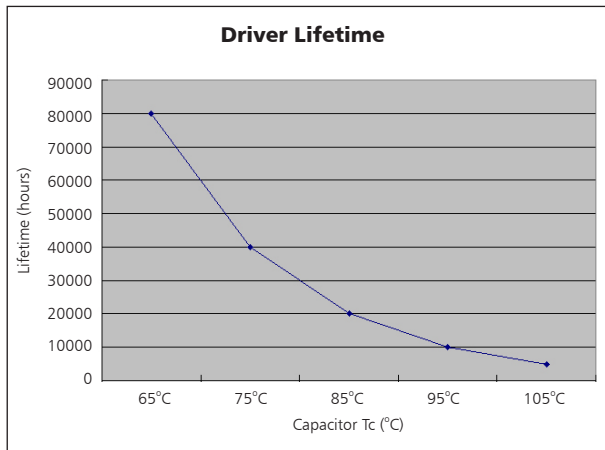
UNIT: cd

- C0/180, 116.8 deg
- C30/210, 116.7 deg
- C60/240, 116.6 deg
- C90/270, 116.5 deg



AVERAGE BEAM ANGLE (50%): 116.7DEG

# Driver lifetime & LED light decay rate

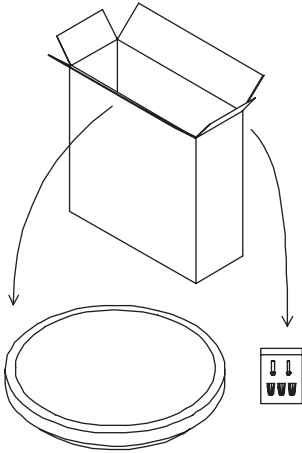
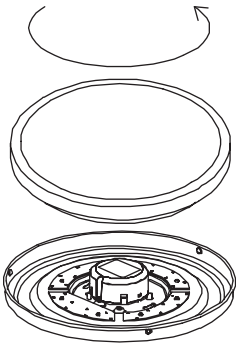
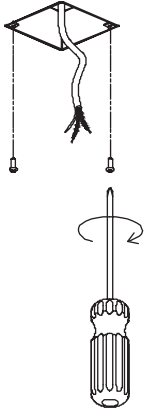
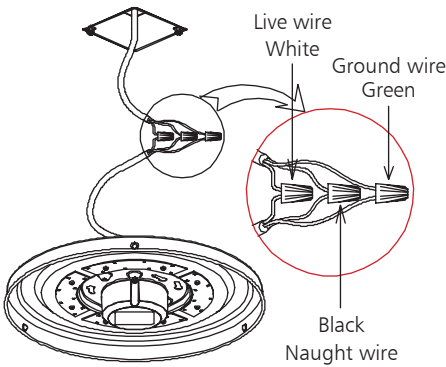
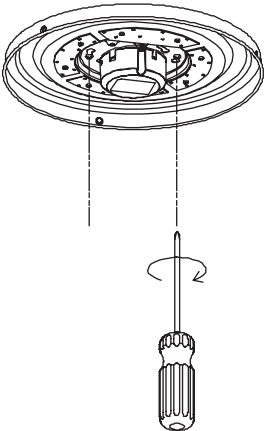
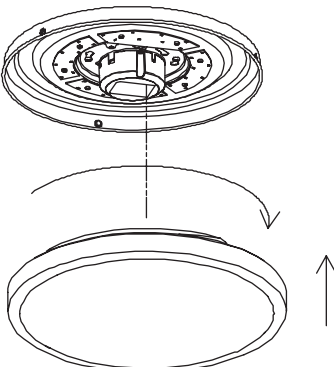
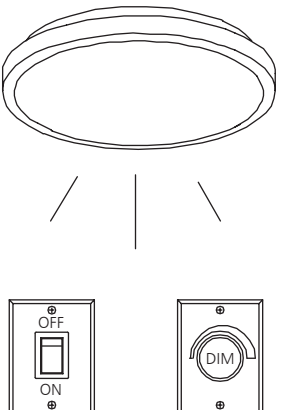


# Temperature

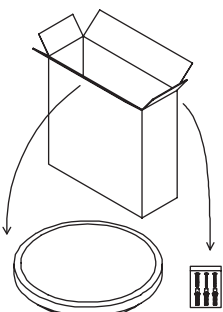
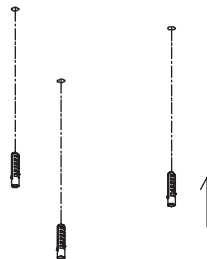
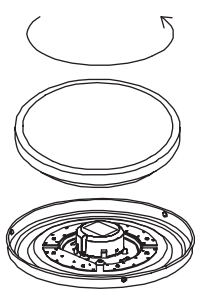
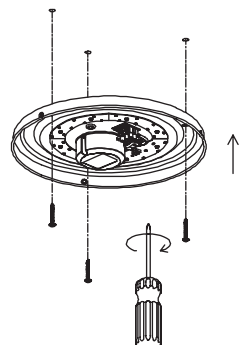
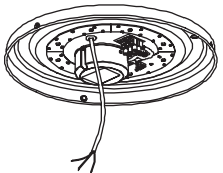
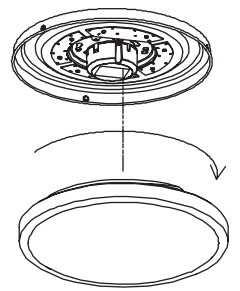
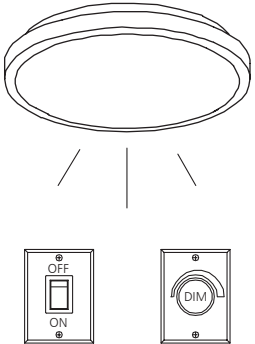
- The testing is operated at 25°C
- The lifetime of capacitor, minimum of 5,000 hours if operated at 105°C, will be doubled whenever the temperature drops 10°C
- The highest withstand temperature of IC, MOS could be 120°C
- The highest withstand temperature of LED junction temperature is 150°C

The driver lifespan is based on capacitor working temperature.

# Installation (US)

 <p>Unbox ceiling light and accessory pack. 1</p>	 <p>Rotate to separate lamp shade and base plate. 2</p>	 <p>Fix screw on junction box. 3</p>
 <p>Switch off, wiring "live", "Neutral" and "Ground" by terminal cap respectively. 4</p>	 <p>Surface mount the base plate to ceiling by fasten screw. 5</p>	
 <p>Rotate to unite the lamp shade and the base plate. 6</p>	 <p>Finish 7</p>	

## Installation (EU)

<p>Unbox ceiling light and accessory pack.</p>  <p>1</p>	<p>Knock-in the plastic anchor into ceiling.</p>  <p>2</p>	<p>Rotate to separate lamp shade and base plate.</p>  <p>3</p>
<p>Surface mount the base plate to ceiling.</p>  <p>4</p>	<p>Switch off, wiring "live", "Neutral" and "Ground" by terminal cap respectively.</p>  <p> <span style="color: brown;">■</span> L=BROWN  <span style="color: blue;">■</span> N=BLUE  <span style="color: green;">■</span> ⊕=YELLOW GREEN         </p> <p>5</p>	
<p>Rotate to unite the lamp shade and the base plate.</p>  <p>6</p>	<p>Finish.</p>  <p>7</p>	

## Packaging Information

	SIZE(CM)	N.W/pc (KGS)	G.W.(KGS)	Q'TY(PCs)
Carton	75*40*41	1.29	8.15	5

	CTNS	Q'TY(PCs)	VOLUME(CBM)
20" standard container	210	1050	28
40" standard container	420	2100	56

