



wireless transmission
technology



Technical Application Guide for UP-SHINE LED Ceiling light

UP-AL02-14-25W-AD

Introduction



Up-shine Oystar ceiling light adopts high lumen SMD LED, PC diffuser with even light output. High PF LED driver with Triac dimmable function, 120° wide beam angle.

- Up to 70% energy saving compared to standard CFL
- Long lifetime of 40,000 hours
- Dimmable when using 2.4G remote controller
- 120° wide beam angle
- CCT: 2700K~6500K
- No UV/IR light
- Environment friendly, without Mercury or any other hazardous substances

Application notes

- IP20 for indoor use
- Professional electrician for installation only
- Switch off before installation
- Do not touch when in use
- Keep away from hot steam and corrosive gas

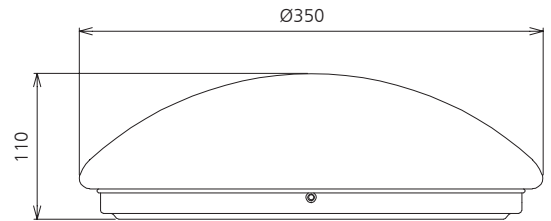
Application Areas

Suitable for commercial and residential applications like office, supermarket, shop, school, hotel, restaurant, workshop, warehouse, home etc.

Certificate



Product Information



Technical Specifications

Model	Voltage	Power	Power Factor	Lumen (±5%)	Beam angle	CCT	Lifespan	CRI	Dimmable	Dimension
UP-AL02-14-25W-AD	AC100-240V	25W	≥0.9	0~1680	120°	2700~6500K	40000h	≥80	Yes	Ø350*110mm

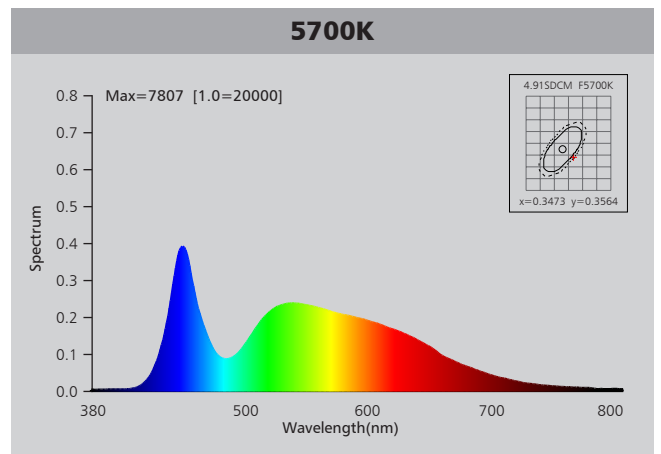
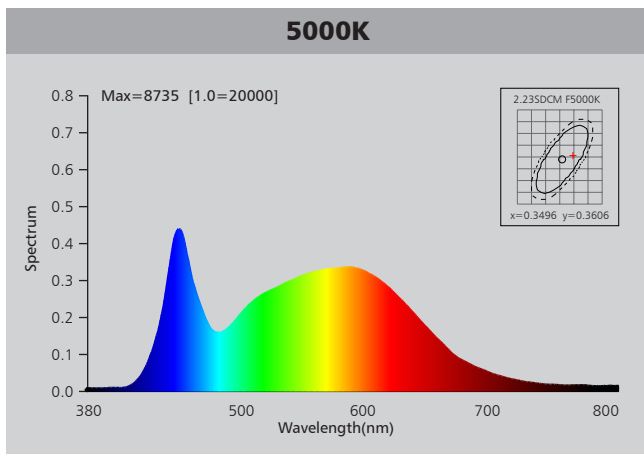
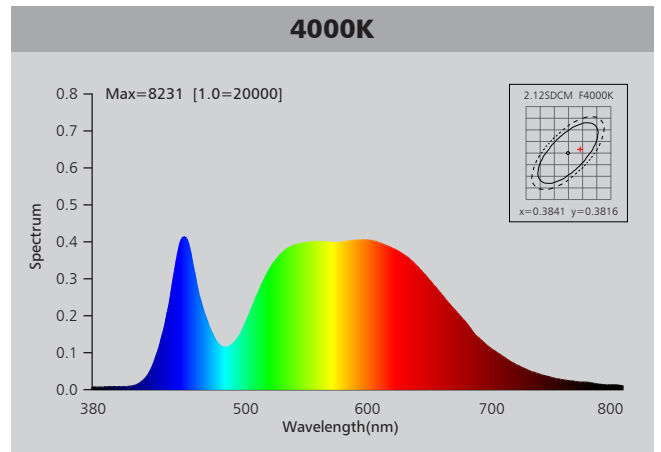
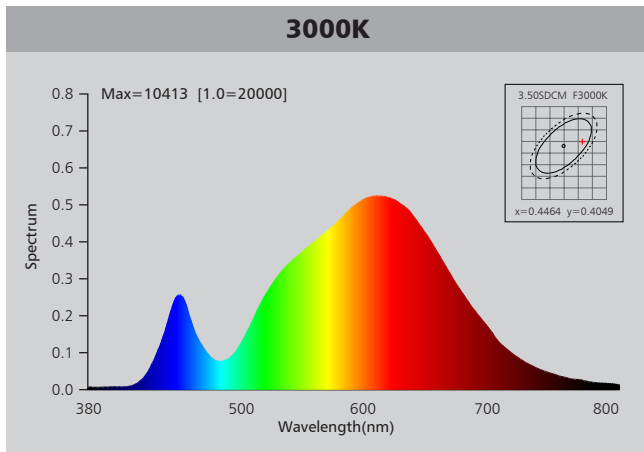
Driver data Sheet

Driver data	DIM
Input rated Voltage	AC100-240V
Frequency	50/60Hz
Input Voltage	AC85-265V
Efficiency	≥85%
Total load Wattage	25W±5%
Power Factor	≥0.9
Rated input current	≤0.28A
Full load output Voltage	DC54-90V
Rated output current	0-280mA
Power tolerance	±5%
Current output tolerance	±5%
Dimming range	0%-100%
Dimmer	2.4G.RF
Short circuit protection	PASS
Over voltage protection	PASS
Over temperature protection	PASS
Withstand voltage	AC1500V

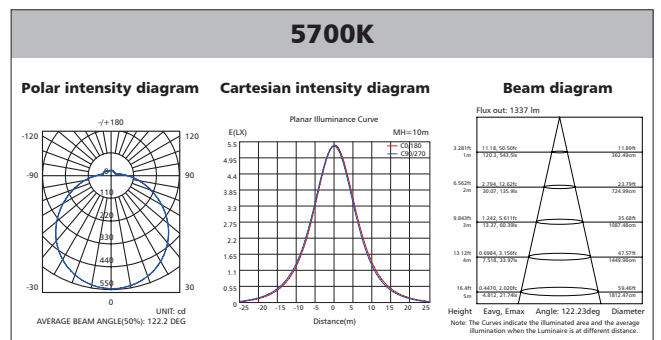
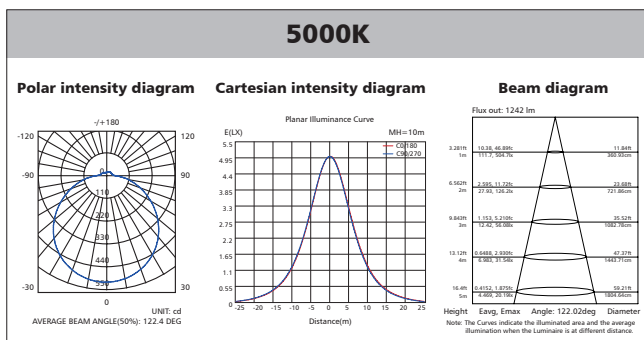
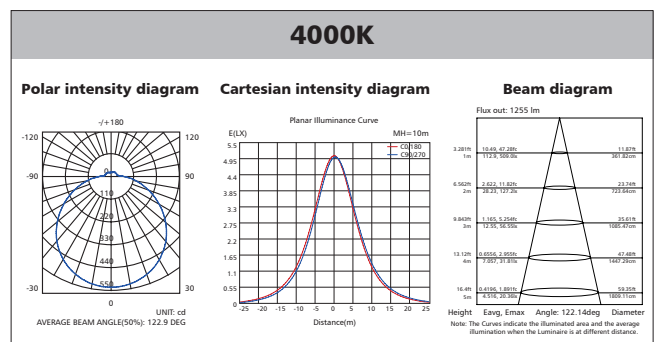
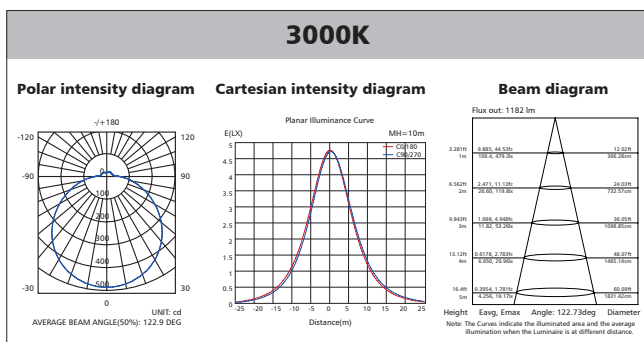
Fixture Compatibility

Rated Wattage	Electrical Classification	Ingress Protection	Operating Temp	Operating Humidity	Storage Temp
25W	I	IP20	-20°C~45°C	0~90%	-20°C~65°C

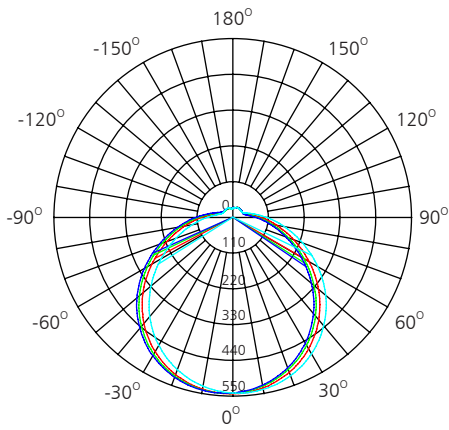
Spectral Distribution



Photometric Diagram



Polar Diagram Comparison



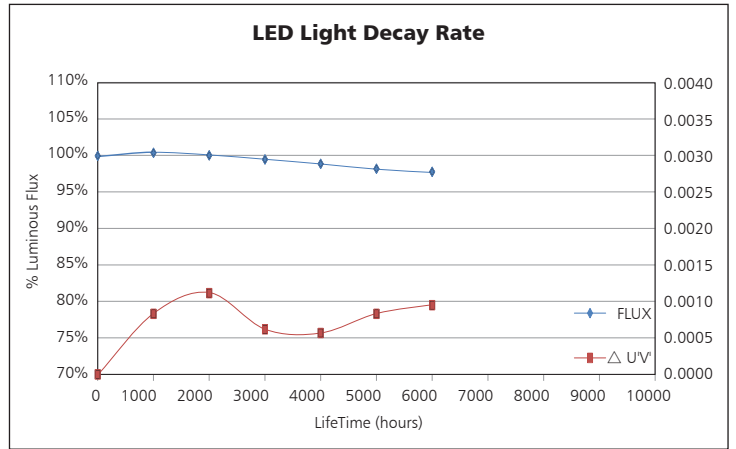
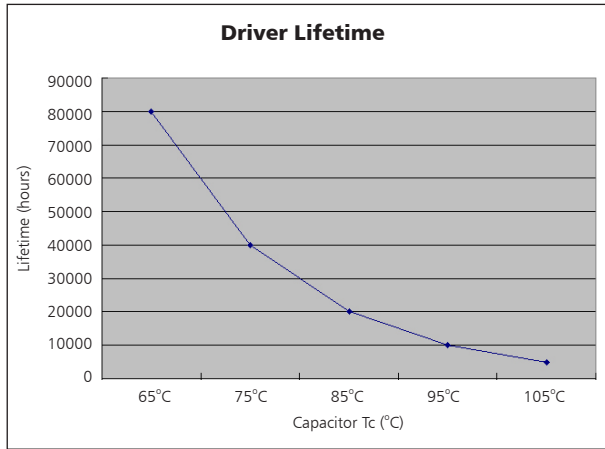
UNIT: cd

- C0/180, 122.3 deg
- C30/210, 122.0 deg
- C60/240, 122.1 deg
- C90/270, 122.2 deg



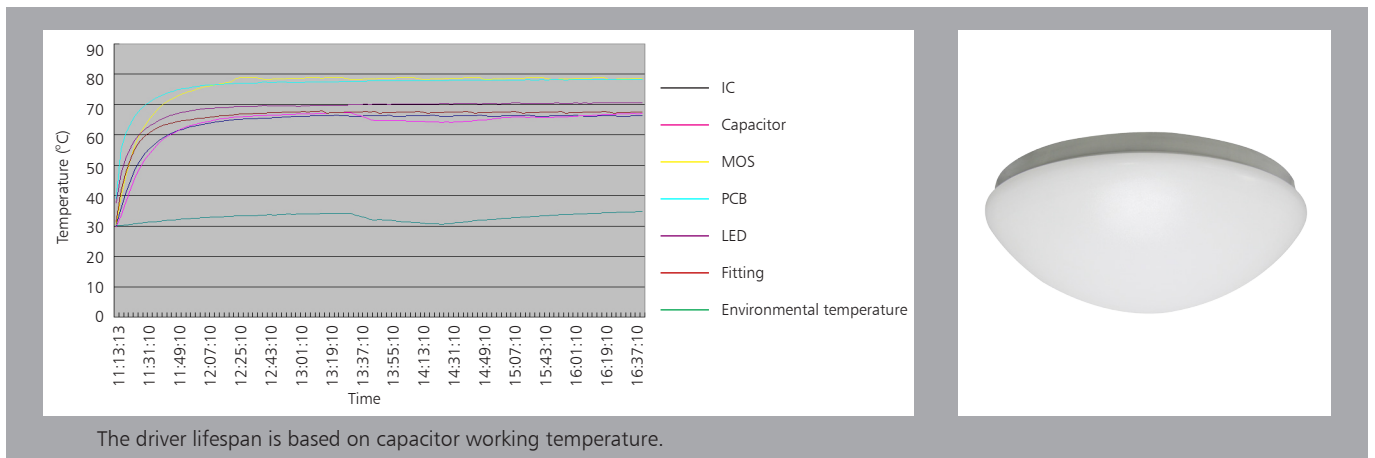
AVERAGE BEAM ANGLE (50%): 122.2DEG

Driver lifetime & LED light decay rate



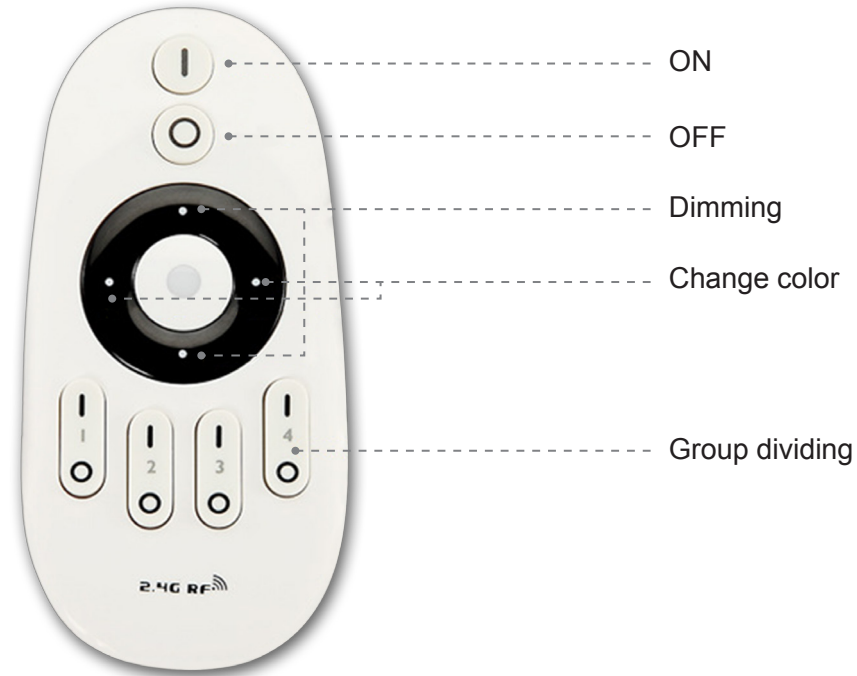
Temperature

- The testing is operated at 25°C
- The lifetime of capacitor, minimum of 5,000 hours if operated at 105°C, will be doubled whenever the temperature drops 10°C
- The highest withstand temperature of IC, MOS could be 120°C
- The highest withstand temperature of LED junction temperature is 150°C






Adopting 2.4 G high frequency wireless remote control, this light enjoys the characters of low power consumption, far transmission distance, strong anti-interference capacity, high communication rate. It can be used as night light, the lamp enjoy the memory function. (when the light was turned off, it will memorize the brightness before you turn off)







operation instruction:

1. code matching and group dividing: the remote control can be used when the code is matched with the LED light, method as follows:

Install the led light, select the light which you want to control in one group, reconnect power after turn off ten seconds, long press the corresponding on button  In the moment of turning on the power (within three seconds), LED lights will flash three times, matching confirmed and grouping successful. Repeat the above steps until all lights intended to group are grouped.

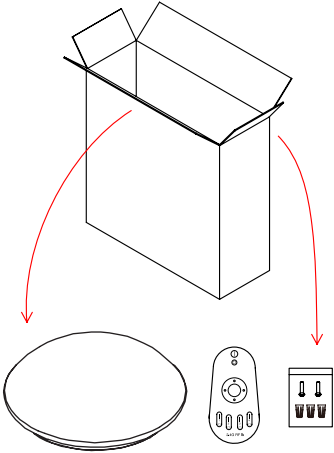
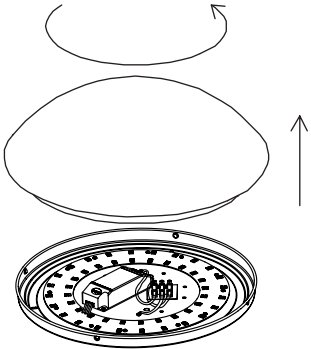
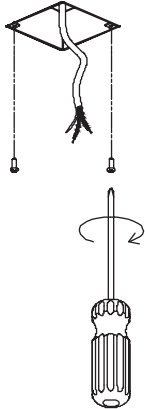
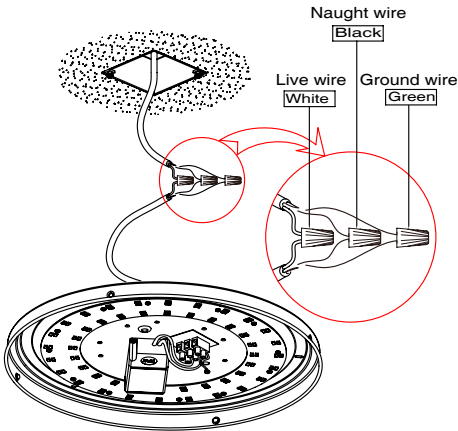
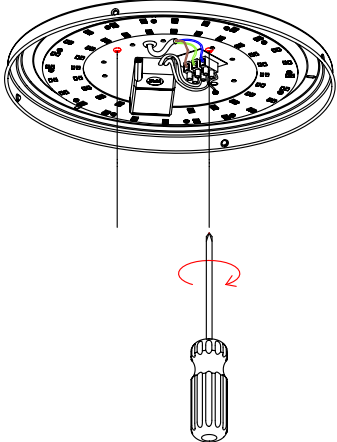
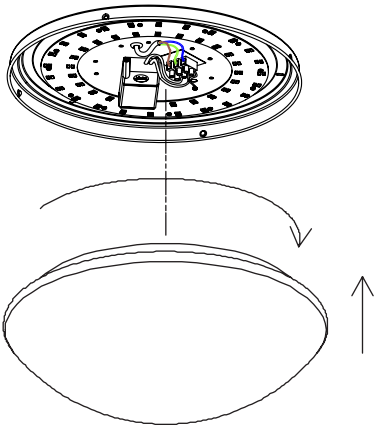
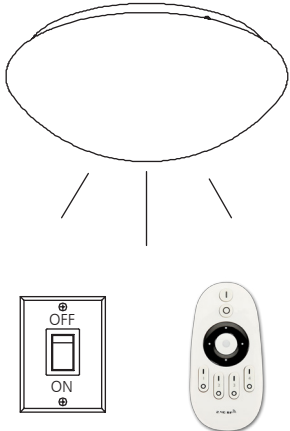
Remark: each led light only matches one group of one remote control ,one remote control can match numerous led lights,but one led light can be accepted four or less remote control matching at the same time .

2. code clearing and group redividing :you need to clear the old code of the led light when you want to regroup these lights ,method as follows:

Select the light you want to clear the code ,reconnect power after cutting off ten seconds, long press the corresponding on button  or the corresponding button ON    (3-5 seconds) in the moment of turning on the power (within three seconds). the light will flash six times and confirm clearing code successfully.

The group-redividing operation after clearing the code successfully with the same operation with the first step.

Installation (US)

 <p>Unbox ceiling light and accessory pack. 1</p>	 <p>Rotate to separate lamp shade and base plate. 2</p>	 <p>Fix screw on junction box. 3</p>
 <p>Switch off, wiring "live", "Neutral" and "Ground" by terminal cap respectively. 4</p>	 <p>Surface mount the base plate to ceiling by fasten screw. 5</p>	
 <p>Rotate to unite the lamp shade and the base plate. 6</p>	 <p>Finish 7</p>	

Installation (EU)

1 Unbox ceiling light and accessory pack.

2 Knock-in the plastic anchor into ceiling.

3 Rotate to separate lamp shade and base plate.

4 Surface mount the base plate to ceiling.

5 Switch off, wiring "live", "Neutral" and "Ground" by terminal cap respectively.

6 Rotate to unite the lamp shade and the base plate.

7 Finish.

■ L=BROWN
■ N=BLUE
■ ⊕=YELLOW GREEN

Packaging Information

	SIZE(CM)	N.W/pc (KGS)	G.W.(KGS)	Q'TY(PCs)
Carton	75*40*41	1.1	7	5

	CTNS	Q'TY(PCs)	VOLUME(CBM)
20" standard container	210	1050	28
40" standard container	420	2100	56

