



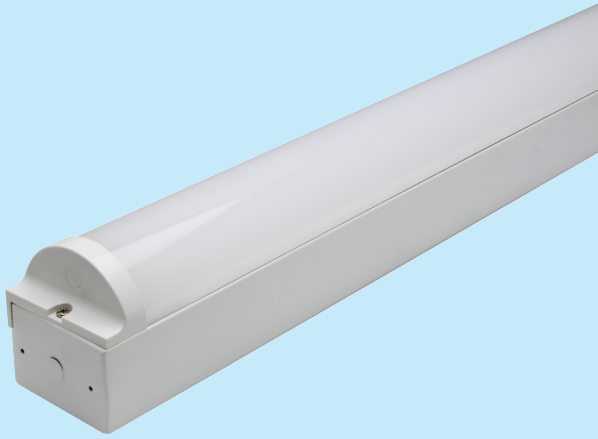
Up-shine[®] Lighting



Technical Application Guide for UP-SHINE LED Linear

UP-DB09-1200-25W

Introduction



DB09 LED Linear is mainly designed for Oceania and European market, 2835 high lumen SMD LED chip been used to achieve 105lm/W efficiency. IP54 waterproof structural design, ideal replacement for damp location. Elegant design with 3 types of installation: suspended, surface mounted and recessed, suitable for meeting room, office, school, hospital etc commercial lighting applications.

- Aluminum components generate a rust-free product for less maintenance
- PC Diffuser
- Up to 70% energy saving compared to standard CFL
- Environment friendly, without Mercury or any other hazardous substances

Application notes

- IP54 for indoor use only
- The lamp must be installed by professional electrician
- Ensure the power supply is switched off before fitting this product
- Do not touch the lamp when in use
- Keep away from hot steam and corrosive gas

Application Areas

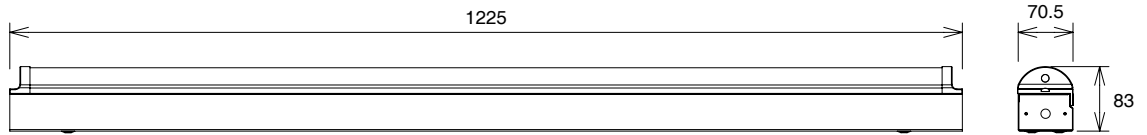
Widely used in office, meeting room, hotel, school etc.

Certificate

CE RoHS



Product Information



Technical Specifications

Model	Voltage	Power	Power Factor	Lumen (±5%)	Beam angle	CCT	Lifespan	CRI	Dimmable	Dimension
UP-DB09-1200-25W	AC100-277V	25W	≥0.9	2500	120°	3000K	40000h	≥80	No	L1225*W70.5*H83mm
UP-DB09-1200-25W	AC100-277V	25W	≥0.9	2620	120°	4000K	40000h	≥80	No	L1225*W70.5*H83mm
UP-DB09-1200-25W	AC100-277V	25W	≥0.9	2580	120°	5000K	40000h	≥80	No	L1225*W70.5*H83mm
UP-DB09-1200-25W	AC100-277V	25W	≥0.9	2550	120 ^{ov}	5700K	40000h	≥80	No	L1225*W70.5*H83mm

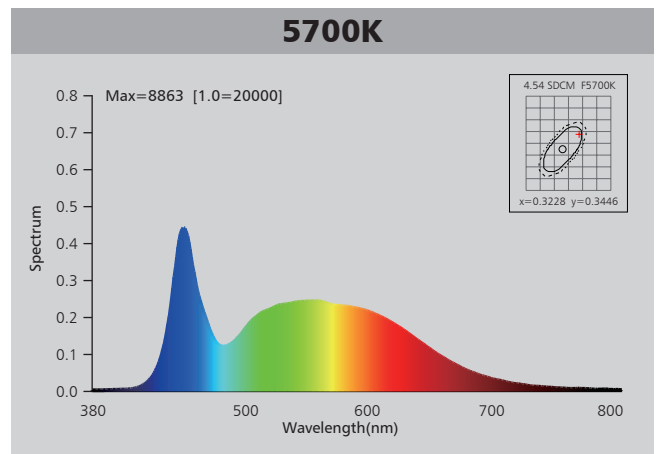
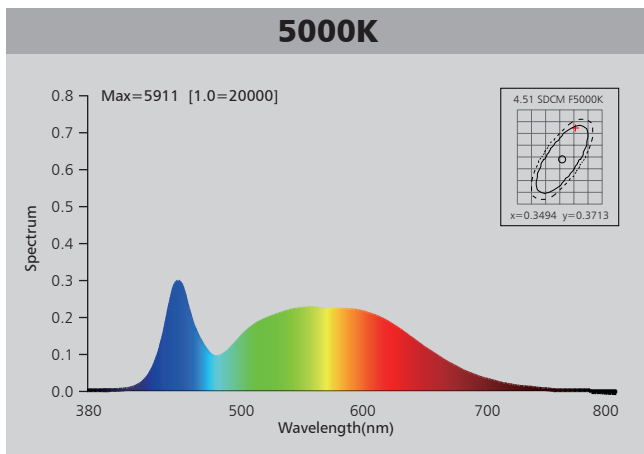
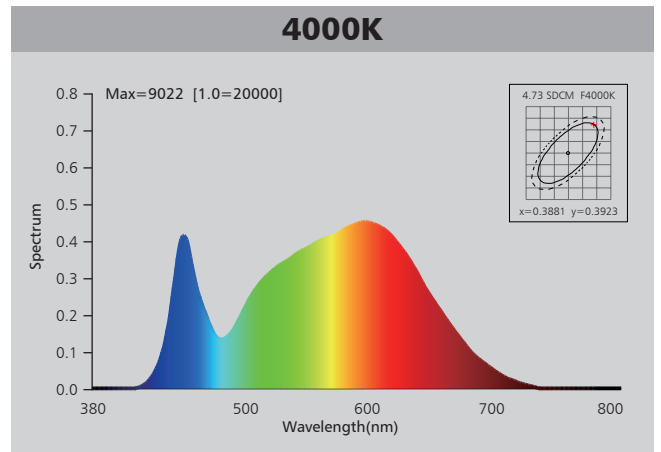
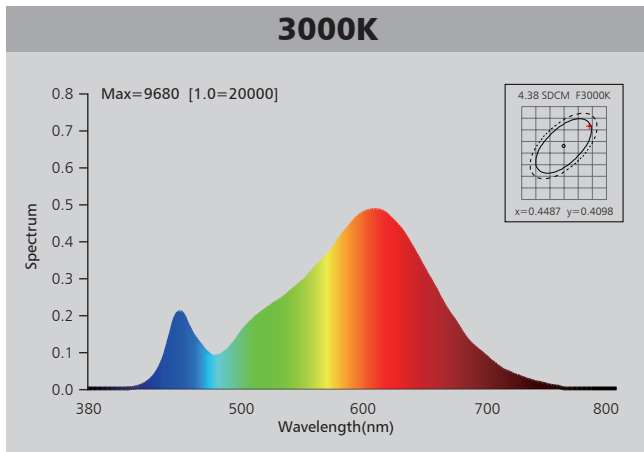
Driver data Sheet

Driver data	Main Power
Input rated Voltage	AC100-277V
Frequency	50/60Hz
Input Voltage	AC90-305V
Efficiency	≥88%
Total load Wattage	25W±5%
Power Factor	≥0.9
Rated input current	≤0.3A
Full load output Voltage	60-75V
Rated output current	310mA
Output current range	310mA±5%
Power tolerance	±5%
Current output tolerance	±5%
Short circuit protection	PASS
Over voltage protection	PASS
Over temperature protection	PASS
THD	<17% AC230V
Withstand voltage	AC1500V

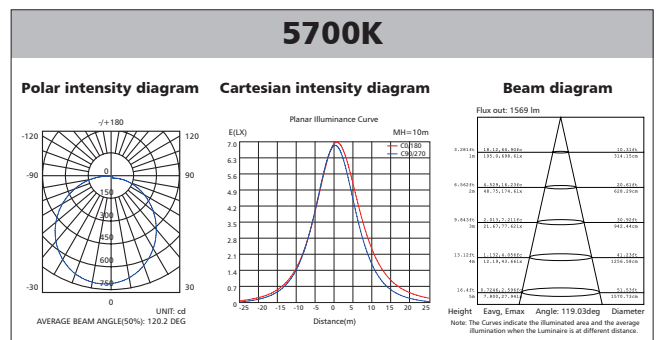
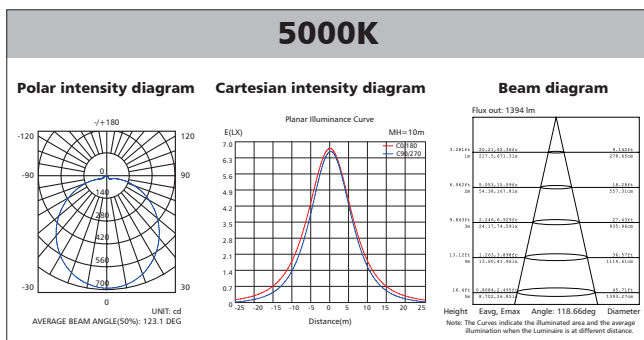
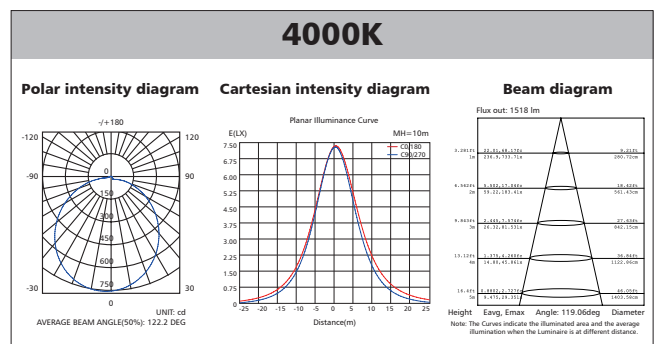
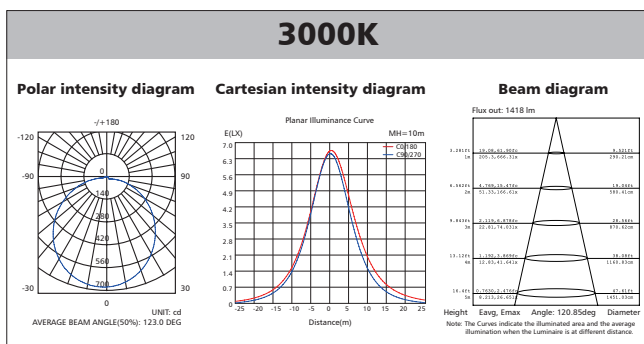
Fixture Compatibility

Rated Wattage	Electrical Classification	Ingress Protection	Operating Temp	Operating Humidity	Storage Temp
25W	I	IP54	-20°C~45°C	0~90%	-20°C~65°C

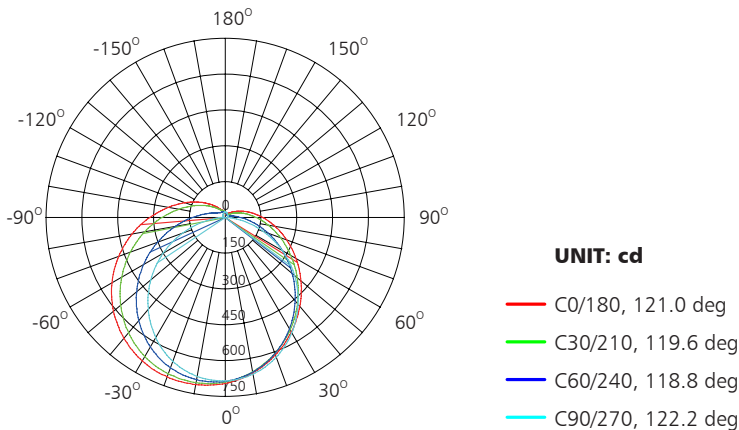
Spectral Distribution



Photometric Diagram

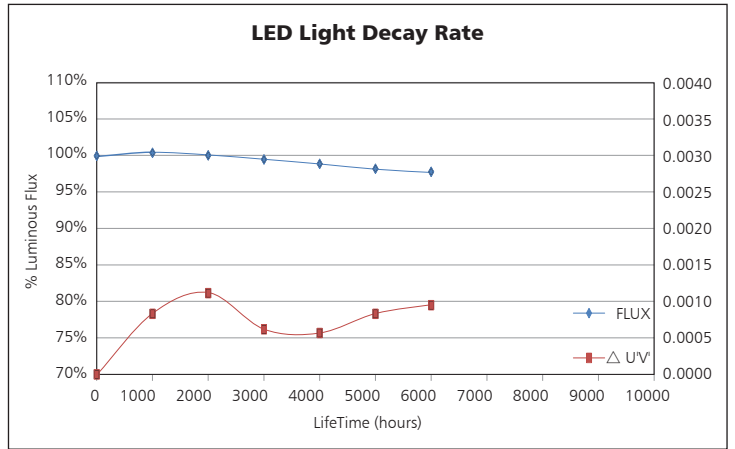
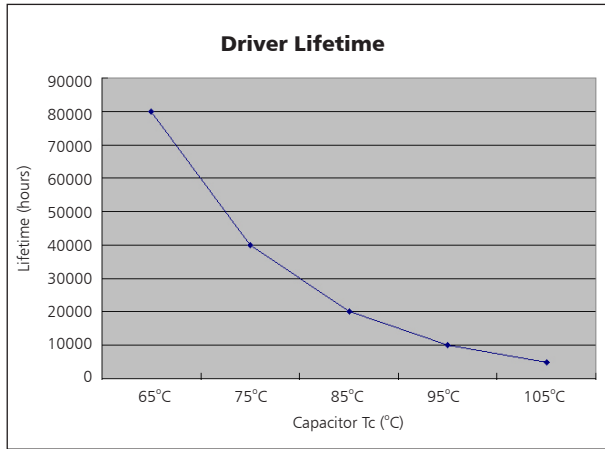


Polar Diagram Comparison



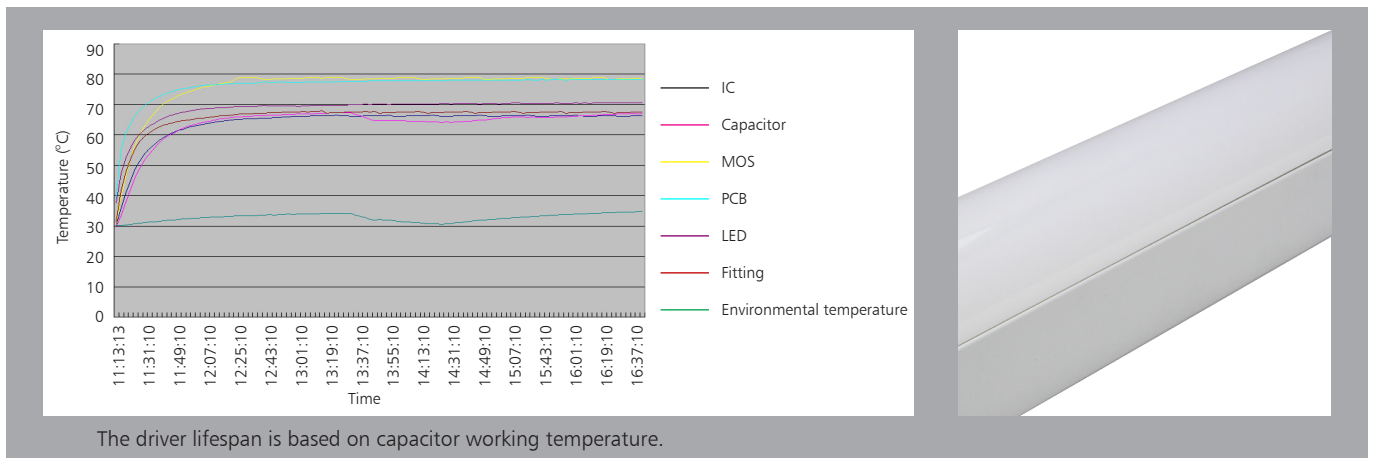
AVERAGE BEAM ANGLE (50%): 122.2DEG

Driver lifetime & LED light decay rate

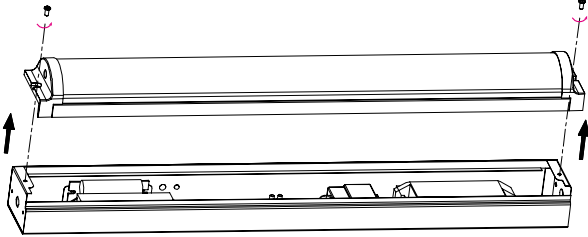
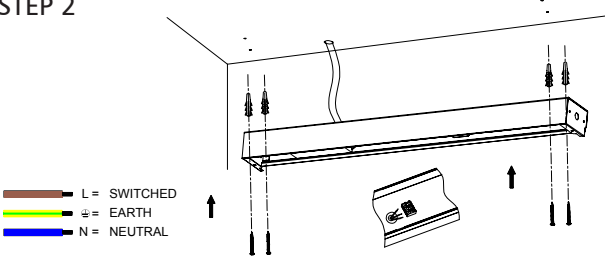
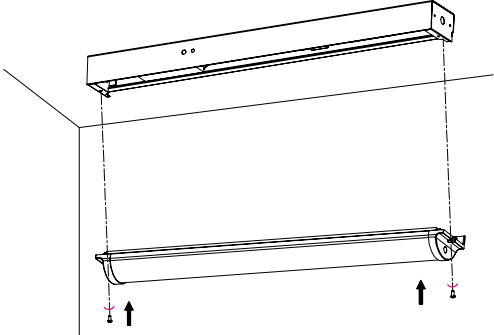
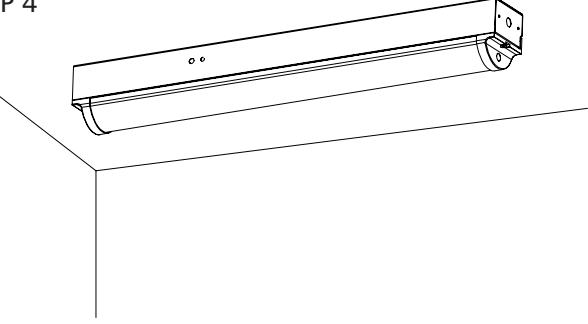


Temperature

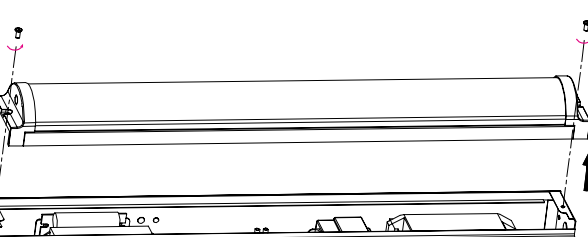
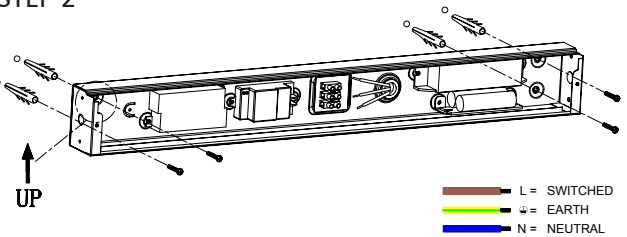
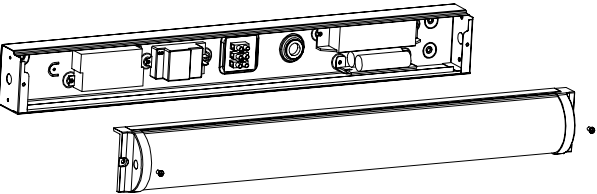
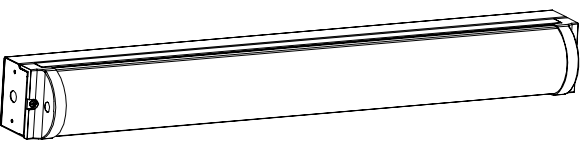
- The testing is operated at 25°C
- The lifetime of capacitor, minimum of 5,000 hours if operated at 105°C, will be doubled whenever the temperature drops 10°C
- The highest withstand temperature of IC, MOS could be 120°C
- The highest withstand temperature of LED junction temperature is 150°C



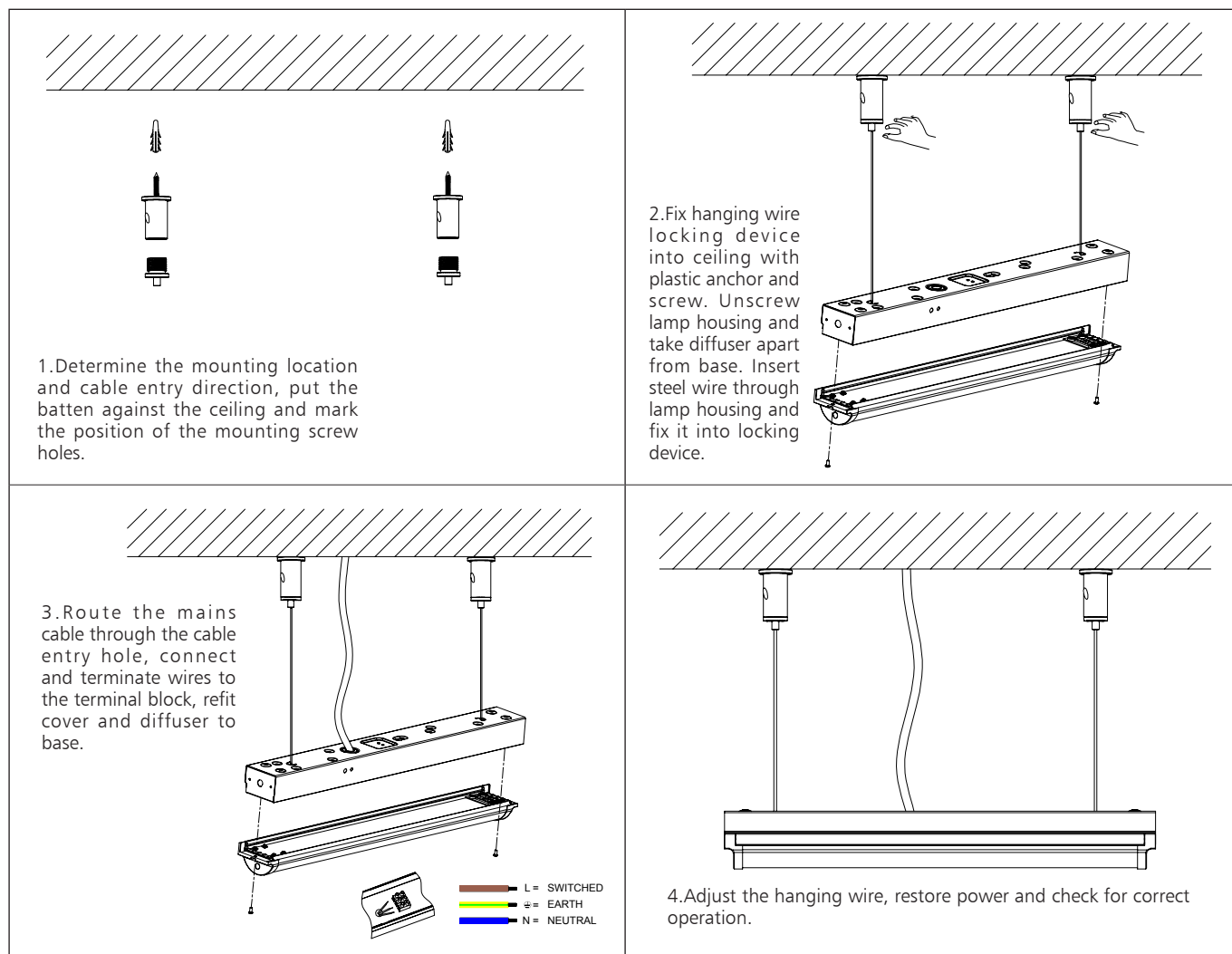
Surface mount

<p>STEP 1</p>  <p>1.Remove the diffuser and cover as show in figure 1.</p>	<p>STEP 2</p>  <p>2.Determine the mounting location and cable entry direction, put the batten against the ceiling and mark the position of the mounting screw holes. Fix lamp base into ceiling with plastic anchor and screw as shown in figure 2.Route the mains cable through the cable entry hole, connect and terminate wires to the terminal block.</p>
<p>STEP 3</p>  <p>3.Refit the cover and diffuser to base.</p>	<p>STEP 4</p>  <p>4.Restore power and check for correct operation.</p>

wall mount

<p>STEP 1</p>  <p>1.Remove the diffuser and cover as show in figure 1.</p>	<p>STEP 2</p>  <p>2.Determine the mounting location and cable entry direction, put the batten against the ceiling and mark the position of the mounting screw holes. Secure the batten to the ceiling with screw. Route the mains cable through the cable entry hole, connect and terminate wires to the terminal block.</p>
<p>STEP 3</p>  <p>3.Refit the cover and diffuser to base.</p>	<p>STEP 4</p>  <p>4.Restore power and check for correct operation.</p>

Suspend install



Packaging Information

	SIZE(CM)	N.W/pc (KGS)	G.W.(KGS)	Q'TY(PCS)
Carton	125*36.5*22.5	2.5	24.5	8

	CTNS	Q'TY(PCS)	VOLUME(CBM)
20" standard container	270	2160	28
40" standard container	540	4320	56

